

INSTALLATION GUIDE

Model 315W Wine Storage



Contents

Model 315W Wine Storage	3
Model 315W Specifications	4
Model 315W Installation	6
Installation Checklist	10
Service Information	11

Features and specifications are subject to change at any time without notice. Visit subzero.com/specs for the most up-to-date information.

IMPORTANT NOTE: Throughout this guide, dimensions in parentheses are millimeters unless otherwise specified.

Important Note

To ensure the safe and efficient installation of Sub-Zero equipment, please take note of the following types of highlighted information throughout this guide:

IMPORTANT NOTE highlights information that is especially relevant to a problem-free installation.

CAUTION signals a situation where minor injury or product damage may occur if instructions are not followed.

WARNING states a hazard that may cause serious injury or death if precautions are not followed.



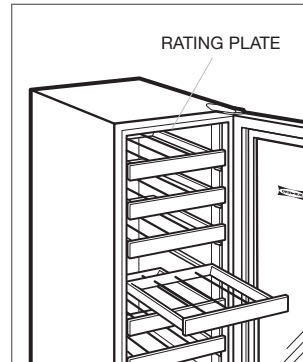
Model 315W Wine Storage

IMPORTANT NOTE: The importance of the installation of the undercounter wine storage unit cannot be overemphasized. Installation must be completed by a qualified installer.

Read this entire installation guide prior to installation. There are key details that you should observe during the installation to make the process easier, problem-free and, most importantly, safe. The homeowner should keep this installation guide for future reference.

Any questions or problems regarding the installation should be directed to your authorized Sub-Zero dealer or Sub-Zero customer care at 800-222-7820. You may also check the contact & support section of our website, subzero.com.

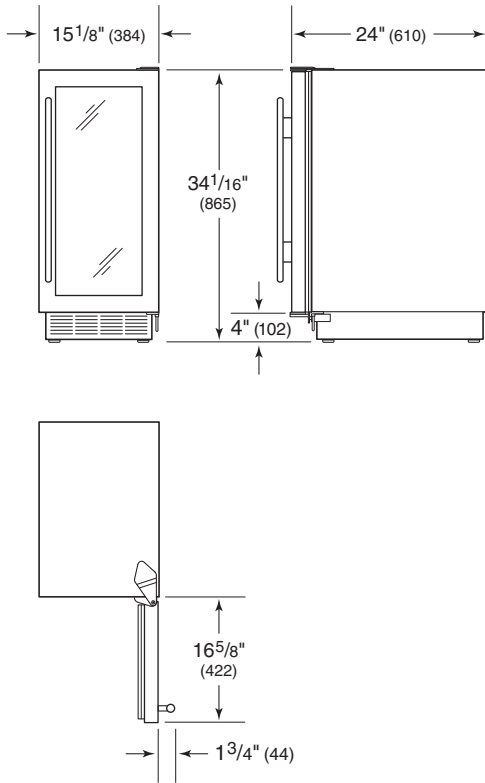
Important product information, including the model and serial number of your unit are listed on the product rating plate, located on the underside of the top wall. Refer to the illustration.



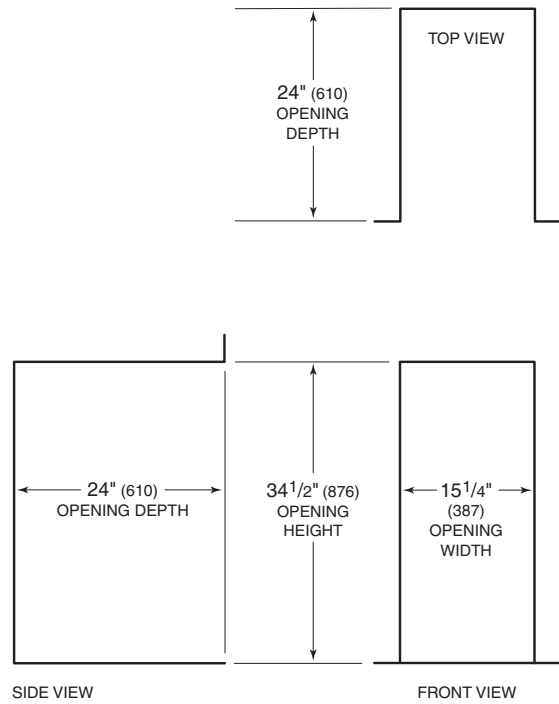
Location of rating plate.

Model 315W Specifications

OVERALL DIMENSIONS



INSTALLATION



Overall dimensions are based on stainless steel panels and handles.

NOTE: Door swing is not reversible.

IMPORTANT NOTE: It is recommended that the electrical supply be placed in an adjacent cabinet. If it is placed within the opening, additional cabinet depth may be required.

Specifications	
Wine Storage Capacity	26 bottles (750 ml)
Shipping Weight	118 lbs (54 kg)

Area Requirements

Before moving the unit into place, make sure the opening dimensions, door clearance and electrical service are correct. Refer to the illustrations on the previous page.

IMPORTANT NOTE: For corner installations, door swing may be limited due to handle contact with the adjacent wall or cabinet. You must allow a minimum of 2" (51) from the wall for a 90° door opening. This will ensure that the wine shelves can be fully extended.

⚠ CAUTION
 Wine bottles are heavy. A fully loaded unit will weigh over 200 lbs (91 kg). Be sure the subflooring is adequate for the weight of both the unit and its contents.

⚠ WARNING
 Model 315W is intended for indoor use only.

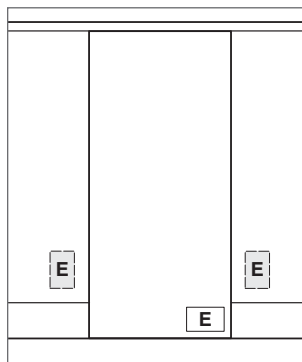
Electrical Requirements

Model 315W must be installed with adequate clearance for electrical connection at the rear of the unit. The electrical supply requires installation of a grounded receptacle on a separate circuit, servicing only this appliance. A ground fault circuit interrupter (GFCI) is not recommended and may cause interruption of operation. Follow the National Electrical Code and local codes and ordinances when installing the receptacle.

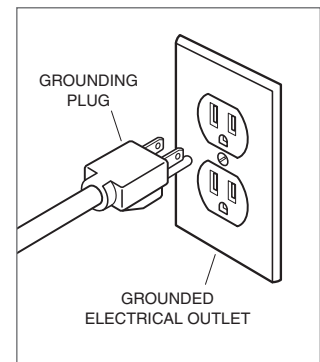
IMPORTANT NOTE: Although it can be located anywhere on the back wall, it is recommended that the receptacle be placed in an adjacent cabinet or in the lower right of the opening. If it is placed within the opening, additional cabinet depth may be required. Refer to the illustrations below.

⚠ WARNING
 Do not use an extension cord or two-prong adapter. Electrical ground is required on this appliance.

Electrical Requirements	
Power Supply	115 V AC, 60 Hz
Receptacle	3-prong grounding-type
Circuit Breaker	15 amp



Location of electrical supply.



Electrical ground.

Unpack the Unit

Before moving the wine storage unit into position, make sure the opening dimensions and electrical requirements are complete and accurate.

IMPORTANT NOTE: The floor under the wine storage unit must be at the same level as the surrounding finished floor to allow for removal of the unit for servicing.

Use an appliance dolly to move the wine storage unit near the installation opening. Position the dolly at the side of the unit to prevent damage to finished surfaces. Remove and discard all packing materials and tape.

IMPORTANT NOTE: Do not discard the kickplate, anti-tip bracket and hardware. These items will be needed for the installation.

The roller-assembly wine shelves should be removed to reduce weight and prevent them from rolling. To remove, pull the shelf out to its full extension, gently and evenly lift up on both sides of the front of the shelf and remove. Reverse the procedure to reinstall the shelf.

⚠ CAUTION

Before moving the wine storage unit into position, protect any finished flooring with appropriate materials and secure the door closed.

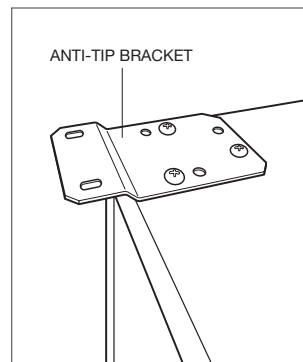
Anti-Tip Bracket

⚠ WARNING

To prevent the unit from tipping forward and provide a stable installation, the unit must be secured in place with the anti-tip bracket.

An anti-tip bracket and hardware is provided with model 315W. Placement of the anti-tip bracket is critical to a stable installation. The anti-tip bracket must be installed securely.

Attach the anti-tip bracket to the top of the unit, opposite the hinge side. The bracket offset flange should be facing up with the two oblong holes in the front. Once the unit is moved into position, open the door and secure the anti-tip bracket to the countertop. Refer to illustration below.



Anti-tip bracket.

Installation

IMPORTANT NOTE: If the wine storage unit has been laid on its back or side, you must allow the unit to stand upright for a minimum of 24 hours before connecting power.

With the wine storage unit near the installation opening, plug the power supply cord into the electrical outlet. With power applied to the unit, check for lighting and cooling. Once you are satisfied that the unit is operating properly, shut off power to the electrical outlet at the circuit breaker and proceed.

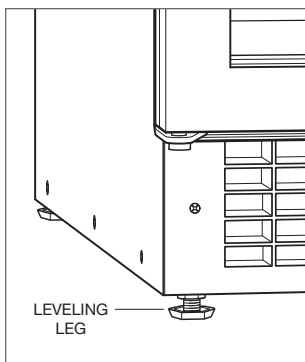
⚠ WARNING

Shut off power to the electrical outlet.

LEVEL THE UNIT

Level the wine storage unit before sliding it into position. Leveling cannot be completed with the unit pushed back in the installation opening.

Using an adjustable wrench or pliers, turn each of the four leveling legs clockwise to raise the unit and counterclockwise to lower the unit. For the location of the leveling legs, refer to the illustration below.



Adjust leveling legs.

To determine the horizontal or vertical level point, place a 2' (.6 m) level along the top of the unit or on either exterior side of the unit. In order to access these leveling positions, the unit will have to be slightly out of the opening.

⚠ WARNING

To reduce the possibility of the unit tipping forward, the front leveling legs must be in contact with the floor.

POSITION THE UNIT

Slide the wine storage unit back into position in the installation opening.

IMPORTANT NOTE: Model 315W has been designed to be serviced in place, but in some cases it may be necessary to pull the unit out for service.

If a floor is to be installed after the unit has been installed, spacing shims equal to the thickness of the floor should be installed under the unit to keep it level with the floor.

Turn power back on to the electrical outlet.

Kickplate

INSTALL KICKPLATE

Once the wine storage unit is in position, install the kickplate using the screws provided. Refer to the illustration. There is some adjustment to the mounting assembly so that the kickplate will fit flush with the surrounding area.

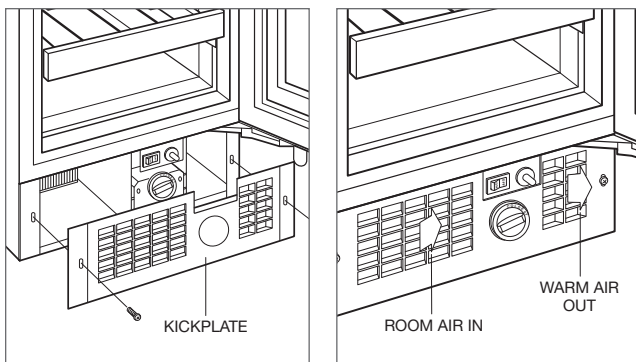
The kickplate must be removed for servicing. The floor cannot interfere with removal. Do not cover the vents of the kickplate to allow proper airflow.

If you choose, the kickplate may be painted another color. Follow these steps: Rough up the surface to be painted with fine grit sandpaper. Wipe with alcohol to ensure that the surface is clean and dry. Use an appliance or industrial grade, oil base, high gloss enamel paint.

KICKPLATE AIRFLOW

Model 315W uses a fan to take in room air through vents in the left side of the kickplate, and discharges warm air through vents in the right side. These vents must be kept clear of obstructions or decorative panels. Blocking or obstructing the kickplate will restrict airflow and cause a decrease in performance and efficiency. Refer to the illustration below.

IMPORTANT NOTE: The minimum air temperature the wine storage unit will operate in is 50°F (10°C), and the maximum is 100°F (38°C).



Install kickplate.

Kickplate airflow.

Panel Specifications

Model 315W is offered in two design applications; stainless steel (/S) and overlay (/O). Each of these designs have a full-view glass door.

The stainless steel model 315W/S is shipped from the factory with the decorative stainless steel door panel and matching handle in place.

The overlay model 315W/O is designed to accept a decorative door panel to match surrounding cabinetry. The door panel and handle will be provided by the customer. Refer to the chart for overlay panel specifications

For overlay panel handle hardware, we recommend a D-style handle, centered top to bottom along the edge opposite the hinge. You may have to countersink screw heads to ensure hardware does not interfere with panels fitting flush with unit doors.

Additional panel information can be found in the wine storage section of the Sub-Zero design guide, or check our website at subzero.com.

⚠ CAUTION

A solid panel cannot be installed over the glass door, as this may cause moisture to form behind the panel.

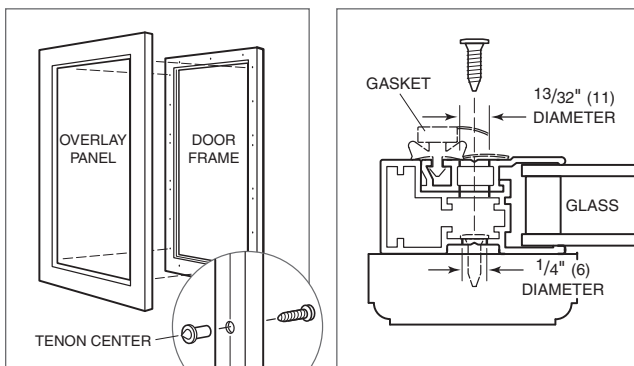
Panel Specifications		
OVERLAY PANEL	W	H
Panel Dimensions	15" (381)	30 ¹ / ₁₆ " (764)
Width of Rails and Stiles	2 ¹ / ₄ " (57) min	
Panel Thickness	5/8" (16) min	
Panel Weight	10 lbs (5 kg) max	

Overlay Panel Installation

Inspect the overlay door panel for minimum thickness, weight limit and finished inside edges. Decide if the handle will be attached through the glass door frame or just through the decorative door panel. If it is just through the door panel, the handle must be attached first.

The overlay panel is attached using #8 x $\frac{5}{8}$ " square drive screws passing through the door frame from the rear, behind the gasket into the panel. The panel is marked for screw locations by the use of tenon centers, which are temporarily inserted into the $\frac{1}{4}$ " (6) diameter holes in the front of the door frame. Refer to the illustration below.

With the unit secured in place and the door closed, hold the panel in the desired position on the door and rap by hand from the front, putting center marks on the rear surface of the panel. If the door panel is made of such a material that pre-drilling is needed, all of the mounting holes should be marked. If not, only enough holes to hold the panel in place temporarily, are necessary.



Tenon centers.

Door frame cross section.

Remove the door panel from the door frame and remove tenon centers. Open the door. Using the center marks to locate screws, drive the screws into the panel through the black tape on the door frame.

The screw holes inside the door are hidden under a cover flap on the door gasket. It is necessary to lift the flap to insert the screws. Use as many screws as necessary to hold the door panel in place securely.

IMPORTANT NOTE: After the first three or four mounting screws are in place, but not completely tightened, close the door and check the panel fit. This is the time to make small adjustments. Once you are satisfied with the appearance, open the door and add the rest of the screws. Check all screws for tightness.

The metal frame on the door has numerous mounting holes on each side of the door. This is to accommodate Sub-Zero accessory handles and provide for easy attachment of the handle through the door frame.

If you choose not to use the pre-drilled handle mounting holes, it will be necessary to fasten the handle from the rear of the door panel only, or drill one or more additional holes through the metal frame of the door.

The cross-section illustration shows how the hole passes through the door frame. The hole center is on the small locator groove in the front of the frame. A $\frac{1}{4}$ " (6) diameter hole is made in the front wall of the extrusion and a $\frac{13}{32}$ " (11) diameter hole through the rest of the frame.

⚠ CAUTION

Exercise caution when drilling holes for mounting the panel to the door frame.

Overlay Panel Installation

⚠ CAUTION

The model 315W glass door is made with a sealed, double-wall tempered glass core. The drill must not contact this core when drilling. Be sure the hole is centered on the small groove in the front of the door frame and the drill passes squarely through the frame. If you are inexperienced with drilling, fasten the handle from the rear of the door panel only.

IMPORTANT NOTE: Install screws in all the mounting holes in the door frame. The nature of the door panel with a narrow outer rim and no connecting center member requires the support provided by the glass door.

After the door panel installation is complete, apply the cover patches or plugs provided over the holes on the inside surface of the door.

⚠ CAUTION

The cover patches or plugs are part of the insulation system on the door of the wine storage unit. Be sure to cover all the holes in the door that were used.

Installation Checklist

To ensure a safe and proper installation, the following checklist should be completed by the installer to ensure that no part of the installation has been overlooked.

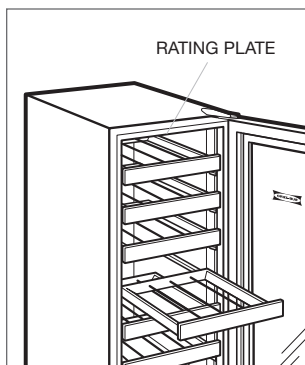
- Has all packing material been removed?
- Turn the unit on. Is it operating properly? If not, is the unit plugged in? Is the control turned on?
- Has the unit been secured in place with the anti-tip bracket?
- Is the unit level? Are all leveling legs making contact with the floor?
- Is the power cord plugged into a properly grounded 3-prong outlet, which has been installed in accordance with all applicable electrical codes?
- Is the kickplate installed properly?
- Is the door panel attached securely and properly aligned?
- Is the door aligned for proper appearance and operation?
- Have any installation or service problems been noted on the product registration card? Has the registration card been mailed in?
- Has the stainless steel door been inspected for any imperfections? This is to be done by the dealer or installer with the customer upon completion of the installation. Stainless steel panels are covered by a limited 60-day parts and labor warranty for cosmetic defects.

Service Information

If service is necessary, maintain the quality built into your wine storage unit by calling Sub-Zero factory certified service.

For the name and number of Sub-Zero factory certified service nearest you, check the contact & support section of our website, subzero.com or call Sub-Zero customer care at 800-222-7820.

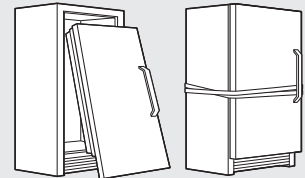
When calling for service, you will need the model and serial numbers of your unit. Both numbers are listed on the product rating plate, located on the underside of the top wall. Refer to the illustration below.



Location of rating plate.

▲ WARNING

If you are storing or disposing of your old refrigerator or freezer, please do it safely. Remove the doors or tightly secure the doors closed. Child entrapment accidents can be tragic.



The information and images in this guide are the copyright property of Sub-Zero, Inc. Neither this guide nor any information or images contained herein may be copied or used in whole or in part without the express written permission of Sub-Zero, Inc. ©Sub-Zero, Inc. all rights reserved.

Wolf, Wolf & Design, Wolf Gourmet, W & Design and the color red as applied to knobs are registered trademarks and service marks of Wolf Appliance, Inc. Sub-Zero, Sub-Zero & Design, Dual Refrigeration, Constant Care and The Living Kitchen are registered trademarks and service marks of Sub-Zero, Inc. (collectively, the "Company Marks.") All other trademarks or registered trademarks are property of their respective owners in the United States and other countries.



SUB-ZERO, INC. P. O. BOX 44848 MADISON, WI 53744 SUBZERO.COM 800.222.7820

7012206 REV-A

9/2011

