



Integrated Refrigeration Design Guide





Contents

- 3 Integrated Refrigeration
- 4 Specifications
- 8 Custom Panels
- 11 Full-Scale Template
- 13 Warranty

Features and specifications are subject to change at any time without notice. Visit subzero.com/specs for the most up-to-date information.

IMPORTANT NOTE: Throughout this guide, dimensions may vary by $\pm 1/8"$ (3). Dimensions in parentheses are millimeters unless otherwise specified.

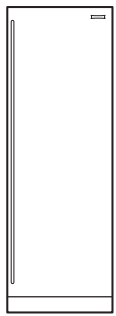
Integrated Refrigeration

With custom front panels and hardware, Sub-Zero invented integrated columns, tall and drawer models that disappear into the decor. Integrated units fit flush with other cabinets, making integrated refrigeration as practical and beautiful in the master suite, bar or theatre room as in the kitchen.

KEY FEATURES

- Custom front panels and hardware allow for infinite design options.
- Point-of-use refrigeration that can be placed anywhere in the home.
- Dual refrigeration; two compressors preserve food’s goodness in self-contained compartments.
- Energy efficient; many models are ENERGY STAR® qualified.
- Drawer models are Star-K certified—column and tall models are Star-K compliant with harness kit.

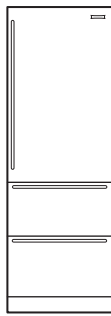
INTEGRATED MODELS



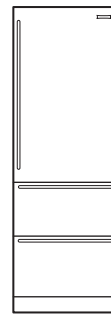
IC-27R



IC-27FI



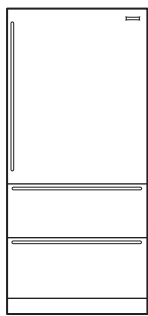
700TR



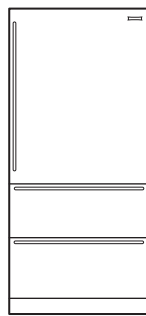
700TFI



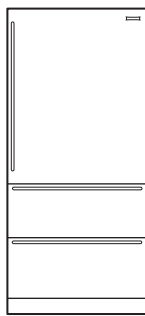
700TCI



736TR



736TFI



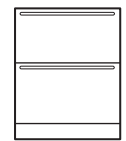
736TCI



700BR



700BF(I)



700BC(I)

Specifications

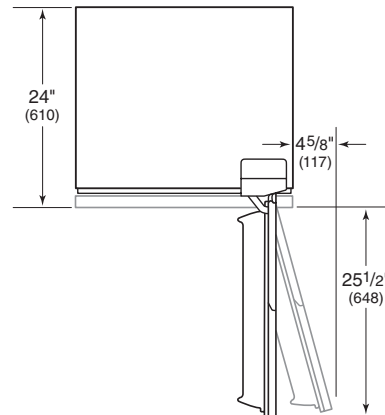
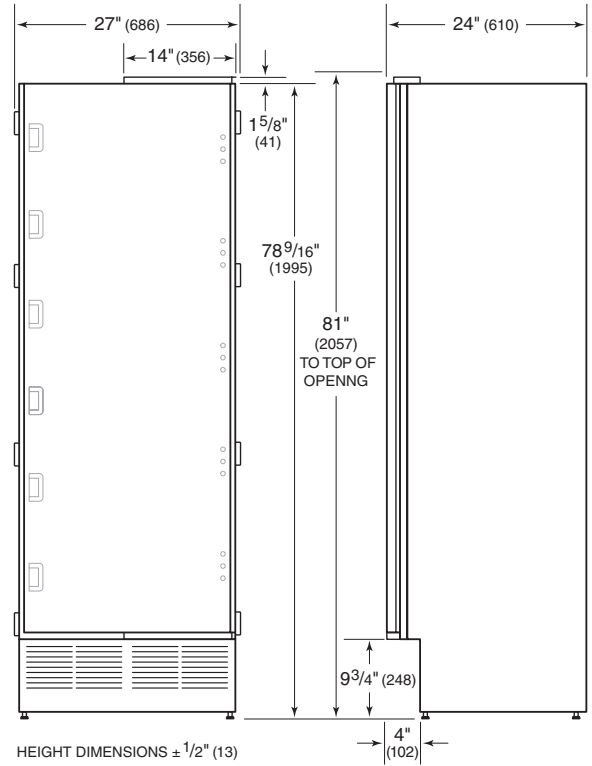
INTERIOR CAPACITY		
COLUMN	R CU FT (L)	F CU FT (L)
IC-27R	16.3 (462)	
IC-27FI		15.7 (445)
TALL	R CU FT (L)	F CU FT (L)
700TR	15.5 (439)	
700TFI		15.3 (433)
700TCI	10.2 (289)	5.1 (144)
736TR	20.9 (592)	
736TFI		21.5 (609)
736TCI	13.3 (377)	7.1 (201)
DRAWER	R CU FT (L)	F CU FT (L)
700BR	5.3 (150)	
700BF(I)		5.1 (144)
700BC(I)	2.9 (82)	2.1 (59)

SHIPPING WEIGHT	
COLUMN	LB (KG)
IC-27R, IC-27FI,	360 (163)
TALL	LB (KG)
700TR, 700TFI, 700TCI	360 (163)
736TR, 736TFI, 736TCI	480 (218)
DRAWER	LB (KG)
700BR, 700BF(I), 700BC(I)	190 (86)

IMPORTANT NOTE: Overall dimensions do not include panels or handles. Dimensions will vary with panel thickness.

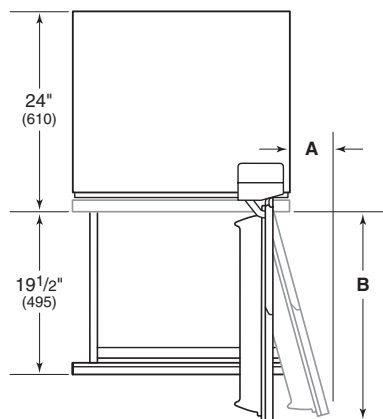
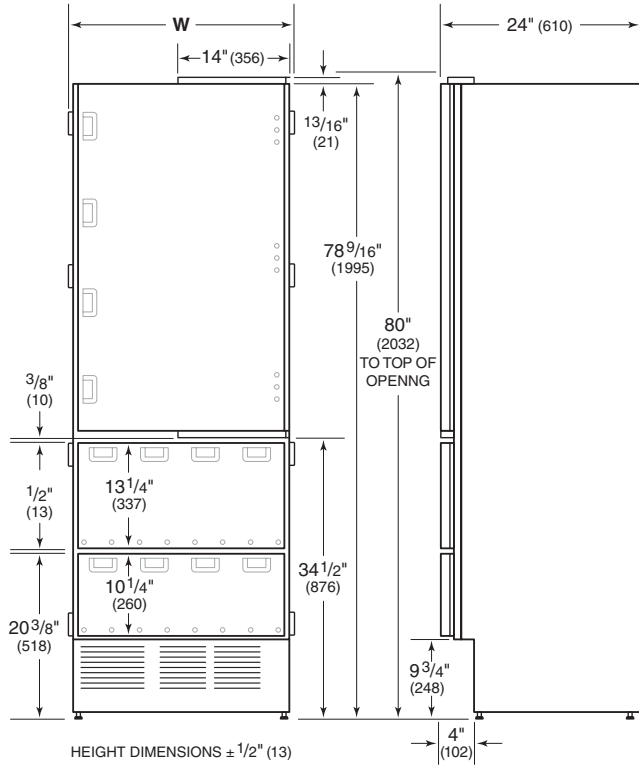
Overall Dimensions

COLUMN

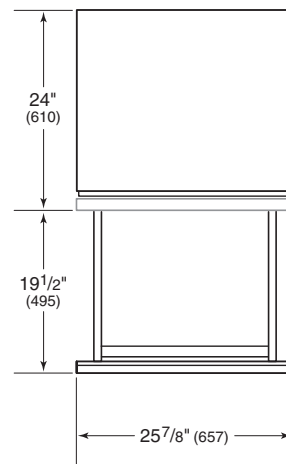
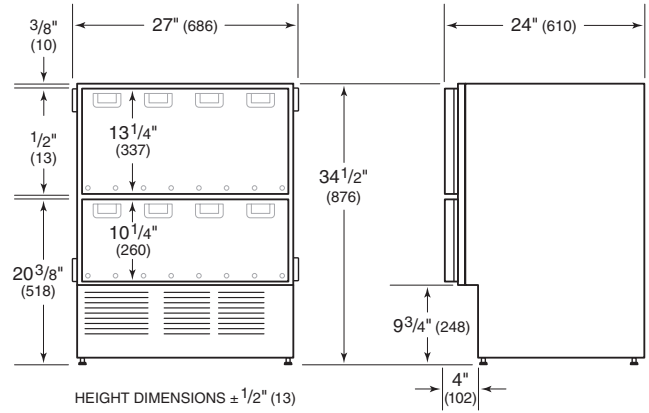


Overall Dimensions

TALL



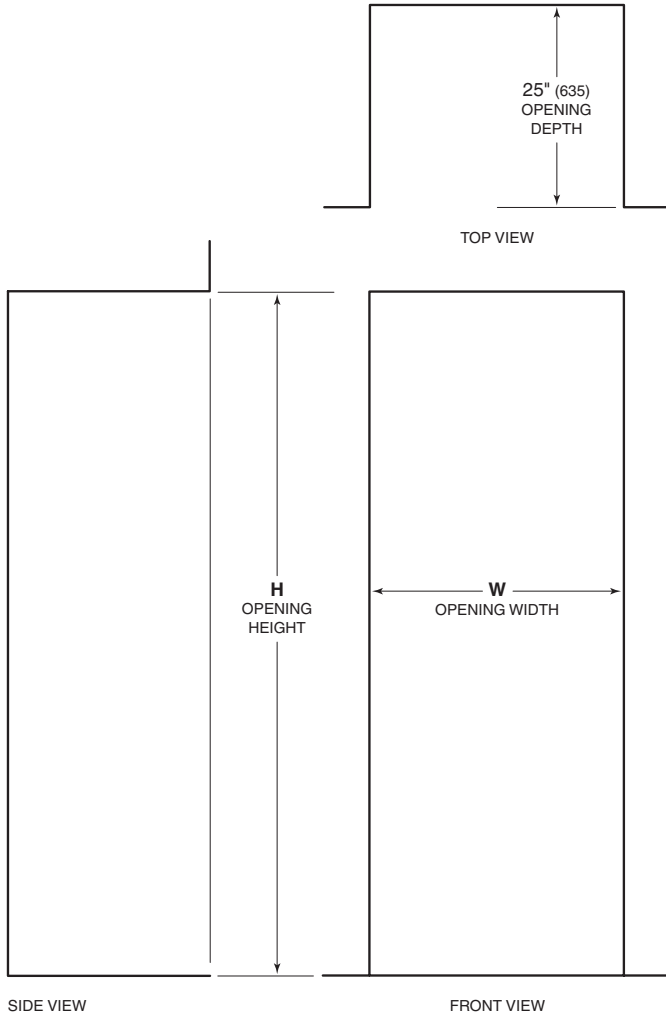
DRAWER



TALL			
MODEL	W	A	B
700TR, 700TFI, 700TCI	27" (686)	4 5/8" (117)	25 1/2" (648)
736TR, 736TFI, 736TCI	36" (914)	7" (178)	34 1/2" (876)

Opening Dimensions

INTEGRATED MODELS



OPENING DIMENSIONS		
COLUMN	W	H
IC-27R, IC-27FI	27" (686)	81" (2057)
TALL	W	H
700TR, 700TFI, 700TCI	27" (686)	80" (2032)
736TR, 736TFI, 736TCI	36" (914)	80" (2032)
DRAWER	W	H
700BR, 700BF(I), 700BC(I)	27" (686)	34 ¹ / ₂ " (876)

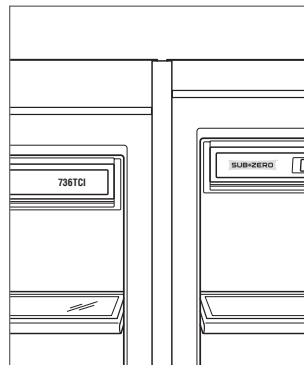
The depth of each integrated model is 24" (610). Allow for panel thickness when planning the finished opening depth.

DUAL INSTALLATION

When installing two units side by side in a dual installation, the opening width is the width of the two units added together. A dual installation kit will be required for this installation. If a dual installation kit is not specified, a minimum 2" (51) filler strip is required between units.

Dual installation kits are available through an authorized Sub-Zero dealer. For local dealer information, visit the find a showroom section of our website, subzero.com. For questions regarding the installation, call Sub-Zero customer care at 800-222-7820.

IMPORTANT NOTE: Due to a more robust hinge on the 36" unit, if a 27" tall unit is installed next to a 36" unit, the door panels will align but interior face frames will not. This is only apparent when both doors are open. Refer to the illustration below.



Face frame alignment.

Electrical

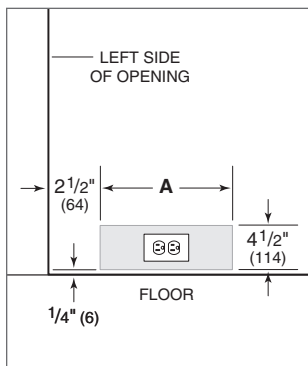
The electrical supply must be located within the shaded area shown in the illustration and chart below. A separate circuit, servicing only this appliance is required. A ground fault circuit interrupter (GFCI) is not recommended and may cause interruption of operation.

The electrical outlet must be positioned with the grounding prong to the right of the thinner blades.

Installation must comply with all applicable electrical codes.

ELECTRICAL REQUIREMENTS	
Electrical Supply	115 VAC, 60 Hz
Service	15 amp
Receptacle	3-prong grounding-type

ELECTRICAL SUPPLY LOCATION	
MODEL	A
27" Model	13" (330)
36" Model	17 1/2" (445)



Electrical supply location.

Plumbing

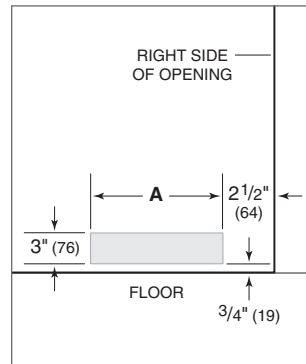
The water supply line should be located within the shaded area shown in the illustrations below. The water supply line should be connected to the house supply with an easily accessible shut-off valve. Do not use self-piercing valves. The water supply line must not interfere with installation of the anti-tip bracket.

A reverse osmosis system can be used provided there is constant water pressure of 20–100 psi (1.4–6.9 bar) supplied to the unit at all times. A copper line is not recommended for this application.

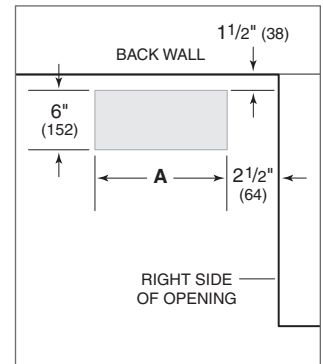
Installation must comply with all applicable plumbing codes.

PLUMBING REQUIREMENTS	
Water Supply	1/4" OD copper, braided stainless steel or PEX tubing
Pressure	20–100 psi (1.4–6.9 bar)
Excess Line for Connection	27" (686)

WATER SUPPLY LOCATION	
MODEL	A
27" Model	9" (229)
36" Model	13 1/2" (343)



Water supply location (rear).



Water supply location (bottom).

Custom Panels

For integrated models, custom door panels and handle hardware must be provided. Refer to the panel requirements chart and integrated panel dimensions.

The thickness of the custom panel can vary. A minimum $\frac{5}{8}$ " (16) thick panel is required, but the thickness can be increased provided it does not exceed the weight limit. The depth of each integrated model is 24" (610). Allow for panel thickness when planning the finished opening depth. Refer to the full-scale template on page 11.

CAUTION
 When using a $\frac{3}{4}$ " (19) or thicker panel with a reveal less than $\frac{1}{4}$ " (6), panel may cause damage to the unit when door is opened to 105°. Use the built-in 90° door stop.

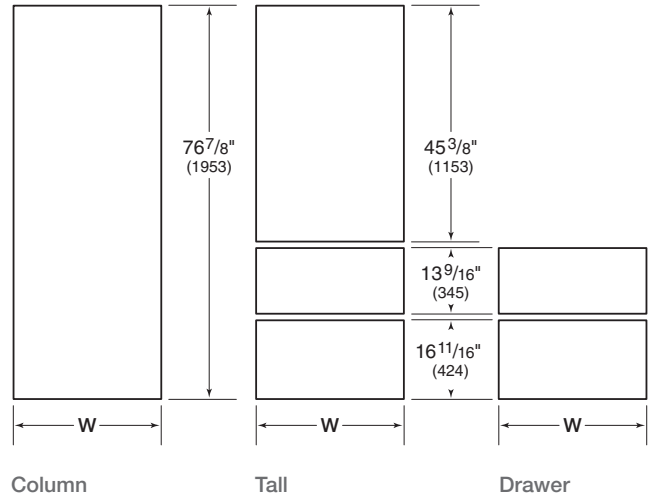
CAUTION
 As reveals between cabinetry and the unit decrease, severe finger pinching can occur while door is closing.

Finish all sides of custom panels. They will be visible when the door/drawer is open.

D-style handles are recommended. Door handles must be located near the edge of the panel opposite the hinge and should be centered top to bottom. Drawer handles must be located near the top edge of each panel. Stainless steel tubular and pro handles are available through an authorized Sub-Zero dealer. For local dealer information, visit the find a showroom section of our website, subzero.com.

PANEL REQUIREMENTS	
PANEL WEIGHT	MAX
Column	65 lb (29 kg)
27" Tall (door)	40 lb (18 kg)
36" Tall (door)	53 lb (24 kg)
PANEL WEIGHT	MAX
27" Drawer	13 lb (6 kg)
36" Drawer	16 lb (7 kg)
PANEL THICKNESS	MIN
All Panels	$\frac{5}{8}$ " (16)

INTEGRATED PANEL DIMENSIONS



Typical panel dimensions are based on an 81" (2057) finished height for column models, 80" (2032) for tall models and 34 $\frac{1}{2}$ " (876) for drawer models, with a 4" (102) toe kick and $\frac{1}{8}$ " (3) reveals. Panel dimensions must be adjusted accordingly for all other installations. Refer to the illustration for panel heights and the chart below for panel widths.

PANEL WIDTH	
MODEL	W
27" Model	26 $\frac{3}{4}$ " (679)
36" Model	35 $\frac{3}{4}$ " (908)

DUAL INSTALLATION

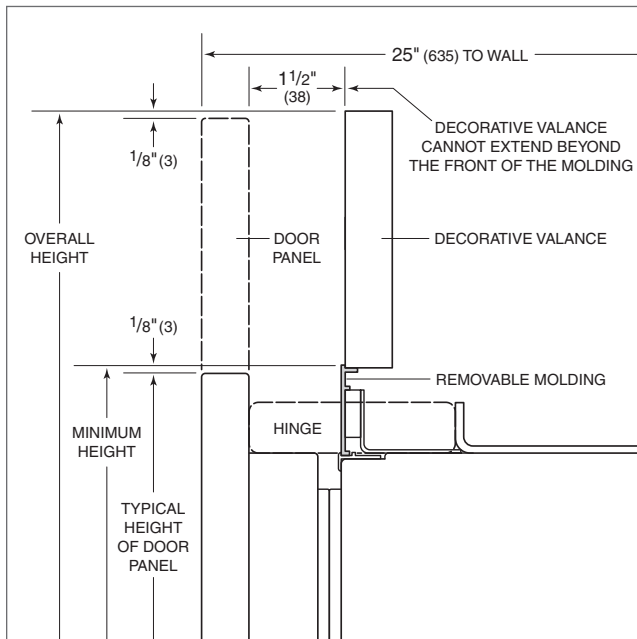
For dual installations, refer to the illustration for panel heights and the chart below for panel widths.

PANEL WIDTH	
MODEL	W
27" Model	26 $\frac{13}{16}$ " (681)
36" Model	35 $\frac{13}{16}$ " (910)

Custom Panels

DOOR PANEL HEIGHT

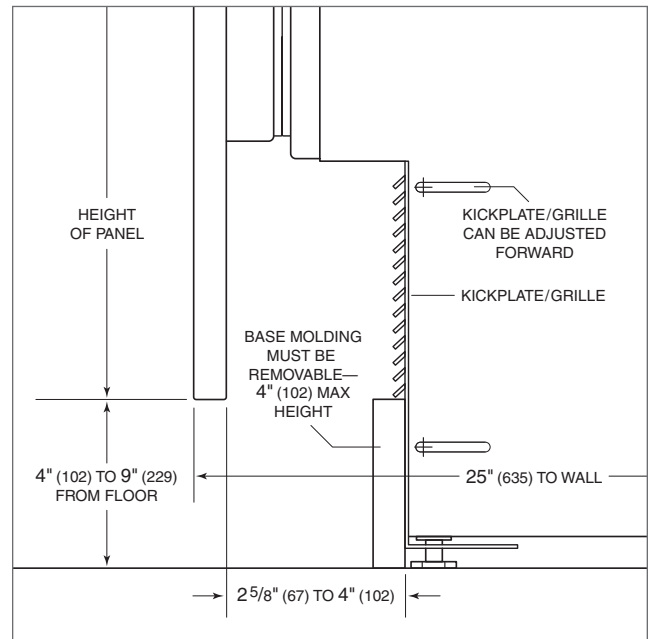
The height of the custom door panel can extend beyond the typical panel height, provided it does not exceed the weight limit. Refer to the illustration below.



Upper valance (column and tall)—side view.

TOE KICK CLEARANCE

The height of the toe kick area can extend beyond the typical toe kick height, provided it does not exceed the dimensions in the illustration below.



Toe kick—side view.

Handle Hardware

Optional stainless steel tubular and pro handles are available through an authorized Sub-Zero dealer. For local dealer information, visit the find a showroom section of our website, subzero.com.

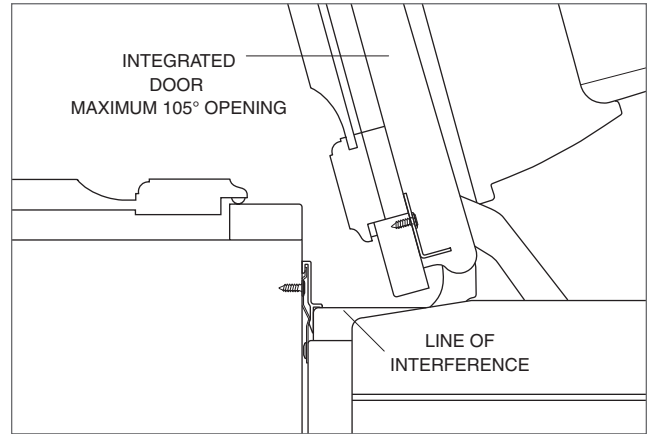
Refer to the chart below for the length and stud spacing of standard handles for integrated models.

STANDARD HANDLES		
DOOR	LENGTH	STUD SPACING
Tubular	41 ³ / ₁₆ " (1046)	33 ¹ / ₄ " (845)
Pro	39 ⁹ / ₁₆ " (1006)	38 ⁵ / ₁₆ " (973)
27" DRAWER	LENGTH	STUD SPACING
Tubular	24 ³ / ₁₆ " (614)	16 ¹ / ₄ " (413)
Pro	21" (533)	19 ¹¹ / ₁₆ " (500)
36" DRAWER	LENGTH	STUD SPACING
Tubular	33 ³ / ₁₆ " (843)	25 ¹ / ₄ " (641)
Pro	30" (762)	28 ³ / ₄ " (730)

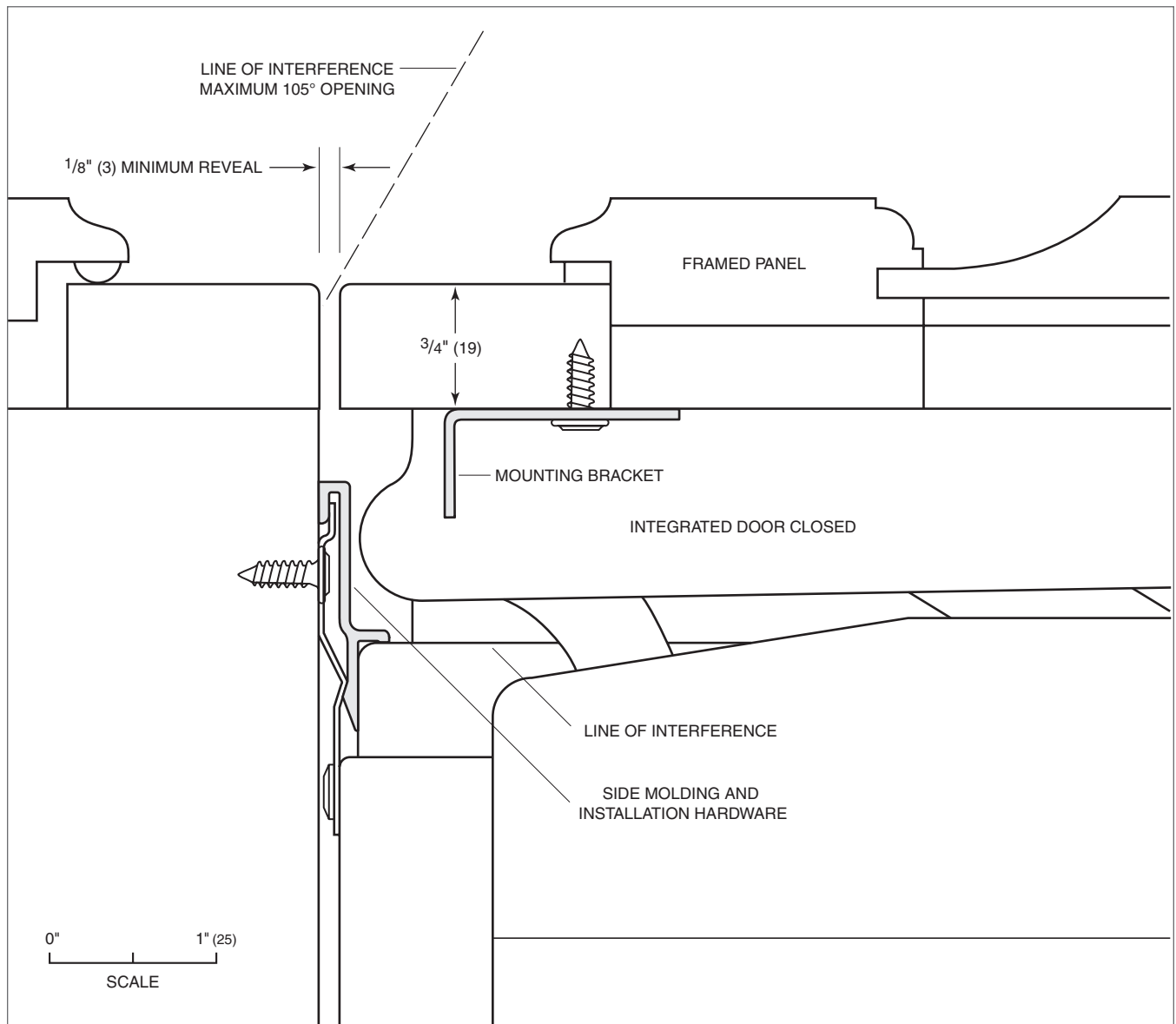
Maximum Door Opening

FULL-SCALE TEMPLATE

If the panel is thicker than 3/4" (19), use the built-in 90° door stop to prevent damage to the panel and face frame at the maximum door opening.



105° opening—1/4 scale (top view).



Door closed (top view).

Sub-Zero Residential Limited Warranty

FOR RESIDENTIAL USE

FULL TWO YEAR WARRANTY*

For two years from the date of original installation, this Sub-Zero product warranty covers all parts and labor to repair or replace, under normal residential use, any part of the product that proves to be defective in materials or workmanship. All service provided by Sub-Zero under the above warranty must be performed by Sub-Zero factory certified service, unless otherwise specified by Sub-Zero, Inc. Service will be provided during normal business hours.

FULL FIVE YEAR SEALED SYSTEM WARRANTY

For five years from the date of original installation, this Sub-Zero product warranty covers all parts and labor to repair or replace, under normal residential use, these parts that prove to be defective in materials or workmanship: compressor, condenser, evaporator, drier and all connecting tubing. All service provided by Sub-Zero under the above warranty must be performed by Sub-Zero factory certified service, unless otherwise specified by Sub-Zero, Inc. Service will be provided during normal business hours.

LIMITED TWELVE YEAR SEALED SYSTEM WARRANTY

For twelve years from the date of original installation, Sub-Zero will repair or replace the following parts that prove to be defective in materials or workmanship: compressor, condenser, evaporator, drier and all connecting tubing. If the owner uses Sub-Zero factory certified service, the service provider will repair or replace these parts with the owner paying for all other costs, including labor. If the owner uses non-certified service, the owner must contact Sub-Zero, Inc. (using the information below) to receive repaired or replacement parts. Sub-Zero will not reimburse the owner for parts purchased from non-certified service or other sources.

TERMS APPLICABLE TO EACH WARRANTY

The warranty applies only to products installed for normal residential use. The warranty applies only to products installed in any one of the fifty states of the United States, the District of Columbia or the ten provinces of Canada. This warranty does not cover any parts or labor to correct any defect caused by negligence, accident or improper use, maintenance, installation, service or repair.

THE REMEDIES DESCRIBED ABOVE FOR EACH WARRANTY ARE THE ONLY ONES THAT SUB-ZERO, INC. WILL PROVIDE, EITHER UNDER THIS WARRANTY OR UNDER ANY WARRANTY ARISING BY OPERATION OF LAW. SUB-ZERO, INC. WILL NOT BE RESPONSIBLE FOR ANY CONSEQUENTIAL OR INCIDENTAL DAMAGES ARISING FROM THE BREACH OF THIS WARRANTY OR ANY OTHER WARRANTY, WHETHER EXPRESS, IMPLIED OR STATUTORY.

Some states do not allow the exclusion or limitation of incidental or consequential damages, so the above limitation or exclusion may not apply to you. This warranty gives you specific legal rights and you may also have other legal rights that vary from state to state.

To receive parts and/or service and the name of Sub-Zero factory certified service nearest you, contact Sub-Zero, Inc., P.O. Box 44848, Madison, WI 53744; check the contact & support section of our website, subzero.com, email us at customerservice@subzero.com or call 800-222-7820.

*Stainless steel (doors, panels, handles, product frames and interior surfaces) are covered by a limited 60-day parts and labor warranty for cosmetic defects.

*Replacement water filters and air purification cartridges are not covered by the product warranty.



Sub-Zero, Sub-Zero & Design, Dual Refrigeration, Constant Care, The Living Kitchen, Great American Kitchens The Fine Art of Kitchen Design, and Ingredients are registered trademarks and service marks of Sub-Zero, Inc. Wolf, Wolf & Design, Wolf Gourmet, W & Design and the color red as applied to knobs are registered trademarks and service marks of Wolf Appliance, Inc. (collectively, the "Company Marks.") All other trademarks or registered trademarks are property of their respective owners in the United States and other countries.



SUBZERO

SUB-ZERO, INC. P.O. BOX 44848 MADISON, WI 53744 SUBZERO.COM 800.222.7820

SZIN700DG

9/2013