

DUAL FUEL RANGE

USE AND CARE GUIDE

CLEANING, MAINTENANCE, AND MORE



Contents

- 4 Safety Precautions
- 8 Dual Fuel Range Features
- 9 Oven Operation
- 16 Surface Operation
- 20 Care Recommendations
- 21 Troubleshooting
- 23 Wolf Warranty

Customer Care

The model and serial number are printed on the enclosed product registration card. Both numbers are also listed on the product rating plate. Refer to page 8 for rating plate location. For warranty purposes, you will also need the date of installation and name of your authorized Wolf dealer. Record this information below for future reference.

SERVICE INFORMATION

Model Number	_____
Serial Number	_____
Date of Installation	_____
Certified Service Name	_____
Certified Service Number	_____
Authorized Dealer	_____
Dealer Number	_____

If your product ever needs attention, be sure to use a Wolf Factory Certified Service provider recommended by our Customer Care Center, or select one from our list of providers available at wolfappliance.com/locator. All Factory Certified Service providers are carefully selected and thoroughly trained by us.

Important Note

To ensure this product is installed and operated as safely and efficiently as possible, take note of the following types of highlighted information throughout this guide:

IMPORTANT NOTE highlights information that is especially important.

CAUTION indicates a situation where minor injury or product damage may occur if instructions are not followed.

WARNING states a hazard that may cause serious injury or death if precautions are not followed.

IMPORTANT NOTE: Throughout this guide, dimensions in parentheses are millimeters unless otherwise specified.

IMPORTANT INSTRUCTIONS

⚠ WARNING

If the information in this guide is not followed exactly, a fire or explosion may result, causing property damage, personal injury, or death.

Do not store or use gasoline or other flammable vapors and liquids in the vicinity of this or any other appliance.

WHAT TO DO IF YOU SMELL GAS:

- Do not try to light any appliance.
- Do not touch any electrical switch.
- Do not use any phone in your building.
- Immediately call your gas supplier from a neighbor's phone. Follow the gas supplier's instructions.
- If you cannot reach your gas supplier, call the fire department.

This appliance must be properly installed and serviced by a qualified installer, service agency, or gas supplier and grounded by a qualified technician.

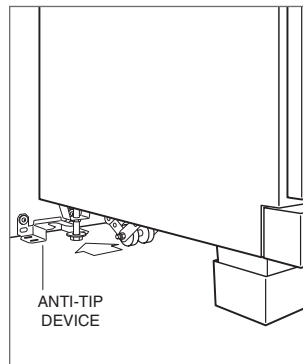
⚠ WARNING

A child or adult can tip this appliance and be killed.

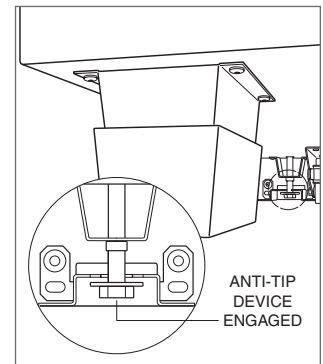
Verify the anti-tip device has been properly installed and engaged. Ensure the anti-tip device is re-engaged when this appliance is moved. Refer to the illustrations below for how to verify correct installation.

Do not operate this appliance without the anti-tip device in place and engaged. Failure to do so can result in death or serious burns to children or adults.

To reduce the risk of burns, do not move this appliance while hot.



Anti-tip device location



Anti-tip device engaged

IMPORTANT INSTRUCTIONS

GENERAL SAFETY PRECAUTIONS

- Read this guide carefully before using this appliance to reduce risk of fire, electric shock or injury.
- Before performing service, shut off gas supply by closing the gas shut-off valve and shut off electricity to this appliance.
- Keep appliance area clear and free from combustible material.
- For safety when cooking, set burner controls so flame does not extend beyond the bottom of pan.
- Exercise caution when opening oven door. Let hot air or steam escape before looking or reaching into oven.
- **IMPORTANT:** Do not install a ventilation system that blows air downward toward this gas cooking appliance. This type of ventilation system may cause ignition and combustion problems with this gas cooking appliance resulting in personal injury or unintended operation.
- Do not use aluminum foil to line any part of this appliance.
- Never use this appliance to warm or heat the room. Doing so may result in carbon monoxide poisoning.
- Be sure the oven cool air intake (above the door) and oven exhaust vent (below the door) are unobstructed at all times.
- Wear proper apparel. Loose-fitting or hanging garments should never be worn using this appliance.
- Use extreme caution when moving a grease kettle or disposing of hot grease.
- Always use dry pot holders when removing pans from this appliance. Wet or damp pot holders can cause steam burns. Do not use a towel or bulky cloth in place of pot holders.
- Position oven racks in desired locations when oven is cool. If a rack must be repositioned after the oven is already hot, be sure pot holder does not contact a hot heating element in the oven.

IMPORTANT INSTRUCTIONS

GENERAL SAFETY PRECAUTIONS

- Clean only those parts listed in this guide.
- Do not use oven cleaners. No commercial oven cleaner or oven liner protective coating of any kind should be used in or around any part of the oven.
- Before using self-clean, remove broiler pan, oven racks, oven rack guides and any other utensils.
- Do not repair or replace any part of this appliance unless specifically recommended in literature accompanying this appliance.
- Do not obstruct the flow of air to ensure proper combustion and ventilation.
- When using this appliance, do not touch grates, burner caps, burner bases or any other parts in proximity to the flame. These components may be hot enough to cause burns.
- Do not clean oven gasket; rubbing or moving the gasket may compromise the door seal.
- Do not use water on grease fires. Smother the flame or use a dry chemical or foam-type extinguisher.
- Never leave this appliance unattended when in use. Boilovers and greasy spills may smoke or ignite.
- Do not touch heating elements or interior surfaces of oven. Heating elements may be hot even though they are dark in color. Interior surfaces become hot enough to cause burns. During and after use, do not touch, or let clothing or other flammable materials contact heating elements or interior surfaces of oven until they have had sufficient time to cool.
- Do not leave children alone or unattended in the area where this appliance is in use. Never allow children to sit or stand on the appliance.
- Do not store items of interest to children above or at the back of this appliance, as they could climb on the appliance to reach items and be injured.
- Do not heat unopened food containers, such as baby food jars and cans. Pressure build-up may cause the container to burst and cause injury.
- Do not store flammable materials in an oven, near burners or let grease or other flammable substances accumulate on this appliance.

IMPORTANT INSTRUCTIONS

⚠ WARNING

PROPOSITION 65 FOR CALIFORNIA RESIDENTS

Cancer and Reproductive Harm—
www.P65Warnings.ca.gov

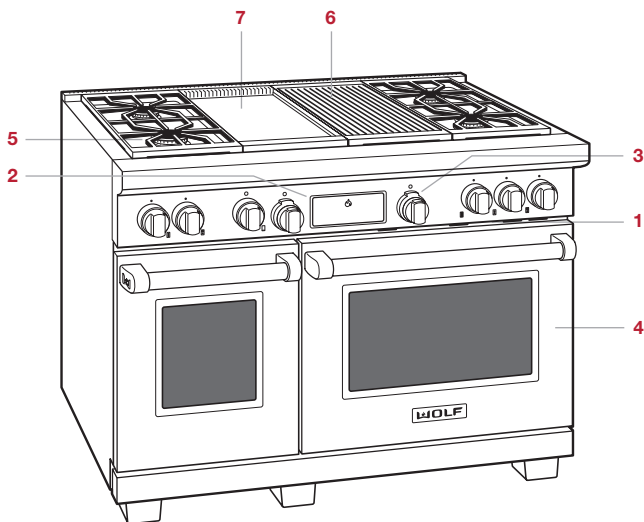
COMMONWEALTH OF MASSACHUSETTS

- Installations and repairs must be performed by a qualified or licensed contractor, plumber, or gas fitter, qualified or licensed by the state, province, or region where this appliance is being installed.
- Use only gas shut-off valves approved for use within the state, province, or region where this appliance is being installed.
- A flexible gas connector, when used, must not exceed 3' (.9 m).

Dual Fuel Range Features

FEATURES

1	Product Rating Plate
2	Control Panel (press 🔥 to access)
3	Oven Control Knob
4	Convection Oven
5	Surface Burner
6	Optional Charbroiler
7	Optional Griddle
8	Optional French Top (not shown)



48" Dual Fuel Range shown

Getting Started

We know you are eager to start cooking, but before you do, please take some time to read this use and care guide. Whether you are an occasional cook or an expert chef, it will be to your benefit to familiarize yourself with the safety practices, features, operation, and care recommendations of your Wolf Dual Fuel Range.

- To ensure all residual oil from the manufacturing process has been removed, clean the range thoroughly with hot water and mild detergent prior to use. Rinse and dry with a soft cloth. Refer to Care Recommendations on page 20.
- Verify the surface burner components are assembled correctly.
- Optional charbroiler, griddle, and French top require special attention. Refer to pages 17–19.
- To ensure the best results, review cooking modes and special features on page 12.

⚠ CAUTION

Do not place cookware on the oven floor or use aluminum foil or other material to line the oven floor or side walls. Failure to adhere to this notice will damage the porcelain interior and will void your warranty.

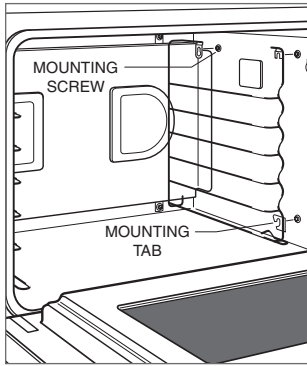
Oven Racks

OVEN RACK GUIDES

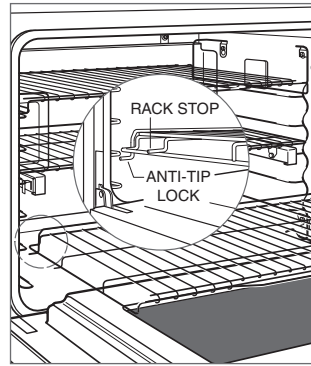
To insert the rack guides in the oven, locate the mounting screws on the oven side walls. Place the rack guide mounting tabs over the screws and slide down until fully seated. Refer to the illustration below.

OVEN RACKS

To insert a standard rack in the oven, place the rack anti-tip lock under the side rack guide rails. Slide the rack back and lift up to clear the rack stops. Continue to slide the rack back until completely inside the oven. Refer to the illustration below.



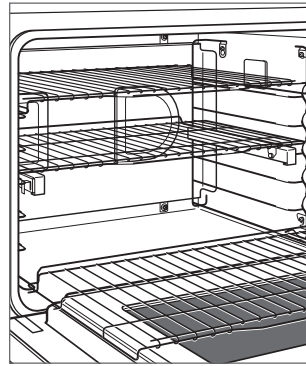
Oven rack guides



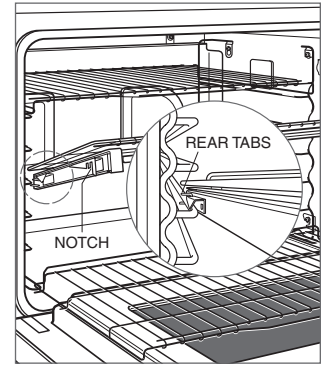
Oven rack anti-tip lock

The bottom oven rack has a full-extension capability which is supported by the oven door (excluding 18" oven). With the rack in the lowest rack guide position, slide it onto the door guides for greater stability and accessibility. Refer to the illustration below.

To insert a full-extension easy glide rack, place the two rear tabs onto the rack guide (one tab above and one below). Refer to the illustration below. Angle the rack slightly and slide back until the front rack notch engages the front rack guide.



Bottom rack



Full-extension rack

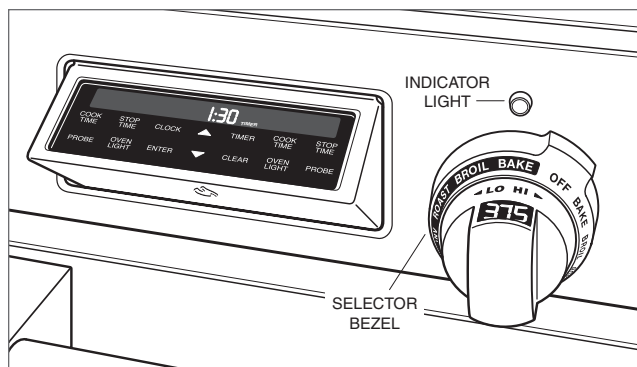
Oven Operation

Wolf dual fuel ranges utilize a combination of a cooking mode selector bezel, oven temperature control knob, and electronic control panel to select desired cooking modes, oven temperature, and exclusive features. Open the control panel by pressing .

Temperatures are displayed in Fahrenheit. To change to Celsius, touch and hold CLOCK for 5 seconds. Touch COOK TIME to alternate between °F and °C, then touch ENTER.

When using the oven, Wolf has created a two-step process to ensure it is never accidentally turned on:

- 1 Rotate the selector bezel to the desired cooking mode. Standard modes are displayed in the silver area of the bezel. Convection modes are displayed in the black area of the bezel. Refer to the illustration below. Once the desired cooking mode is selected, a preset temperature appears on the control knob.
- 2 Select the preset temperature by touching ENTER on the control panel or turn the control knob to increase or decrease the temperature. Either action completes the second step of the process. The oven indicator light illuminates and preheat begins.



Control panel and oven control knob

OVEN LIGHT

The oven light turns on automatically when the door is open and off when closed. To turn the light on while the door is closed, touch OVEN LIGHT on the control panel.

PREHEAT

During preheat, the oven is heated as quickly and evenly as possible and is not ideal for cooking. Preheat should be used for all cooking modes except Broil and Convection Broil. During preheat, temperatures below 150°F (65°C) appear as “Lo”. Once preheat is complete, a chime indicates the oven has reached set temperature and the oven indicator light is no longer illuminated. To adjust the temperature once preheat is complete, turn the knob to the desired temperature.

PRIOR TO USE

To ensure all residual oil from the manufacturing process has been removed, each oven must go through the following procedure.

- 1 Clean the oven thoroughly with hot water and mild detergent. Rinse and dry with a soft cloth.
- 2 Turn on ventilation. Some smoke and odor is normal.
- 3 Rotate the selector bezel to **ROAST** and adjust the temperature to 550°F (290°C) for one hour.
- 4 Rotate the bezel to OFF and allow the oven to cool with the door closed.

Oven Operation

CLOCK

The clock is visible on the control panel during all cooking modes, except when the timer is in use. It is very important the clock is set to the correct time if the cook time or stop time feature is used. The clock must be reset after a power outage.

Setting clock:

- 1 Touch CLOCK on the control panel.
- 2 Use the up and down arrows to set the time of day. The time will change from am to pm by passing 12:00.
- 3 Touch CLOCK. A chime indicates the time has been set.
- 4 To change to a 24-hour clock, press and hold CLOCK for 5 seconds. Touch CLOCK, then ENTER.

CLOCK STANDBY POWER

The range is shipped in standby power mode which disables the clock approximately 10 minutes after the cooling fan operation is complete or the oven is inactive. The clock illuminates after any touch of the controls or oven use.

Enable/disable standby power:

- 1 Touch and hold CLOCK on the control panel for 5 seconds.
- 2 Touch STOP TIME to toggle on or off, then touch ENTER.

TIMER

The timer can be set for a maximum of 9 hours, 59 minutes. Once a time is set, the countdown is illuminated on the control panel display. The last minute counts down in seconds. The timer is independent from the oven. Setting the timer does not affect cook time or stop time. For information regarding auto program features, refer to page 14.

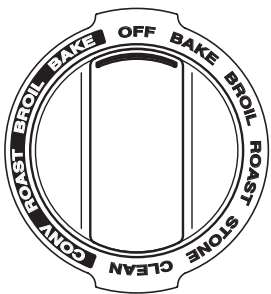
Setting timer:

- 1 Touch TIMER on the control panel.
- 2 Use the up and down arrows to set the time in hours and minutes.
- 3 Touch TIMER to start. A chime indicates the timer has been set. The oven chimes and the time will flash when complete. Touch CLEAR to cancel the timer.

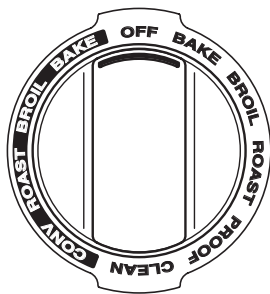
OVEN OPERATION

Cooking Modes

MODE	BEZEL	PRESET	RANGE	PROBE	USES
Convection	CONV	325°F (165°C)	170–550°F (75–290°C)	•	Uniform air movement makes it possible to multi-level rack cook with even browning.
Convection Bake	BAKE	375°F (190°C)	170–550°F (75–290°C)	•	Ideal for pie baking.
Convection Roast	ROAST	325°F (165°C)	170–550°F (75–290°C)	•	Perfect for roasting tender cuts of beef, lamb, pork, and poultry.
Convection Broil	BROIL	Br1 Br2 Br3	550°F (290°C) 450°F (230°C) 350°F (175°C)		Shortens broiling times for thicker cuts of meat, fish, and poultry. Use a two-piece broiler pan and always broil with the oven door closed.
Bake	BAKE	350°F (175°C)	170–550°F (75–290°C)	•	Best for single-rack cooking, primarily baked foods. Use for standard recipes.
Roast	ROAST	350°F (175°C)	170–550°F (75–290°C)	•	Best for roasting less tender cuts of meat, such as chuck roasts and stew meat that should be covered.
Broil	BROIL	Br1 Br2 Br3	550°F (290°C) 450°F (230°C) 350°F (175°C)		Best for broiling meats, fish, and poultry pieces up to 1" thick. Use a two-piece broiler pan and always broil with the oven door closed.
Bake Stone	STONE	400°F (205°C)	170–550°F (75–290°C)	•	Baking on a ceramic stone. Great for pizza and bread. Bake stone accessory required. 30" and 36" ovens only.
Proof	PROOF	85°F (30°C)	85–110°F (30–45°C)	•	Ideal for proofing, or rising bread dough. 18" oven only. For 30" and 36" ovens, refer to page 13.
Dehydration	CONV	135°F (60°C)	110–160°F (45–70°C)		Dry a variety of fruits, vegetables, and meats. Accessory racks required. Refer to page 13.
Self-Clean	CLEAN				Oven heats to an extremely high temperature to allow food soil to burn off. Refer to page 15.



Selector bezel (30"/36" ovens)



Selector bezel (18" oven)

Proof

Setting controls for 30" and 36" ovens:

- 1 Rotate the selector bezel to BAKE.
- 2 Turn the oven control knob left until "PrF" is displayed, then release.
- 3 The oven temperature is preset to 85°F (30°C). Touch ENTER to select the preset temperature or turn the control knob to change temperature. The display alternates between set temperature and "PrF."

Dehydration

Accessory kit required. Accessories are available through an authorized Wolf dealer. For local dealer information, visit the find a showroom section of our website, wolfappliance.com.

Setting controls:

- 1 Place the door stop supplied with the accessory kit, onto the oven door lock.
- 2 Rotate the selector bezel to **CONV**.
- 3 Turn the oven control knob left until "dEH" is displayed, then release.
- 4 The oven temperature is preset to 110°F (45°C). Touch ENTER to select the preset temperature or turn the control knob to change temperature. The display alternates between set temperature and "dEH."

Temperature Probe

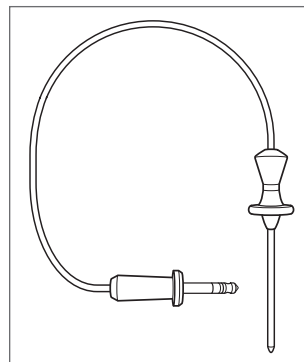
Use only the temperature probe shipped with this appliance. Refer to the illustration below. The temperature probe measures the internal temperature of food while cooking. It can be used with all cooking modes except Broil and Convection Broil.

Setting controls:

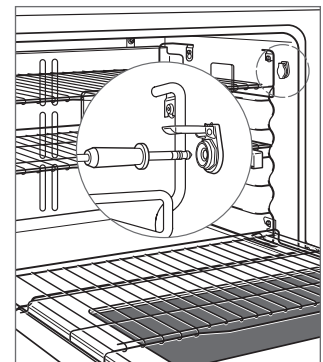
- 1 Rotate the selector bezel to the desired cooking mode.
- 2 Touch ENTER to select the preset temperature or use the number pads to change temperature, then touch ENTER.
- 3 Insert the probe into the thickest area of food. When making bread, cook for approximately 10 minutes before inserting the probe.
- 4 When preheat is complete, use a pot holder to lift the probe receptacle cover, then insert the connector. Refer to the illustration below.
- 5 The probe temperature is preset to 160°F (70°C). Touch ENTER to select the preset temperature or turn the control knob to change temperature. The display alternates between the oven set temperature and actual probe temperature. To alternate between the probe set point and actual probe temperature, press PROBE. Temperatures below 70°F (20°C) are displayed as "Lo."
- 6 A chime indicates the internal temperature has reached the probe set point. Remove, then reinsert the probe to verify the internal temperature.

⚠ CAUTION

The probe and probe receptacle will be very hot. Handle with care.



Temperature probe



Probe receptacle

Auto Program

TIMED COOK

Timed cook automatically turns the oven off at a specified time. The oven will begin to heat immediately and will turn off at the desired stop time. The clock must be set to the correct time for timed cook to function properly. Use in any cooking mode except Broil, Convection Broil, and Bake Stone.

Setting controls:

- 1 Rotate the selector bezel to the desired cooking mode.
- 2 Touch ENTER to select the preset temperature or turn the control knob to change temperature.
- 3 Touch COOK TIME. Use the arrows to select the desired cook time in hours and minutes.
- 4 Touch ENTER.

DELAYED START

Delayed start automatically turns the oven on and off at specified times. The oven will remain idle until the desired start time and will turn off at the desired stop time. The clock must be set to the correct time for delayed start to function properly. Use in any cooking mode except Broil, Convection Broil, and Bake Stone.

Setting controls:

- 1 Rotate the selector bezel to the desired cooking mode.
- 2 Touch ENTER to select the preset temperature or turn the control knob to change temperature. If ENTER is touched, the oven begins to heat immediately, but will enter idle mode once a stop time is set.
- 3 Touch COOK TIME. Use the arrows to select the desired cook time in hours and minutes.
- 4 Touch STOP TIME. Use the arrows to select the desired time the oven should turn off.
- 5 Touch ENTER.

Self-Clean

During self-clean, the oven is heated to an extremely high temperature to burn off food soil. Remove all oven racks and rack guides. They will discolor if left in during self-clean. The oven door will lock and remain locked until self-clean is complete and the oven temperature has cooled below 300°F (150°C). Self-clean times include one hour for cool down.

Setting controls for 4-hour self-clean:

- 1 Rotate the selector bezel to CLEAN.
- 2 Touch ENTER.

Setting controls for 3-hour self-clean:

- 1 Rotate the selector bezel to CLEAN.
- 2 Touch STOP TIME.
- 3 Touch the down arrow to reduce stop time by 1 hour.
- 4 Touch ENTER twice.

Porcelain is made from natural products and, therefore, can chip or develop fine lines and cracks due to the expansion and contraction that occurs as oven temperature fluctuates (particularly when the self-cleaning function is employed). This can result in cosmetic imperfections, such as a cloudy, dull or scratched appearance. Cosmetic imperfections may be more visible in a colored oven cavity.

CAUTION

During self-clean, exterior surfaces may get hotter than usual. Children should be kept away.

Sabbath

This appliance is certified by Star-K to meet strict religious regulations in conjunction with specific instructions found on www.star-k.org.

Sabbath overrides the automatic 12-hour shut off feature. Sabbath must be reset after a power outage.

Setting controls:

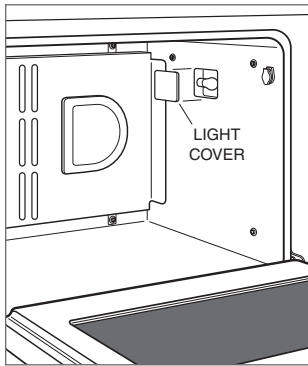
- 1 Turn the oven light on or off.
- 2 Rotate the selector bezel to BAKE or ROAST and select the desired temperature.
- 3 Touch and hold ENTER for 5 seconds. “SAb” appears and flashes on the oven control knob indicating Sabbath mode has been initiated.
- 4 To change the oven temperature while in Sabbath mode, turn the control knob. Each turn will increase or decrease the temperature by 10° (F or C). The display and chime are disabled, but the temperature will randomly change after a new temperature is selected. The oven will remain on until the selector bezel is rotated to OFF.

Oven Light

⚠ WARNING

Verify power is disconnected from the electrical box before replacing a light bulb.

Allow the oven to cool completely, then remove oven racks and rack guides. To remove the light cover, gently pry the bottom edge with a flat screwdriver. Remove the existing bulb and replace with a 40-watt halogen bulb. Refer to the illustration below.



Light bulb replacement

Surface Burners

To light a burner, push and turn the corresponding control knob counterclockwise to HI. The igniter will click until the burner is lit. Once lit, continue to turn the knob counterclockwise to the desired setting.

To select a simmer setting, turn the control knob to the detent at the lowest setting. Push and continue to turn counterclockwise. The flame will transition to the second tier on the burner cap. Continue to turn the knob to the desired simmer setting.

During a power outage, surface burners can be lit manually. Turn the knob to HI and light using a multi-purpose lighter.

⚠ CAUTION

Never leave pans on a high setting unattended. Be careful when cooking food in fat or grease; it can become hot enough to ignite.

Infrared Charbroiler

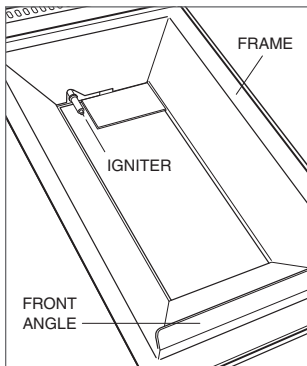
The charbroiler has an infrared burner that transfers intense heat to food, searing the outside to seal in juices. Cook food directly on the charbroiler grate, do not use cookware. The back 7" (178) of the charbroiler is cooler than the rest of the surface. This area can be used to hold foods until ready to serve.

Assemble charbroiler:

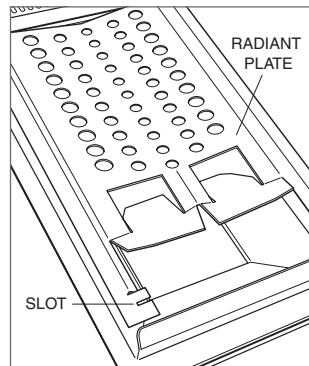
- 1 To assemble, position the charbroiler frame on the range. Refer to the illustration below.
- 2 Align the slots of the radiant plate with the front angle of the frame. Refer to the illustration below. The slots should fit over the front angle and sit flat on the charbroiler frame.
- 3 Install the charbroiler grate.

⚠ CAUTION

Use care when assembling the charbroiler to avoid contact with the igniter.



Charbroiler frame



Charbroiler radiant plate

CHARBROILER OPERATION

The stainless steel cover must be removed prior to operation.

- 1 Turn on ventilation.
- 2 Push and turn the control knob counterclockwise to HI. The igniter will click until the burner is lit.
- 3 Allow to preheat for 10 minutes.

CHARBROILER CARE

- After cooking is complete, allow the charbroiler to remain on for 10 minutes. High heat will help burn off excess food particles.
- When cool, remove the grate and place in the sink. Cover with wet dish towels and pour hot water over it to help loosen residue. Clean with soap and a scouring pad. Rinse and dry.
- To clean the frame, remove and place in the sink. Soak in hot water and mild detergent. Wash thoroughly and scrub with a scouring pad.

Infrared Griddle

The griddle is thermostatically controlled to maintain a consistent temperature. To prevent food from sticking, it is necessary to “season” the griddle prior to use.

Season griddle:

- 1 The griddle has a protective coating that must be removed before use. Use hot water and mild detergent to remove. Rinse and dry.
- 2 Turn on ventilation.
- 3 Push and turn the control knob counterclockwise to 350°F (175°C) and heat for 30 minutes. After 30 minutes, turn the knob to OFF and allow to cool.
- 4 While the surface is slightly warm, pour a small amount of peanut or vegetable oil on a paper towel and spread evenly.
- 5 Push and turn the control knob to 350°F (175°C). Heat until the griddle begins to smoke, then turn the knob to OFF and allow to cool. Once cool, wipe off any excess oil.

GRIDDLE OPERATION

The stainless steel cover must be removed prior to operation.

- 1 Turn on ventilation.
- 2 Push and turn the control knob counterclockwise to the desired temperature. The igniter will click until the burner is lit. The double griddle has separate controls for each side.
- 3 The indicator light above the knob illuminates until the griddle reaches set temperature. The light will cycle on and off as more heat is required to maintain the set temperature.

GRIDDLE CARE

- Scrape grease into the grease collection tray after each use. When the surface has cooled, wipe with a paper towel to remove excess grease or oil.
- After each use, reapply a small amount of peanut or vegetable oil on a paper towel and spread evenly.
- Occasionally, remove the seasoning. Pour $\frac{1}{2}$ cup (120 ml) warm water and 1 teaspoon (5 ml) griddle cleaner onto the griddle and scrape residue into the grease collection tray, then empty. When dry, reapply a small amount of oil for seasoning.

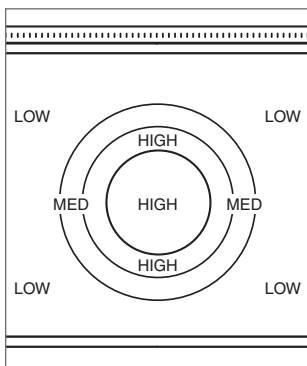
French Top

The French top is a graduated cooking surface with the highest temperature under the center plate. Always use cookware, do not cook food directly on the surface. For higher cooking heat, place cookware closer to the center and for lower heat, closer to the edges. Refer to the illustration below.

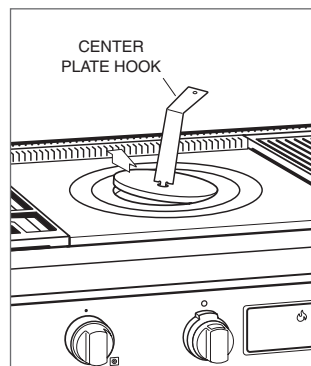
To protect the surface from food splatters and moisture, it is necessary to “season” the French top prior to use.

Season French top:

- 1 The French top has a protective coating that must be removed before use. Use hot water and mild detergent to remove. Rinse and dry.
- 2 Turn on ventilation.
- 3 Push and turn the control knob counterclockwise to HI and heat for 30 minutes. After 30 minutes, turn the knob to OFF and allow to cool.
- 4 While the surface is slightly warm, pour a small amount of peanut or vegetable oil on a paper towel and spread evenly.



French top heating zones



Center plate removal

FRENCH TOP OPERATION

The stainless steel cover must be removed prior to operation.

- 1 Turn on ventilation.
- 2 Push and turn the control knob counterclockwise to HI. The igniter will click until the burner is lit.
- 3 Allow to preheat for 30 minutes.

⚠ CAUTION

Never leave pans on a high heat zone unattended. Be careful when cooking food in fat or grease; it can become hot enough to ignite.

FRENCH TOP CARE

- Clean the entire surface after each use while slightly warm. Wipe with mild detergent and water. Rinse and dry.
- After each use, reapply a small amount of peanut or vegetable oil on a paper towel and spread evenly.
- Occasionally, remove the seasoning. Apply a small amount of white vinegar and water to the surface while slightly warm. Scrub and repeat until the excess oil has been removed. Reapply a small amount of oil for seasoning.
- The French top burner is located below the center plate. To remove, use the center plate hook supplied with the range as shown in the illustration. Never remove the center plate while cooking.

Care Recommendations

CLEANING

Stainless steel	Use a nonabrasive stainless steel cleaner and apply with a soft lint-free cloth. To bring out the natural luster, lightly wipe the surface with a water-dampened microfiber cloth followed by a dry polishing chamois. Always follow the grain of stainless steel.
Burner grates Oven rack guides	Remove and place on a flat surface near the sink. Clean with hot water and mild detergent or paste of baking soda and water. Do not immerse in water. Towel dry.
Burner pan	Remove surface debris before cleaning to help speed up the cleaning process and decrease the chance of scratching the surface during cleaning. Using mild abrasive cleaners or spray degreasers, clean and rinse the surface and dry immediately to avoid streaking. To clean hard water stains, use white vinegar and water. Rinse and dry immediately.
Surface burners	Allow to cool. Use mild detergent or spray degreaser to clean. Rinse with water and towel dry.
Charbroiler Griddle French top	Refer to pages 17–19 for care recommendations.
Control knobs Bezels	Using a damp cloth, wipe with a mild detergent or spray degreaser; rinse and dry. Do not place in the dishwasher.
Control panel	Use a spray degreaser to remove fingerprints and food soil. Spray on a cloth before wiping the control panel. IMPORTANT NOTE: Do not spray cleaners directly on the control panel.
Oven interior	IMPORTANT NOTE: Remove all food spills (especially sugary, acidic, and tomato-based sauces) when the oven interior is safe to touch. Some blemishes are permanent, but do not affect the function of the porcelain. Before using the self-clean feature, use a razor blade to gently lift baked on foods from the oven cavity and window. For stubborn stains, spray with a mild abrasive cleaner or spray degreaser and scrub with a no-scratch Scotch-Brite™ pad (pink or blue). Wash the entire oven cavity with soap and water to remove cleaning chemicals before entering self-clean mode. If residue is not cleaned from the cavity, etching of the porcelain may occur. Once the self-clean cycle is complete, allow the oven to cool completely and wipe out the ash with a damp cloth.
Broiler pan	To clean the upper rack, use a mild detergent and scouring pad. Rinse and dry. To clean the bottom pan, discard grease and wash with hot water and mild detergent. Rinse and dry. The stainless steel upper rack is dishwasher safe, however, do not place any porcelain-coated rack or pan in dishwasher.

Troubleshooting

OPERATION

Range does not operate.

- Verify power is on.
- Verify electrical power to the range and home circuit breaker is on.
- The oven will automatically turn off after 12 hours of continual use, except in Dehydration or Sabbath mode.

Clock display turns off.

- The clock display is in standby power mode. Refer to page 11.

OVEN

Oven temperature issue.

- Contact Wolf Customer Care at 800-222-7820 for recommendations.

No control knob display.

- Pull the oven control knob out and reinsert fully. Turn the circuit breaker off for 5 seconds, then turn back on.

No response from control panel touch pads.

- Turn the oven bezel to OFF to exit Sabbath mode.
- Turn the circuit breaker off for 5 seconds, then turn back on.

“SAb” displayed on the oven control knob.

- Turn the oven bezel to OFF to exit Sabbath mode.

“PF” displayed on the oven control knob.

- The unit had a power outage. Turn the selector bezel to a cooking mode, then back to OFF to reset.
- Turn the circuit breaker off for 5 seconds, then turn back on.

“OPP” displayed on the oven control knob.

- One of the ovens may be in self-clean mode. If one oven is in self-clean, the other can not be used.

“OE”, “OC” or other error displayed.

- Contact Wolf Factory Certified Service.

Oven “pops” or “bangs” during preheat or cool down.

- Normal with new oven cavity expansion and contraction.
- Run a self-clean cycle. If it persists, contact Wolf Customer Care at 800-222-7820.

RANGE SURFACE

Erratic flame, poor ignition or no ignition.

- Verify the burner caps are positioned properly.
- Clean the burner and igniter properly.
- If water spilled over recently, let the area dry completely. Use a hair dryer, if desired.
- If a burner cap secures to the burner head, verify it is tightly fastened.
- Push in the knob, then release. Verify the knob springs back.

Charbroiler clicks continually.

- Verify the knob is set fully at HI.

Griddle indicator light flashes.

- Turn the knob off, then back on. The flame was lost and the unit entered safety lock-out mode.

Troubleshooting

SERVICE

- Maintain the quality built into your product by contacting Wolf Factory Certified Service. For the name of the nearest Wolf Factory Certified Service, check the Support & Service section of our website, wolfappliance.com, or call Wolf Customer Care at 800-222-7820.
- When contacting service, you will need the model and serial number of your product. Both numbers are listed on the product rating plate. Refer to page 8 for rating plate location.
- For warranty purposes, you will also need the date of installation and name of your authorized Wolf dealer. This information should be recorded on page 3 of this guide.

Wolf Appliance Residential Limited Warranty

FOR RESIDENTIAL USE

FULL TWO YEAR WARRANTY*

For two years from the date of original installation, this Wolf Appliance product warranty covers all parts and labor to repair or replace, under normal residential use, any part of the product that proves to be defective in materials or workmanship. All service provided by Wolf Appliance under the above warranty must be performed by Wolf Factory Certified Service, unless otherwise specified by Wolf Appliance, Inc. Service will be provided during normal business hours.

LIMITED FIVE YEAR WARRANTY

For five years from the date of original installation, Wolf Appliance will repair or replace the following parts that prove to be defective in materials or workmanship: gas burners (excludes appearance), electric heating elements, blower motors (ventilation hoods), electronic control boards, magnetron tubes and induction generators. If the owner uses Wolf Factory Certified Service, the service provider will repair or replace these parts with the owner paying for all other costs, including labor. If the owner uses non-certified service, the owner must contact Wolf Appliance, Inc. (using the information below) to receive repaired or replacement parts. Wolf Appliance will not reimburse the owner for parts purchased from non-certified service or other sources.

TERMS APPLICABLE TO EACH WARRANTY

The warranty applies only to products installed for normal residential use. The warranty applies only to products installed in any one of the fifty states of the United States, the District of Columbia or the ten provinces of Canada. This warranty does not cover any parts or labor to correct any defect caused by negligence, accident or improper use, maintenance, installation, service or repair.

THE REMEDIES DESCRIBED ABOVE FOR EACH WARRANTY ARE THE ONLY ONES THAT WOLF APPLIANCE, INC. WILL PROVIDE, EITHER UNDER THIS WARRANTY OR UNDER ANY WARRANTY ARISING BY OPERATION OF LAW. WOLF APPLIANCE, INC. WILL NOT BE RESPONSIBLE FOR ANY CONSEQUENTIAL OR INCIDENTAL DAMAGES ARISING FROM THE BREACH OF THIS WARRANTY OR ANY OTHER WARRANTY, WHETHER EXPRESS, IMPLIED OR STATUTORY.

Some states do not allow the exclusion or limitation of incidental or consequential damages, so the above limitation or exclusion may not apply to you. This warranty gives you specific legal rights and you may also have other legal rights that vary from state to state.

To receive parts and/or service and the name of Wolf Factory Certified Service nearest you, contact Wolf Appliance, Inc., P.O. Box 44848, Madison, WI 53744; check the Support & Service section of our website, wolfappliance.com, email us at customerservice@subzero.com or call 800-222-7820.

*Stainless steel (doors, panels, handles, product frames and interior surfaces) are covered by a limited 60-day parts and labor warranty for cosmetic defects.

*Replacement filters for ventilation hood recirculating kits are not covered by the product warranty.



Contenido

- 4 Precauciones de seguridad
- 8 Funciones de la estufa de energía dual
- 9 Funcionamiento del horno
- 16 Funcionamiento de la superficie
- 20 Recomendaciones sobre el cuidado
- 21 Resolución de problemas
- 23 Garantía de Wolf

Atención al cliente

El modelo y número de serie están impresos en la tarjeta de registro del producto adjunta. Los dos números también aparecen en la placa de datos del producto. Consulte la página 8 para encontrar la placa de datos. Para fines de la garantía, usted también necesitará la fecha de instalación y el nombre de su distribuidor autorizado de Wolf. Anote esta información abajo para referencia futura.

INFORMACIÓN PARA SERVICIO

Número de modelo
Número de serie
Fecha de instalación
Nombre de servicio certificado
Número de servicio certificado
Distribuidor autorizado
Número de distribuidor

Si su producto alguna vez necesita servicio asegúrese de usar un proveedor de servicios certificado por Wolf y recomendado por nuestro centro de atención al cliente, o seleccione uno de nuestra lista de proveedores en wolfappliance.com/locator. Todos los proveedores de los centros de servicio autorizados han sido cuidadosamente seleccionados y entrenados a fondo por nosotros.

Aviso importante

Para garantizar que este producto se instale y opere de la forma más segura y eficiente posible, tome nota de los siguientes tipos de información resaltada en esta guía:

AVISO IMPORTANTE señala la información que es especialmente importante.

PRECAUCIÓN indica una situación en la que se pueden sufrir heridas leves o provocar daños al producto si no se siguen las instrucciones.

ADVERTENCIA indica peligro de que se produzcan heridas graves o incluso la muerte si no se siguen las precauciones.

AVISO IMPORTANTE: en toda esta guía, las dimensiones entre paréntesis son milímetros, a menos que se especifique lo contrario.

INSTRUCCIONES IMPORTANTES

⚠ ADVERTENCIA

Si no se sigue la información de esta guía al pie de la letra se puede provocar un incendio o una explosión, y causar daños a la propiedad, lesiones personales o incluso la muerte.

No almacene ni utilice gasolina u otros vapores o líquidos ignífugos en las proximidades de este o cualquier otro electrodoméstico.

QUÉ HACER SI PERCIBE OLOR A GAS:

- No intente encender ningún electrodoméstico.
- No toque ningún interruptor eléctrico.
- No utilice ningún teléfono en su edificio.
- Llame inmediatamente a su proveedor de gas desde el teléfono de un vecino. Siga las instrucciones del proveedor de gas.
- Si no puede contactar a su proveedor de gas, llame al departamento de bomberos.

Este electrodoméstico debe ser instalado y reparado por un técnico calificado, una agencia de servicio o un proveedor de gas y conectado a tierra por un técnico calificado.

⚠ ADVERTENCIA

Si un niño o un adulto jalan el electrodoméstico este puede volcarse y causarles la muerte.

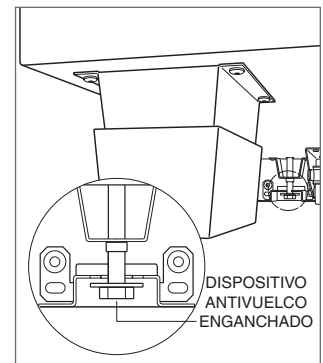
Compruebe que el dispositivo antivuelco haya sido instalado y esté enganchado correctamente. Asegúrese de volver a enganchar el dispositivo antivuelco después de cambiar el electrodoméstico de lugar. Consulte las ilustraciones siguientes para saber cómo comprobar su instalación correcta.

No opere este electrodoméstico sin el dispositivo antivuelco en posición y enganchado. No seguir esta instrucción puede resultar en la muerte o en graves quemaduras en niños o adultos.

Para reducir el riesgo de quemaduras, no mueva el electrodoméstico mientras está caliente.



Ubicación del dispositivo antivuelco



Dispositivo antivuelco enganchado

INSTRUCCIONES IMPORTANTES

PRECAUCIONES GENERALES DE SEGURIDAD

- Lea este manual con atención antes de utilizar este electrodoméstico para reducir el riesgo de incendio, descarga eléctrica o lesiones.
- Antes de dar servicio, cierre el suministro de gas mediante la llave de paso de gas y desconecte el electrodoméstico de la corriente eléctrica.
- Mantenga el área del electrodoméstico limpia y libre de materiales combustibles.
- Para mayor seguridad al cocinar, programe los controles del quemador de manera que la llama no se extienda más allá del fondo de la sartén.
- Tenga cuidado al abrir la puerta del horno. Deje salir el aire caliente o el vapor antes de mirar o meter las manos dentro del horno.
- **IMPORTANTE:** no instale un sistema de ventilación que sople aire hacia abajo en dirección al aparato de cocción de gas. Este tipo de sistema de ventilación puede ocasionar problemas de ignición y combustión con este aparato de cocción de gas y causar lesiones personales o funcionamiento accidental.
- No utilice papel de aluminio para forrar ninguna parte de este electrodoméstico.
- Nunca utilice este electrodoméstico para entibiar o calentar la habitación. Hacerlo puede resultar en intoxicación por monóxido de carbono.
- Asegúrese de que la entrada de aire fresco del horno (arriba de la puerta) y la rejilla de ventilación del horno (abajo de la puerta) estén libres de obstáculos en todo momento.
- Utilice ropa adecuada. Nunca debe utilizar ropa holgada ni con aplicaciones sueltas al utilizar este electrodoméstico.
- Tenga mucho cuidado al mover un hervidor con grasa o desechar la grasa caliente.
- Utilice siempre guantes de cocina secos al retirar las cacerolas de este electrodoméstico. Los guantes de cocina húmedos o mojados pueden provocar quemaduras por vapor. No utilice una toalla ni un paño voluminoso en lugar de los guantes de cocina.
- Coloque las rejillas del horno a la altura deseada cuando el horno esté frío. Si debe cambiar una rejilla de posición cuando el horno esté caliente, asegúrese de que el guante de cocina no entre en contacto con un elemento calefactor caliente al interior del horno.

INSTRUCCIONES IMPORTANTES

PRECAUCIONES GENERALES DE SEGURIDAD

- Limpie solamente las partes enumeradas en este manual.
- No utilice limpiadores para hornos. No debe utilizar limpiadores comerciales para hornos ni capas protectoras de ninguna clase en o alrededor de cualquier parte del horno.
- Antes de utilizar la autolimpieza, retire la parrilla, las rejillas del horno, las guías de las rejillas y cualquier otro utensilio.
- No intente reparar ni cambiar parte alguna de este electrodoméstico a menos que esté específicamente recomendado en la documentación que acompaña a este electrodoméstico.
- No obstruya el flujo de aire para asegurar una combustión y ventilación adecuadas.
- Cuando utilice este electrodoméstico, no toque las rejillas, las tapas de los quemadores, las bases de los quemadores o cualquier otra parte en proximidad a la llama. Estos componentes pueden estar lo suficientemente calientes como para causar quemaduras.
- No limpie el empaque del horno, ya que frotar o mover el empaque puede comprometer el sello de la puerta.
- No utilice agua en incendios causados por grasas. Sofoque el fuego o utilice extinguidor químico seco o de espuma.
- Nunca deje este electrodoméstico desatendido cuando se encuentre en uso. El rebosamiento por ebullición y los derrames de grasa pueden generar humo o incendiarse.
- No toque los elementos calefactores ni las superficies internas del horno. Los elementos calefactores pueden permanecer calientes incluso cuando tienen un color oscuro. Las superficies internas alcanzan altas temperaturas y pueden causar quemaduras. Durante y después del uso, no toque, ni deje que su ropa u otros materiales ignífugos entren en contacto con los elementos calefactores o superficies internas del horno hasta que hayan tenido suficiente tiempo para enfriarse.
- No deje a los niños menores solos ni desatendidos en el área donde se utiliza este electrodoméstico. Nunca permita que los niños se sienten o paren sobre el electrodoméstico.
- No almacene artículos que puedan llamar la atención de niños menores arriba o detrás de este electrodoméstico, ya que podrían subirse al electrodoméstico para alcanzar los objetos y sufrir lesiones.
- No caliente recipientes de comida cerrados, como frascos de alimentos para bebés o enlatados. La acumulación de presión puede hacer que el recipiente explote y cause lesiones.
- No almacene materiales ignífugos en un horno, cerca de los quemadores y tampoco permita la acumulación de grasa u otras sustancias ignífugas en este electrodoméstico.

INSTRUCCIONES IMPORTANTES

⚠ ADVERTENCIA

PROPUESTA 65 PARA RESIDENTES DE CALIFORNIA


Cáncer y Daño Reproductivo—
www.P65Warnings.ca.gov

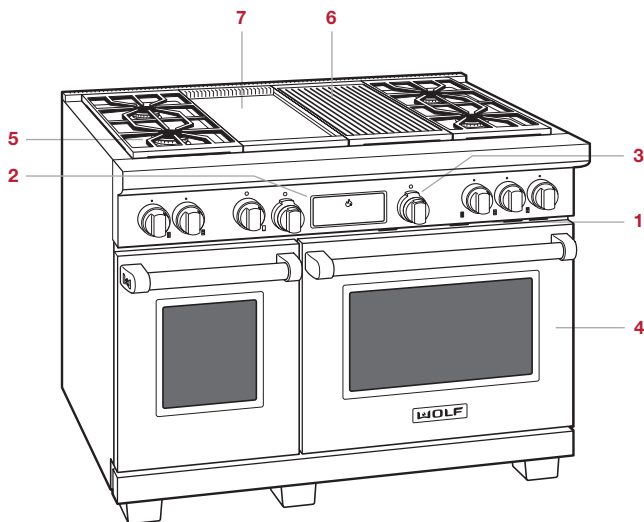
MANCOMUNIDAD DE MASSACHUSETTS

- Las instalaciones y reparaciones deben ser realizadas por un contratista, plomero o un instalador de gas autorizado o calificado por el estado, la provincia o región donde se va a instalar este electrodoméstico.
- Utilice únicamente llaves de paso para gas aprobadas para su uso dentro del estado, provincia o región donde se va a instalar este electrodoméstico.
- Un conector de gas flexible, cuando se utilice, no debe sobrepasar 3' (.9 m).

Funciones de la estufa de energía dual

CARACTERÍSTICAS

1	Placa de datos del producto
2	Panel de control (presione  para tener acceso)
3	Perilla de control del horno
4	Horno de convección
5	Quemador superior
6	Parrilla opcional
7	Plancha opcional
8	Encimera francesa opcional (no representada)



Representación de la estufa de energía dual de 48"

Primeros pasos

Sabemos que está ansioso por empezar a cocinar, pero antes de hacerlo, dedique un poco de tiempo a leer este manual de uso y cuidado. Si usted es un cocinero ocasional o un chef experto, se beneficiará de familiarizarse con las prácticas de seguridad, características, funcionamiento y recomendaciones de cuidado de su estufa de energía dual de Wolf.

- Para asegurarse de que todo el aceite residual del proceso de fabricación se haya eliminado, limpie a fondo la estufa con agua caliente y un detergente suave antes de utilizarla. Enjuague y seque con un paño suave. Consulte las recomendaciones sobre el cuidado en la página 20.
- Compruebe que los componentes del quemador superior estén ensamblados correctamente.
- La parrilla, plancha y la encimera francesa opcionales requieren de atención especial. Consulte las páginas 17 a 19.
- Para obtener los mejores resultados revise los modos de cocción y características especiales en la página 12.

⚠ PRECAUCIÓN

No coloque utensilios de cocina sobre el piso del horno ni utilice papel de aluminio u otro material para recubrir el piso o las paredes laterales del horno. Si hace caso omiso de este aviso se dañará el interior de porcelana y se anulará la garantía.

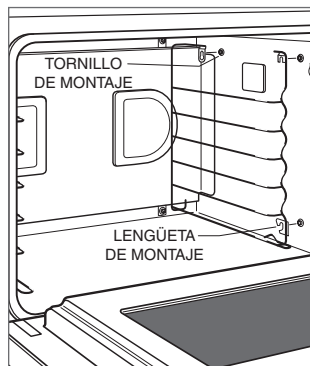
Rejillas del horno

GUÍAS DE LAS REJILLAS DEL HORNO

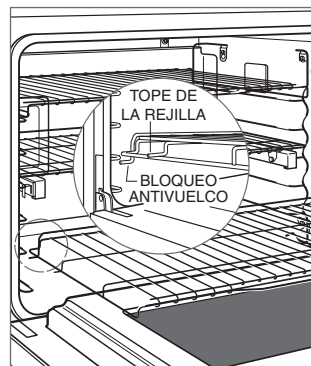
Para insertar las guías de las rejillas del horno busque los tornillos de montaje en las paredes laterales del horno. Coloque las lengüetas de montaje de la guía de la rejilla sobre los tornillos y deslice hasta que quede bien asentada. Consulte la siguiente ilustración.

REJILLAS DEL HORNO

Para insertar una rejilla estándar en el horno, coloque el bloqueo antivuelco de la rejilla debajo de los rieles laterales de la guía de la rejilla. Deslice la rejilla hacia atrás y levante para dejar libres los topes de la rejilla. Siga deslizando la rejilla hacia atrás hasta que esté completamente en el interior del horno. Consulte la siguiente ilustración.



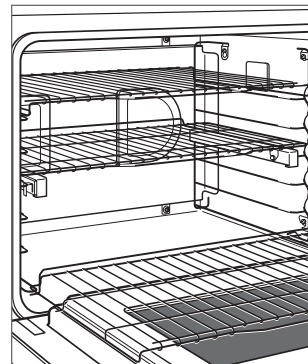
Guías de las rejillas del horno



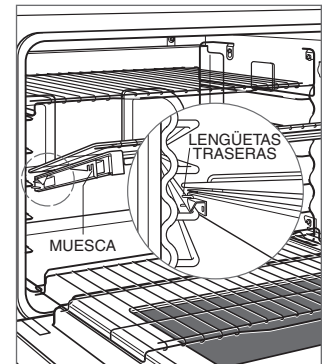
Bloqueo antivuelco para las rejillas del horno

La rejilla inferior del horno tiene una capacidad de extensión completa que se apoya en la puerta del horno (con excepción del horno de 18"). Con la rejilla en la posición más baja de la guía de la rejilla, deslícela sobre las guías de la puerta para lograr mayor estabilidad y accesibilidad. Consulte la siguiente ilustración.

Para insertar una rejilla de extensión completa y de fácil deslizamiento, coloque las dos lengüetas posteriores sobre la guía de la rejilla (una lengüeta arriba y una abajo). Consulte la siguiente ilustración. Incline ligeramente la rejilla y deslícela hasta que la muesca frontal de la rejilla se acople con la guía frontal de la rejilla.




Rejilla inferior



Rejilla de extensión completa

Funcionamiento del horno

Las estufas de energía dual de Wolf utilizan una combinación de anillo de selección de modos de cocción, perilla de control de temperatura del horno y panel de control electrónico para seleccionar los modos de cocción deseados, la temperatura del horno y las funciones exclusivas. Para abrir el panel de control presione .

Las temperaturas se visualizan en grados Fahrenheit. Para cambiar a grados Centígrados, presione y mantenga presionado CLOCK (RELOJ) durante 5 segundos. Presione COOK TIME (TIEMPO DE COCCIÓN) para alternar entre °F y °C, a continuación presione ENTER (INTRO).

Para el uso del horno, Wolf ha creado un proceso de dos pasos para garantizar que el horno nunca se encienda accidentalmente:

- 1 Gire el anillo de selección al modo de cocción deseado. Los modos estándar se visualizan en el área plateada del anillo. Los modos de convección se visualizan en el área de color negro del anillo. Consulte la siguiente ilustración. Una vez seleccionado el modo de cocción deseado, la temperatura preestablecida aparecerá en la perilla de control.
- 2 Para seleccionar la temperatura preestablecida presione ENTER (INTRO) en el panel de control o gire la perilla de control para aumentar o disminuir la temperatura. Cualquier acción completa el segundo paso del proceso. La luz indicadora del horno se ilumina y comienza el precalentamiento.



Panel de control y perilla de control del horno

LUZ DEL HORNO

La luz del horno se enciende automáticamente al abrir la puerta y se apaga al cerrarla. Para encender la luz cuando la puerta está cerrada, presione OVEN LIGHT (LUZ DEL HORNO) en el panel de control.

PRECALENTAMIENTO

Durante el precalentamiento, el horno se calienta lo más rápido y uniforme posible y no es ideal para cocinar. El precalentamiento debe ser utilizado para todos los modos de cocción excepto el de asado y asado por convección. Durante el precalentamiento, las temperaturas inferiores a 150 °F (65 °C) aparecen como "Lo". Una vez que el precalentamiento esté completo, una señal sonora indica que el horno ha alcanzado la temperatura programada y la luz indicadora del horno deja de estar iluminada. Para ajustar la temperatura una vez que se ha completado el precalentamiento, gire la perilla a la temperatura deseada.

ANTES DE UTILIZARLO

Para asegurarse de que todo el aceite residual del proceso de fabricación se haya eliminado, cada horno tiene que pasar por el siguiente procedimiento.

- 1 Limpie cuidadosamente el horno con agua caliente y un detergente suave. Enjuague y seque con un paño suave.
- 2 Encienda la ventilación. La presencia de un poco de humo y olor es normal.
- 3 Gire el anillo de selección a **ROAST** (ASAR) y ajuste la temperatura a 550 °F (290 °C) durante una hora.
- 4 Gire el anillo de selección a OFF (APAGAR) y deje que el horno enfíe con la puerta cerrada.

Funcionamiento del horno

RELOJ

El reloj se visualiza en el panel de control durante todos los modos de cocción, excepto cuando el temporizador está en uso. Es muy importante fijar el reloj en la hora correcta si se utiliza la función de tiempo de cocción o tiempo de apagado. El reloj debe restablecerse después de un corte de energía.

Para configurar el reloj:

- 1 Presione CLOCK (RELOJ) en el panel de control.
- 2 Utilice las flechas de arriba y abajo para ajustar la hora del día. La hora cambiará de a.m. a p.m. al pasar de las 12:00.
- 3 Presione CLOCK (RELOJ). Una señal sonora indica que la hora ha quedado configurada.
- 4 Para cambiar al reloj de 24 horas, presione y mantenga presionado CLOCK (RELOJ) durante 5 segundos. Presione CLOCK (RELOJ), y luego ENTER (INTRO).

ENERGÍA EN MODO DE ESPERA CON RELOJ

La estufa se envía en modo de espera, el cual deshabilita el reloj aproximadamente 10 minutos después de que termine de funcionar el ventilador de enfriamiento o de que el horno esté inactivo. El reloj se iluminará después de tocar los controles o de utilizar el horno.

Activar/Desactivar energía en modo de espera:

- 1 Toque y mantenga presionado el botón CLOCK (Reloj) en el panel de control durante 5 segundos.
- 2 Toque el botón STOP TIME (Detener tiempo) para activarlo o desactivarlo y luego toque el botón ENTER (Intro).

TEMPORIZADOR

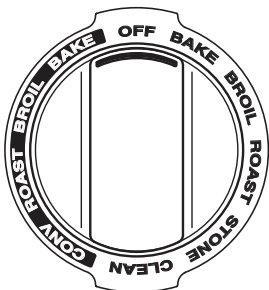
El temporizador se puede ajustar para un máximo de 9 horas y 59 minutos. Una vez que se ajusta el tiempo, la cuenta regresiva se ilumina en la pantalla del panel de control. El último minuto se cuenta en segundos. El temporizador es independiente del horno. Ajustar el temporizador no afecta el tiempo de cocción ni el tiempo de parada. Para obtener información acerca de las características del programa automático, consulte la página 14.

Para configurar el temporizador:

- 1 Presione TIMER (TEMPORIZADOR) en el panel de control.
- 2 Utilice las flechas de arriba y abajo para ajustar la hora en horas y minutos.
- 3 Pulse TIMER (TEMPORIZADOR) para empezar. Una señal sonora indica que el temporizador ha quedado configurado. El horno emitirá una señal sonora y el tiempo parpadeará cuando haya terminado. El temporizador seguirá sonando hasta que presione CLEAR (BORRAR) en el panel de control.

Modos de cocción

MODO	ANILLO	PRECONFIGURADO	RANGO	SONDA UTILIZA
Convección	CONV	325 °F (165 °C)	170 a 550 °F (75 a 290 °C)	• El movimiento uniforme del aire hace posible la cocción en varios niveles de rejillas con un dorado uniforme.
Hornear por convección	BAKE (HORNEAR)	375°F (190°C)	170 a 550 °F (75 a 290 °C)	• Ideal para hornear tartas.
Asar por convección	ROAST (ASAR)	325 °F (165 °C)	170 a 550 °F (75 a 290 °C)	• Perfecto para asar cortes tiernos de res, cordero, puerco y aves.
Asado por convección	BROIL ASADO	Br1 Br2 Br3	550°F (290°C) 450°F (230°C) 350°F (175°C)	Acorta el tiempo de asado para cortes más gruesos de carne, pescado y aves. Utilice la parrilla de dos partes y siempre realice el asado con la puerta del horno cerrada.
Hornear	BAKE (HORNEAR)	350°F (175°C)	170 a 550 °F (75 a 290 °C)	• Lo mejor para cocinar en rejilla sencilla, principalmente alimentos horneados. Utilice para recetas estándar.
Asar	ROAST (ASAR)	350 °F (175 °C)	170 a 550 °F (75 a 290 °C)	• El mejor para asar cortes menos tiernos de carne, como asados en trozo y carne para estofado que debe ir cubierta.
Asado	BROIL (ASADO)	Br1 Br2 Br3	550°F (290°C) 450°F (230°C) 350°F (175°C)	Lo mejor para asar piezas de carne, pescado y aves hasta de 1" de grosor. Utilice la parrilla de dos partes y siempre realice el asado con la puerta del horno cerrada.
Piedra para hornear	STONE (PIEDRA)	400 °F (205 °C)	170 a 550 °F (75 a 290 °C)	• Hornear sobre una piedra cerámica. Excelente para pizza y pan. Se requiere un accesorio de piedra para hornear. Hornos de 30" y 36" solamente.
Fermentación	PROOF (FERMENTACIÓN)	85°F (30°C)	85 a 110 °F (30 a 45 °C)	• Ideal para fermentar o levar la masa de pan. Horno de 18" solamente. Para los hornos de 30" y 36", consulte la página 13.
Deshidratación	CONV	135°F (60°C)	110 a 160 °F (45 a 70 °C)	Seca una variedad de frutas, vegetales y carnes. Se requieren accesorios para rejillas. Consulte la página 13.
Autolimpieza	CLEAN (LIMPIAR)			El horno alcanza una temperatura extremadamente alta para permitir que los residuos de alimentos se quemen. Consulte la página 15.



Anillo de selección
(hornos de 30"/36")



Anillo de selección
(horno de 18")

Fermentación

Ajuste de los controles para los hornos de 30" y 36":

- 1 Gire el anillo de selección a BAKE (HORNEAR).
- 2 Gire la perilla de control del horno hacia la izquierda hasta que se visualice "PrF", luego suelte la perilla.
- 3 La temperatura del horno está preestablecida a 85 °F (30 °C). Presione ENTER (INTRO) para seleccionar la temperatura preestablecida o gire la perilla de control para cambiar la temperatura. La pantalla alterna entre la temperatura programada y "PrF".

Deshidratación

Se requiere un kit de accesorios. Los accesorios están disponibles a través de un distribuidor autorizado de Wolf. Para obtener más información acerca de los distribuidores locales, visite la sección para encontrar una sala de exposición de nuestro sitio web, wolfappliance.com.

Ajuste de los controles:

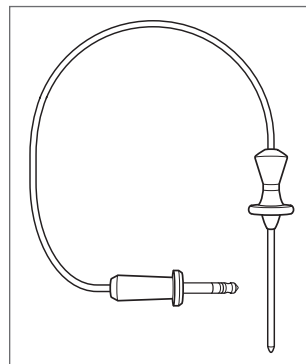
- 1 Coloque el tope de puerta suministrado con su kit de accesorios en la cerradura de la puerta del horno.
- 2 Gire el anillo de selección a **CONV**.
- 3 Gire la perilla de control del horno hacia la izquierda hasta que se visualice "dEH", luego suelte la perilla.
- 4 La temperatura del horno está preestablecida a 110°F (45°C). Presione ENTER (INTRO) para seleccionar la temperatura preestablecida o gire la perilla de control para cambiar la temperatura. La pantalla alterna entre la temperatura programada y "dEH".

Sonda de temperatura

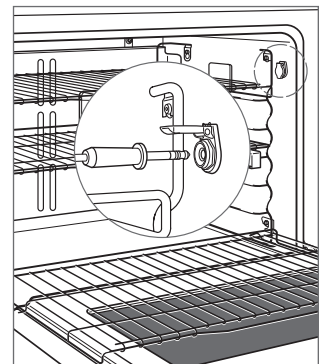
La sonda de temperatura mide la temperatura interna de los alimentos durante la cocción. Se puede utilizar con todos los modos de cocción excepto el de asado y asado por convección.

Ajuste de los controles:

- 1 Gire el anillo de selección al modo de cocción deseado.
- 2 Presione ENTER (INTRO) para seleccionar la temperatura preestablecida o gire la perilla de control para cambiar la temperatura.
- 3 Inserte la sonda en la parte más gruesa de la comida. Al hacer pan, cocine aproximadamente 10 minutos antes de insertar la sonda.
- 4 Cuando el precalentamiento esté completo, utilice un guante de cocina para levantar la cubierta del recipiente de la sonda y luego inserte la sonda.
- 5 La temperatura de la sonda está preestablecida en 160 °F (70 °C). Presione ENTER (INTRO) para seleccionar la temperatura preestablecida o gire la perilla de control para cambiar la temperatura. La pantalla alterna entre la temperatura programada del horno y la temperatura real de la sonda. Para alternar entre el punto establecido de la sonda y la temperatura real de la sonda, presione PROBE (SONDA). Las temperaturas inferiores a 70 °F (20 °C) se visualizan como "Lo".
- 6 Una señal sonora indica que la temperatura interna ha alcanzado el punto establecido de la sonda. Retire y luego vuelva a insertar la sonda para comprobar la temperatura interna.



Sonda de temperatura



Recipiente de la sonda

Programa automático

COCCIÓN CRONOMETRADA

La cocción cronometrada apaga automáticamente el horno a una hora específica. El horno empezará a calentar inmediatamente y se apagará a la hora que usted desee que se apague. El reloj debe estar configurado con la hora correcta para que la cocción cronometrada funcione correctamente. Utilice cualquier modo de cocción excepto el de asado, asado por convección y piedra para hornear.

Ajuste de los controles:

- 1 Gire el anillo de selección al modo de cocción deseado.
- 2 Presione ENTER (INTRO) para seleccionar la temperatura preestablecida o gire la perilla de control para cambiar la temperatura.
- 3 Presione COOK TIME (TIEMPO DE COCCIÓN). Utilice las flechas para seleccionar el tiempo de la cocción deseado en horas y minutos.
- 4 Presione ENTER (INTRO).

INICIO RETARDADO

El inicio retardado enciende y apaga el horno automáticamente a una hora específica. El horno permanecerá inactivo hasta la hora de inicio deseada y se apagará a la hora que usted desee que se apague. El reloj debe estar configurado con la hora correcta para que el inicio retardado funcione correctamente. Utilice cualquier modo de cocción excepto el de asado, asado por convección y piedra para hornear.

Ajuste de los controles:

- 1 Gire el anillo de selección al modo de cocción deseado.
- 2 Presione ENTER (INTRO) para seleccionar la temperatura preestablecida o gire la perilla de control para cambiar la temperatura. Si presiona ENTER (INTRO), el horno se encenderá inmediatamente, pero entrará en modo inactivo una vez que configure la hora de apagado.
- 3 Presione COOK TIME (TIEMPO DE COCCIÓN). Utilice las flechas para seleccionar el tiempo de la cocción deseado en horas y minutos.
- 4 Presione STOP TIME (TIEMPO DE APAGADO). Utilice las flechas para seleccionar la hora a la que el horno se debe apagar.
- 5 Presione ENTER (INTRO).

Autolimpieza

Durante la autolimpieza, el horno alcanza una temperatura extremadamente alta para quemar los residuos de los alimentos. Retire todas las rejillas del horno y las guías de las rejillas. Estas perderán su color si las deja dentro del horno durante la autolimpieza. La puerta del horno se bloqueará y permanecerá bloqueada hasta que autolimpieza esté completa y la temperatura del horno haya descendido a menos de 300 °F (150 °C). Los tiempos de autolimpieza incluyen una hora de enfriamiento.

Ajustar los controles para una autolimpieza de 4 horas:

- 1 Gire el anillo de selección a CLEAN (LIMPIEZA).
- 2 Presione ENTER (INTRO).

Ajustar los controles para una autolimpieza de 3 horas:

- 1 Gire el anillo de selección a CLEAN (LIMPIEZA).
- 2 Presione STOP TIME (TIEMPO DE APAGADO).
- 3 Presione la flecha hacia abajo para reducir el tiempo de apagado por 1 hora.
- 4 Presione ENTER (INTRO) dos veces.

La porcelana está hecha de productos naturales y, por tanto, puede quebrarse o desarrollar finas líneas y grietas debido a la expansión y contracción que ocurre al fluctuar la temperatura del horno (especialmente cuando se usa la función de autolimpieza). Esto puede resultar en imperfecciones cosméticas, tales como una apariencia turbia, opaca o rasguñada. Las imperfecciones cosméticas pueden ser más visibles en una cavidad de horno con color.

⚠ PRECAUCIÓN

Durante la autolimpieza las superficies externas pueden alcanzar una temperatura más alta de lo normal. Debe mantener a los niños alejados.

Sabbath

Este electrodoméstico lleva el certificado Star-K que indica que cumple con estrictas normas religiosas junto con instrucciones específicas que aparecen en www.star-k.org. El modo de Sabbath anula la función de apagado automático por 12 horas. El modo de Sabbath debe restablecerse después de un corte de energía.

Ajuste de los controles:

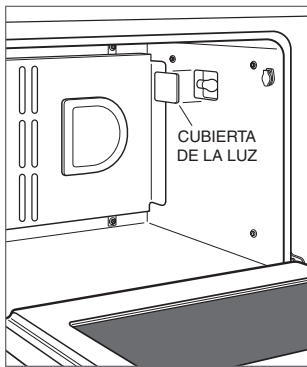
- 1 Encienda o apague la luz del horno.
- 2 Gire el anillo de selección a BAKE (HORNEAR) o ROAST (ASAR) y seleccione la temperatura deseada.
- 3 Presione y mantenga presionado ENTER (INTRO) durante 5 segundos. "SAb" aparecerá y parpadeará en la perilla de control del horno para indicar que el modo de Sabbath se ha iniciado.
- 4 Para cambiar la temperatura del horno mientras se encuentra en modo de Sabbath, gire la perilla de control. Cada giro aumentará o disminuirá la temperatura en 10° (F o C). La pantalla y la señal sonora están desactivadas, pero la temperatura cambiará de forma aleatoria después de seleccionar nueva temperatura. El horno permanecerá encendido hasta que gire el anillo de selección a OFF (APAGADO).

Luz del horno

⚠ ADVERTENCIA

Compruebe que la energía esté desconectada de la caja eléctrica antes de reemplazar el foco.

Deje que el horno enfríe por completo, luego retire las rejillas del horno y las guías de las rejillas. Para retirar la cubierta de la luz, haga palanca suavemente en el borde inferior con un destornillador plano. Retire el foco existente y reemplácelo con un foco de halógeno de 40 vatios. Consulte la siguiente ilustración.



Reemplazo del foco

Quemadores superiores

Para encender un quemador, empuje y gire la perilla de control correspondiente en sentido opuesto a las manecillas del reloj a HI (ALTO). El piloto comenzará a hacer clic hasta que se encienda el quemador. Una vez encendido, siga girando la perilla de control en sentido opuesto a las manecillas del reloj hasta llegar a la programación deseada.

Para seleccionar una programación a fuego lento, gire la perilla de control hasta que se detenga en la programación más baja. Pulse y siga girando en sentido opuesto a las manecillas del reloj. La llama pasará al segundo nivel en la tapa del quemador. Siga girando la perilla hasta llegar a la programación de fuego lento deseada.

Durante un corte de energía, los quemadores superiores se pueden encender manualmente. Gire la perilla a HI (ALTO) y encienda con un encendedor multiusos.

⚠ PRECAUCIÓN

Nunca deje desatendidas las cacerolas en una programación de alta temperatura. Tenga cuidado al cocinar los alimentos en grasa o aceite, estos pueden calentarse lo suficiente como para incendiarse.

Parrilla infrarroja

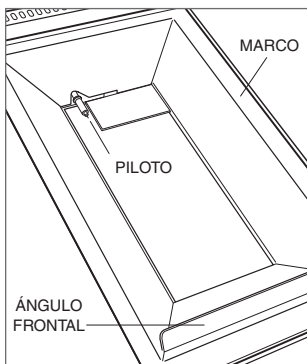
La parrilla tiene un quemador infrarrojo que transfiere un calor intenso a los alimentos, por lo que dora el exterior y sella los jugos dentro. Cocine los alimentos directamente sobre la rejilla de la parrilla, no utilice utensilios de cocina. El espacio de 7" (178) detrás de la parrilla es más fresco que el resto de la superficie. Puede utilizar esta zona para mantener los alimentos hasta que estén listo para servirlos.

Cómo ensamblar la parrilla:

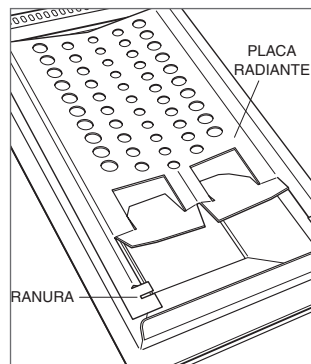
- 1 Para ensamblar, coloque el marco de la parrilla sobre la estufa. Consulte la siguiente ilustración.
- 2 Alinee las ranuras de la placa radiante con el ángulo frontal del marco. Consulte la siguiente ilustración. Las ranuras deben ajustarse sobre el ángulo frontal y quedar completamente planas sobre el marco de la parrilla.
- 3 Instale la rejilla de la parrilla.

⚠ PRECAUCIÓN

Tenga cuidado al ensamblar la parrilla para evitar el contacto con el piloto.



Marco de la parrilla



Placa radiante de la parrilla

FUNCIONAMIENTO DE LA PARRILLA

La cubierta de acero inoxidable se debe retirar antes de utilizarla.

- 1 Encienda la ventilación.
- 2 Presione y gire la perilla de control en sentido opuesto a las manecillas del reloj hasta llegar a HI (ALTO). El piloto comenzará a hacer clic hasta que se encienda el quemador.
- 3 Deje que se caliente durante 10 minutos.

CUIDADO DE LA PARRILLA

- Una vez que termine de cocinar, deje encendida la parrilla durante 10 minutos. El fuego alto ayudará a quemar el exceso de partículas de alimentos.
- Una vez que la rejilla se enfríe, retírela y colóquela en el fregadero. Cúbrala con toallas de cocina húmedas y vierta agua sobre ella para aflojar los residuos. Limpie con jabón y una almohadilla abrasiva. Enjuague y seque.
- Para limpiar el marco, retírelo y colóquelo en el fregadero. Remójelo en agua caliente y detergente suave. Lávelo y frótelo con una almohadilla abrasiva.

Plancha infrarroja

La plancha está controlada por termostato para mantener una temperatura constante. Para evitar que los alimentos se peguen, es necesario "preparar" la plancha antes de usarla.

Preparación de la plancha:

- 1 La plancha tiene una capa protectora que debe quitarse antes de usarla. Utilice agua caliente y detergente suave para quitarla. Enjuague y seque.
- 2 Encienda la ventilación.
- 3 Presione y gire la perilla de control en sentido opuesto a las manecillas del reloj hasta llegar a 350 °F (175 °C) y caliente durante 30 minutos. Una vez transcurridos los 30 minutos, APAGUE y deje enfriar.
- 4 Cuando la superficie esté ligeramente caliente, vierta una pequeña cantidad de aceite de maní o vegetal en una toalla de papel y extiéndala uniformemente.
- 5 Presione y gire la perilla de control a 350° F (175 °C). Caliente hasta que la plancha empiece a sacar humo, luego APAGUE y deje enfriar. Una vez que enfríe, limpie el exceso de aceite.

FUNCIONAMIENTO DE LA PLANCHA

La cubierta de acero inoxidable se debe retirar antes de utilizarla.

- 1 Encienda la ventilación.
- 2 Presione y gire la perilla de control en sentido opuesto a las manecillas del reloj hasta alcanzar la temperatura deseada. El piloto comenzará a hacer clic hasta que se encienda el quemador. La plancha doble tiene controles independientes para cada lado.
- 3 La luz indicadora encima de la perilla se enciende hasta que la plancha alcanza la temperatura programada. La luz se encenderá y apagará por ciclos a medida que se necesita más calor para mantener la temperatura programada.

CUIDADO DE LA PLANCHA

- Raspe la grasa en la bandeja de recolección de grasa después de cada uso. Cuando la superficie se haya enfriado, límpiela con papel absorbente para retirar el exceso de grasa o aceite.
- Después de cada uso, vuelva a aplicar una pequeña cantidad de aceite de maní o vegetal en una toalla de papel y extiéndala uniformemente.
- De vez en cuando, retire la preparación. Vierta 1/2 taza (120 ml) de agua tibia y 1 cucharadita (5 ml) de limpiador para plancha sobre la plancha y raspe la grasa en la bandeja de recolección de grasa, y después vacíela. Una vez que esté seca, vuelva a aplicar una pequeña cantidad de aceite para prepararla.

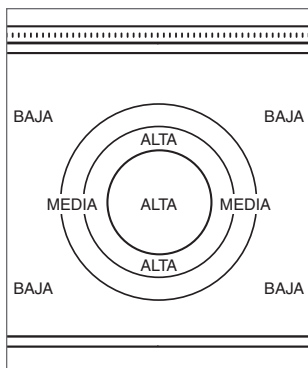
Encimera francesa

La encimera francesa (french top) es una superficie de cocción graduada con la temperatura más alta debajo de la placa central. Siempre utilice utensilios de cocina, no cocine los alimentos directamente sobre la superficie. Para más calor de cocción, coloque los utensilios más cerca del centro y para menos calor, más cerca de los bordes. Consulte la siguiente ilustración.

Para proteger la superficie contra las salpicaduras de alimentos y la humedad, es necesario "preparar" la encimera francesa antes de utilizarla.

Preparación de la encimera francesa:

- 1 La encimera francesa tiene una capa protectora que debe quitarse antes de su uso. Utilice agua caliente y detergente suave para quitarla. Enjuague y seque.
- 2 Encienda la ventilación.
- 3 Presione y gire la perilla de control en sentido opuesto a las manecillas del reloj hasta llegar a HI (ALTO) y caliente durante 30 minutos. Una vez transcurridos los 30 minutos, APAGUE y deje enfriar.
- 4 Cuando la superficie esté ligeramente caliente, vierta una pequeña cantidad de aceite de maní o vegetal en una toalla de papel y extienda uniformemente.



Zonas de calentamiento de la encimera francesa



Cómo extraer la placa central

FUNCIONAMIENTO DE LA ENCIMERA FRANCESA

La cubierta de acero inoxidable se debe retirar antes de utilizarla.

- 1 Encienda la ventilación.
- 2 Presione y gire la perilla de control en sentido opuesto a las manecillas del reloj hasta llegar a HI (ALTO). El piloto comenzará a hacer clic hasta que se encienda el quemador.
- 3 Deje que se caliente durante 30 minutos.

⚠ PRECAUCIÓN

Nunca deje cacerolas desatendidas en una zona de alta temperatura. Tenga cuidado al cocinar los alimentos en grasa o aceite, estos pueden calentarse lo suficiente como para incendiarse.

CUIDADO DE LA ENCIMERA FRANCESA

- Limpie toda la superficie después de cada uso cuando aún esté ligeramente caliente. Limpie con detergente suave y agua. Enjuague y seque.
- Después de cada uso, vuelva a aplicar una pequeña cantidad de aceite de maní o vegetal en una toalla de papel y extienda uniformemente.
- De vez en cuando, retire la preparación. Aplique una pequeña cantidad de vinagre blanco y agua a la superficie cuando aún se encuentre ligeramente caliente. Frote y repita hasta que haya retirado todo el exceso de aceite. Vuelva a aplicar una pequeña cantidad de aceite para prepararla.
- El quemador de la encimera francesa se encuentra debajo de la placa central. Para retirarlo, utilice el gancho de la placa central suministrado con la estufa tal y como se muestra en la ilustración. Nunca retire la placa central durante la cocción.

Recomendaciones sobre el cuidado

LIMPIEZA

Acero inoxidable	Use un limpiador no abrasivo para acero inoxidable y aplique con un paño suave sin pelusa. Para resaltar el lustre natural, limpie suavemente la superficie con una tela de microfibra humedecida con agua, seguida con una gamuza para pulir en seco. Siempre siga la dirección del acabado del acero inoxidable.
Parrillas de quemadores Guías de las rejillas del horno	Retire y coloque sobre una superficie plana cerca del fregadero. Límpielas con agua caliente y un detergente suave o con pasta de bicarbonato de sodio y agua. No las sumerja en agua. Seque con una toalla.
Bandeja del quemador	Retire los desechos de la superficie antes de limpiarla para agilizar el proceso de limpieza y disminuir las posibilidades de rayar la superficie. Utilizando limpiadores ligeramente abrasivos o desengrasantes en aerosol, limpie y enjuague la superficie y séquela de inmediato para evitar que se raye. Utilice vinagre blanco y agua para limpiar las manchas ocasionadas por el agua con alto contenido de minerales. Enjuague y seque de inmediato.
Quemadores superiores	Deje enfriar. Límpielos con detergente suave o desengrasante en aerosol. Enjuague con agua y séquelos con una toalla.
Parrilla Plancha Encimera francesa	Consulte las páginas 17 a 19 para consultar las recomendaciones de cuidado.
Perillas de control Anillos	Utilizando un paño húmedo, límpielos con detergente suave o desengrasante en aerosol; enjuague y deje secar. No los coloque en el lavavajillas.
Panel de control	Utilice desengrasante en aerosol para retirar las marcas de los dedos y los residuos de alimentos. Rocíe el producto en un paño antes de limpiar el panel. AVISO IMPORTANTE: No aplique los limpiadores directamente sobre el panel de control.
Interior del horno	AVISO IMPORTANTE: Retire todos los derrames de alimentos (especialmente salsas azucaradas, ácidas y a base de tomate) cuando el interior del horno sea seguro para tocar. Algunas imperfecciones son permanentes, pero no afectan la función de la porcelana. Antes de activar la función de autolimpieza, retire suavemente con un cuchillo los restos de alimentos adheridos a la cavidad y la puerta del horno. Para eliminar manchas difíciles, aplique un limpiador ligeramente abrasivo o desengrasante en aerosol y frótelos con una esponja Scotch-Brite™ cero rayones (rosa o azul). Lave la cavidad del horno con agua y jabón para eliminar todos los productos químicos de limpieza antes de activar el modo de autolimpieza. Si no se retiran los residuos de la cavidad, es posible que la porcelana se desgaste por corrosión. Una vez que el ciclo de autolimpieza haya terminado, deje enfriar el horno por completo y limpie la ceniza con un paño húmedo.
Parrilla para asar	Para limpiar la rejilla superior, utilice detergente suave y un estropajo. Enjuague y seque. Para limpiar la parrilla inferior, deseche la grasa y lave con agua caliente y detergente suave. Enjuague y seque. La rejilla superior de acero inoxidable puede lavarse en lavavajillas, sin embargo, no coloque ninguna rejilla o parrilla cubierta de porcelana en el lavavajillas.

Resolución de problemas

OPERACIÓN

La estufa no funciona.

- Compruebe si la unidad está encendida.
- Compruebe que la alimentación eléctrica a la unidad y el interruptor de circuito de la casa estén encendidos.
- El horno se apagará automáticamente después de 12 horas de uso continuo, excepto en los modos de deshidratación o Sabbath.

HORNO

Problema con la temperatura del horno.

- Póngase en contacto con la línea de atención al cliente de Wolf al 800-222-7820 para obtener recomendaciones.

No se visualiza la perilla de control.

- Jale la perilla de control del horno hacia fuera y vuelva a insertar plenamente. Apague el interruptor de circuito durante 5 segundos, después vuelva a encenderlo.

El panel táctil del panel de control no responde.

- Gire el anillo a OFF (APAGAR) para salir del modo de Sabbath.
- Apague el interruptor de circuito durante 5 segundos, después vuelva a encenderlo.

Se visualiza "SAb" en la perilla de control del horno.

- Gire el anillo a OFF (APAGAR) para salir del modo de Sabbath.

Se visualiza "PF" en la perilla de control del horno.

- La unidad tuvo un corte de energía. Gire el anillo de selección a un modo de cocción, luego regrese a OFF (APAGAR) para reiniciar.
- Apague el interruptor de circuito durante 5 segundos, después vuelva a encenderlo.

Se visualiza "OPP" en la perilla de control del horno.

- Uno de los hornos puede estar en modo de autolimpieza. Si un horno está en modo de autolimpieza, el otro no puede utilizarse.

Se visualiza "OE", "OC" u otro error.

- Póngase en contacto con el servicio certificado de fábrica de Wolf.

El horno hace "pop" o "bang" durante el precalentamiento o el enfriamiento.

- Eso es normal debido a la expansión y contracción de la nueva cavidad del horno.
- Ejecute un ciclo de autolimpieza. Si el problema persiste, comuníquese con la línea de atención al cliente de Wolf al 800-222-7820.

SUPERFICIE DE LA ESTUFA

Flama errática, encendido inadecuado o no enciende.

- Compruebe que las tapas de los quemadores estén colocadas correctamente.
- Limpie bien el quemador y el piloto.
- Si se derramó agua recientemente, deje que el área seque por completo. Utilice una secadora de cabello si así lo desea.
- Si la tapa del quemador se asegura a la cabeza del quemador, compruebe que esté bien sujeta.
- Empuje la perilla hacia adentro, luego suéltela. Compruebe que la perilla regrese a su posición original.

La parrilla hace clic continuamente.

- Compruebe que la perilla se encuentre completamente en HI (ALTO).

La luz indicadora de la plancha parpadea.

- Apague la perilla y luego vuelva a encenderla. La llama se apagó y la unidad entró en modo de bloqueo de seguridad.

Resolución de problemas

SERVICIO

- Para mantener la calidad incorporada en su producto, póngase en contacto con el servicio certificado de fábrica de Wolf. Para obtener los datos del centro de servicio autorizado de Wolf más cercano, consulte la sección de Soporte y Servicio de nuestro sitio web, wolfappliance.com o llame a la línea de atención al cliente de Wolf al 800-222-7820.
- Al comunicarse con el servicio, necesitará el modelo y número de serie de su producto. Los dos números también aparecen en la placa de datos del producto. Consulte la página 8 para encontrar la placa de datos.
- Para fines de la garantía, usted también necesitará la fecha de instalación y el nombre de su distribuidor autorizado de Wolf. Esta información debe estar registrada en la página 3 de este manual.

Garantía limitada residencial de Wolf Appliance

PARA USO RESIDENCIAL

GARANTÍA COMPLETA DE DOS AÑOS*

Durante dos años a partir de la fecha de la instalación original, la garantía de su producto Wolf Appliance cubre todas las partes y mano de obra para reparar o reemplazar, bajo el uso residencial normal, cualquier parte del producto que se compruebe estar defectuosa en material o mano de obra. Todos los servicios proporcionados por Wolf Appliance bajo la garantía anterior deben ser ejecutados por servicios certificados de fábrica de Wolf, a menos que Wolf Appliance, Inc. lo especifique de otra manera. El Servicio será proporcionado durante el horario comercial normal.

GARANTÍA LIMITADA DE CINCO AÑOS

Por cinco años a partir de la fecha de la instalación original, Wolf Appliance reparará o reemplazará los siguientes componentes que se comprueben estar defectuosos en material o mano de obra: quemadores de gas (excluyendo la apariencia), elementos eléctricos de calentamiento, motores de sopladores (campanas de ventilación), módulos de control eléctrico, tubos magnetrón y generadores de inducción. Si el propietario utiliza el servicio certificado de fábrica de Wolf, el prestador del servicio reparará o reemplazará estas partes mediante el pago de todos los otros costos, incluyendo mano de obra, a cargo del propietario. Si el propietario utiliza un servicio no certificado, debe ponerse en contacto con Wolf Appliance, Inc. (utilizando la información anotada más adelante) para recibir los componentes reparados o de reemplazo. Wolf Appliance no reembolsará al propietario los importes correspondientes a componentes comprados a un servicio no certificado o a otras fuentes.

TÉRMINOS APLICABLES A CADA GARANTÍA

La garantía se aplica solamente a los productos instalados para uso residencial normal. La garantía se aplica solamente a los productos instalados en cualquiera de los cincuenta estados de los Estados Unidos, el Distrito de Columbia o las diez provincias de Canadá. Esta garantía no cubre las partes o mano de obra para corregir cualquier defecto causado por negligencia, accidente o uso, mantenimiento, instalación, servicio o reparación inadecuados.

LOS RECURSOS DESCRITOS ANTERIORMENTE PARA CADA GARANTÍA SON LOS ÚNICOS QUE WOLF APPLIANCE, INC. PROPORCIONARÁ, YA SEA BAJO ESTA GARANTÍA O BAJO CUALQUIER GARANTÍA QUE RESULTE DE LA APLICACIÓN DE LA LEY. WOLF APPLIANCE, INC. NO SE HACE RESPONSABLE POR LOS DAÑOS INDIRECTOS O INCIDENTALES DERIVADOS DE LA VIOLACIÓN DE ESTA GARANTÍA O CUALQUIER OTRA GARANTÍA, YA SEA EXPRESA, IMPLÍCITA O LEGAL.

Algunos estados no permiten la exclusión o limitación de daños incidentales o consecuentes, por lo tanto la limitación o exclusión anterior podrían no aplicarse en su caso. Esta garantía le otorga derechos legales específicos, y usted también puede tener otros derechos legales que varían entre estados.

Para recibir las partes o el servicio y el nombre del servicio certificado de fábrica de Wolf más cercano a usted, póngase en contacto con Wolf Appliance, Inc., P.O. Box 44848, Madison, WI 53744; Verifique la sección de Soporte y Servicio de nuestro sitio web, wolfappliance.com, envíenos un correo electrónico a customerservice@subzero.com o llame al 800-222-7820.

*Las puertas, paneles, manijas, estructuras de acero inoxidable y superficies internas están cubiertas por una garantía limitada de 60 días sobre piezas y mano de obra, por defectos cosméticos.

*Los filtros de repuesto para los kits de circulación de la campana de ventilación no están cubiertos por la garantía del producto.



Table des matières

- 4 Précautions de sécurité
- 8 Caractéristiques de la cuisinière mixte
- 9 Fonctionnement du four
- 16 Fonctionnement de la surface
- 20 Conseils d'entretien
- 21 Dépannage
- 23 Garantie Wolf

Service à la clientèle

Le numéro de modèle et le numéro de série sont imprimés sur la fiche d'enregistrement du produit ci-jointe. Les deux numéros sont aussi indiqués sur la plaque signalétique du produit. Reportez-vous à la page 8 pour connaître l'emplacement de la plaque signalétique. Pour les besoins de la garantie, vous devrez aussi avoir la date d'installation et le nom de votre dépositaire Wolf autorisé. Inscrivez ces renseignements ci-dessous pour consultation ultérieure.

RENSEIGNEMENTS SUR LE SERVICE

Numéro de modèle

Numéro de série

Date de l'installation

Nom du service certifié

Numéro du service certifié

Dépositaire autorisé

Numéro du dépositaire

Si votre produit a besoin d'être réparé, assurez-vous d'utiliser un fournisseur de service certifié par l'usine Wolf recommandé par notre centre de service à la clientèle, ou sélectionnez-en un parmi la liste de fournisseurs disponibles à wolfappliance.com/locator. Tous les fournisseurs de service certifiés par l'usine sont soigneusement sélectionnés et rigoureusement formés par nous.

Remarque importante

Pour s'assurer que ce produit est installé et utilisé en toute sécurité et aussi efficacement que possible, prenez note des types de renseignements mis en évidence tout au long de ce guide :

REMARQUE IMPORTANTE met en évidence des renseignements qui sont particulièrement importants.

MISE EN GARDE indique une situation où une blessure mineure ou des dommages au produit peuvent se produire si les directives ne sont pas respectées.

AVERTISSEMENT décrit un danger qui peut causer une blessure grave ou la mort si les précautions ne sont pas respectées.

REMARQUE IMPORTANTE : tout au long de ce guide, les dimensions entre parenthèses sont en millimètres à moins d'indication contraire.

DIRECTIVES IMPORTANTES

⚠ AVERTISSEMENT

Si les renseignements se trouvant dans ce manuel ne sont pas respectés à la lettre, un incendie ou une explosion peuvent se produire causant ainsi des dommages matériels, des blessures ou la mort.

Ne rangez pas et n'utilisez pas de l'essence ou d'autres vapeurs ou liquides inflammables à proximité de cet appareil ou de tout autre appareil.

QUOI FAIRE SI VOUS SENTEZ DU GAZ :

- Ne tentez pas d'allumer un appareil.
- Ne touchez pas aux commutateurs électriques.
- N'utilisez pas les téléphones se trouvant dans votre édifice.
- Communiquez immédiatement avec votre fournisseur de gaz en utilisant le téléphone d'un voisin. Suivez les directives du fournisseur de gaz.
- Si vous ne pouvez pas joindre votre fournisseur de gaz, communiquez avec les pompiers.

Cet appareil doit être correctement installé et réparé par un installateur qualifié, une agence de service ou un fournisseur de gaz et mis à la terre par un technicien qualifié.

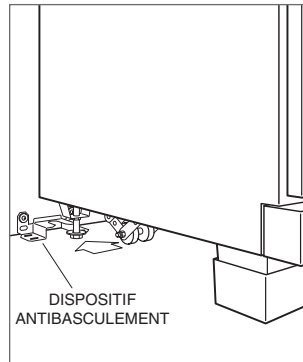
⚠ AVERTISSEMENT

Un enfant ou un adulte peuvent faire basculer cet appareil et être tués.

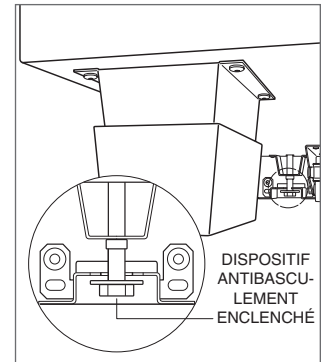
Vérifiez que le dispositif antibasculement est correctement installé et enclenché. Assurez-vous que le dispositif antibasculement est enclenché à nouveau lorsque l'appareil est déplacé. Reportez-vous aux illustrations ci-dessous pour savoir comment vérifier l'installation.

Ne faites pas fonctionner cet appareil sans que le dispositif antibasculement ne soit en place et enclenché. Le non-respect de cette directive peut entraîner la mort ou des brûlures graves aux enfants ou aux adultes.

Pour réduire le risque de brûlure, ne déplacez pas cet appareil lorsqu'il est chaud.



Emplacement du dispositif antibasculement



Dispositif antibasculement enclenché

DIRECTIVES IMPORTANTES

PRÉCAUTIONS DE SÉCURITÉ GÉNÉRALE

- Lisez ce guide attentivement avant d'utiliser cet appareil afin de réduire le risque d'incendie, de choc électrique ou de blessures.
- Avant d'effectuer tout service, coupez l'alimentation en gaz en fermant le robinet d'arrêt du gaz et coupez l'alimentation en électricité vers l'appareil.
- Gardez la zone de l'appareil propre et libre de matériaux combustibles.
- Pour une question de sécurité lorsque vous cuisinez, réglez les commandes des brûleurs de manière à ce que la flamme ne se prolonge pas au-delà du fond du chaudron.
- Faites attention lorsque vous ouvrez la porte du four. Laissez l'air chaud ou la vapeur s'échapper avant de regarder ou de mettre les bras dans le four.
- **IMPORTANT** : n'installez pas un système de ventilation qui souffle de l'air vers le bas vers cet appareil de cuisson au gaz. Ce type de système de ventilation peut causer des problèmes d'allumage et de combustion avec cet appareil de cuisson au gaz, entraînant des blessures ou un fonctionnement non prévu.
- N'utilisez pas du papier en aluminium pour couvrir toute partie de cet appareil.
- N'utilisez jamais cet appareil pour réchauffer ou chauffer la pièce. Cela peut causer un empoisonnement au monoxyde de carbone.
- Assurez-vous que l'admission d'air frais du four (au-dessus de la porte) et le conduit de sortie du four (sous la porte) soient dégagés en tout temps.
- Portez des vêtements appropriés. Des vêtements lâches ou pendants ne doivent jamais être portés lorsque vous utilisez cet appareil.
- Faites extrêmement attention lorsque vous déplacez une marmite de graisse ou jetez de la graisse chaude.
- Utilisez toujours des poignées sèches pour retirer les casseroles de cet appareil. Des poignées mouillées ou humides peuvent causer des brûlures de vapeur. N'utilisez pas une serviette ou un chiffon épais au lieu de poignées.
- Placez les grilles du four aux endroits désirés lorsque le four est froid. Si une grille doit être déplacée et que le four est déjà chaud, assurez-vous que les poignées n'entrent pas en contact avec l'élément chauffant chaud du four.

DIRECTIVES IMPORTANTES

PRÉCAUTIONS DE SÉCURITÉ GÉNÉRALE

- Nettoyez seulement les pièces indiquées dans ce guide.
- N'utilisez pas de nettoyeurs pour le four. Aucun nettoyeur pour le four commercial ni aucun revêtement protecteur de toute sorte ne doivent être utilisés dans ou autour des pièces du four.
- Avant d'utiliser la fonction autonettoyage, retirez la lèchefrite, les grilles du four, les guides de grille et tout autre ustensile.
- Ne réparez pas et ne remplacez pas toute pièce de cet appareil à moins que cela ne soit spécifiquement recommandé dans la documentation accompagnant l'appareil.
- Ne bloquez pas le débit d'air pour assurer une combustion et une ventilation appropriées.
- Lorsque vous utilisez cet appareil, ne touchez pas aux grilles, aux capuchons de brûleur, aux bases des brûleurs ou à toute autre partie à proximité de la flamme. Ces pièces peuvent être assez chaudes pour causer des brûlures.
- Ne nettoyez pas le joint du four; le frottement ou le déplacement du joint peuvent compromettre l'étanchéité de la porte.
- N'utilisez pas de l'eau sur des incendies de graisse. Éteignez la flamme ou utilisez un extincteur à poudre chimique ou à mousse.
- Ne laissez jamais l'appareil sans surveillance lorsqu'il fonctionne. Les débordements par bouillonnement et les renversements de graisse peuvent créer de la fumée ou s'enflammer.
- Ne touchez pas aux éléments chauffants ou aux surfaces intérieures du four. Les éléments chauffants peuvent être chauds même s'ils sont de couleur foncée. Les surfaces intérieures deviennent assez chaudes pour causer des brûlures. Pendant et après l'utilisation, ne touchez pas et ne laissez pas les vêtements ou d'autres matériaux inflammables entrer en contact avec les éléments chauffants ou les surfaces intérieures du four avant qu'ils n'aient eu suffisamment de temps pour se refroidir.
- Ne laissez pas des enfants seuls ou sans surveillance dans la zone où cet appareil est utilisé. Ne laissez jamais des enfants s'asseoir ou se tenir debout sur l'appareil.
- Ne rangez pas des articles intéressants pour les enfants au-dessus ou à l'arrière de cet appareil puisqu'ils pourraient grimper sur l'appareil pour les atteindre et se blesser.
- Ne chauffez pas des contenants d'aliment non ouverts comme les pots et les boîtes de nourriture pour bébé. L'accumulation de pression peut faire éclater le contenant et causer des blessures.
- Ne rangez pas des matériaux inflammables près des brûleurs et ne laissez pas de la graisse ou d'autres substances inflammables s'accumuler sur la surface de cuisson.

DIRECTIVES IMPORTANTES

▲ AVERTISSEMENT

PROPOSITION 65 POUR RESIDENTS DE LA CALIFORNIE


Cancer et Troubles de l'appareil reproducteur—
www.P65Warnings.ca.gov

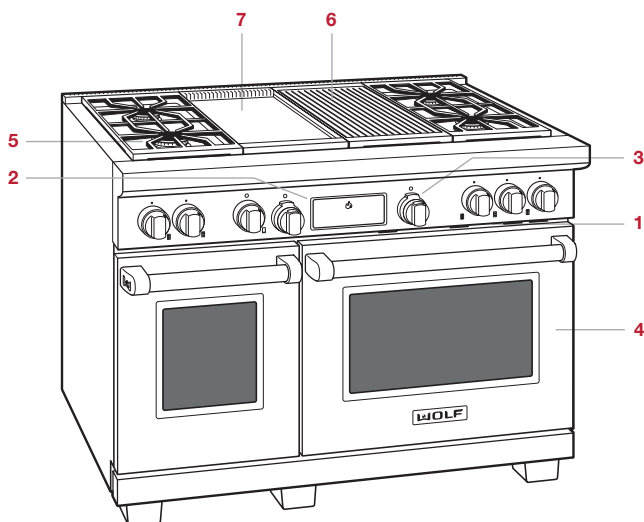
COMMONWEALTH DU MASSACHUSETTS

- Les installations et les réparations doivent être effectuées par un entrepreneur ou un plombier qualifié ou autorisé ou un monteur d'installation au gaz qualifié ou autorisé par l'État, la province ou la région où cet appareil sera installé.
- Utilisez seulement des robinets d'arrêt du gaz approuvés pour utilisation dans l'État, la province ou la région où cet appareil sera installé.
- Si un connecteur de gaz souple est utilisé, il ne doit pas dépasser 3 pi (0,9 m) de longueur.

Caractéristiques de la cuisinière mixte

CARACTÉRISTIQUES

1	Plaque signalétique du produit
2	Panneau de commande (appuyez sur  pour y accéder)
3	Bouton de commande du four
4	Four à convection
5	Brûleur de surface
6	Grilloir type charbon de bois en option
7	Plaque à frire en option
8	Table de cuisson française en option (non illustrée)



Cuisinière mixte de 48 po illustrée

Comment commencer

Nous savons que vous êtes impatient de commencer à cuisiner, mais avant de le faire, veuillez prendre quelques instants pour lire ce guide d'utilisation et d'entretien. Que vous soyez un cuisinier occasionnel ou un chef expert, il vous sera bénéfique de vous familiariser avec les pratiques de sécurité, les caractéristiques, le fonctionnement et les recommandations d'entretien de votre cuisinière mixte de Wolf.

- Pour s'assurer que toute l'huile résiduelle du processus de fabrication a été enlevée, nettoyez la cuisinière à fond avec de l'eau chaude et un détergent doux avant de l'utiliser. Rincez et séchez avec un chiffon doux. Reportez-vous aux recommandations d'entretien à la page 20.
- Vérifiez que les composants du brûleur en surface soient correctement assemblés.
- Le grilloir type charbon de bois, la plaque à frire et la table de cuisson française en option nécessitent une attention spéciale. Reportez-vous aux pages 17 à 19.
- Pour obtenir les meilleurs résultats, révisez les modes de cuisson et les caractéristiques spéciales à la page 12.

⚠ MISE EN GARDE

Ne placez pas des casseroles dans le fond du four et n'utilisez pas du papier d'aluminium ou d'autres matériaux pour couvrir le fond ou les parois du four. Le non-respect de cet avis endommagera l'intérieur en porcelaine et annulera votre garantie.

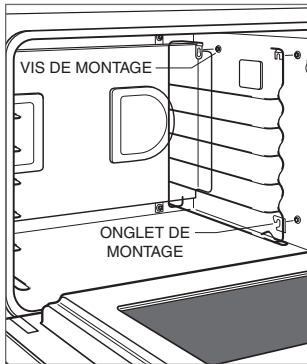
Grilles du four

GUIDES DES GRILLES DU FOUR

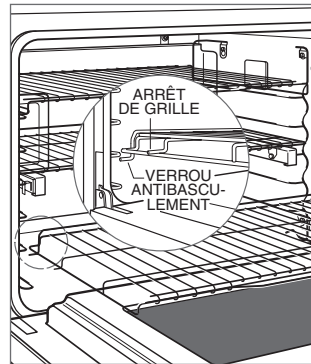
Pour insérer les guides de grille dans le four, repérez les vis de montage dans les parois latérales du four. Placez les onglets de montage du guide de grille sur les vis et glissez vers le bas jusqu'à ce qu'il soit bien appuyé. Reportez-vous à l'illustration ci-dessous.

GRILLES DE FOUR

Pour insérer une grille standard dans le four, placez le verrou antibasculement de la grille sous les rails latéraux du guide de grille. Glissez la grille vers l'arrière et soulevez-la pour contourner les arrêts de grille. Continuez à glisser la grille vers l'arrière jusqu'à ce qu'elle soit complètement à l'intérieur du four. Reportez-vous à l'illustration ci-dessous.



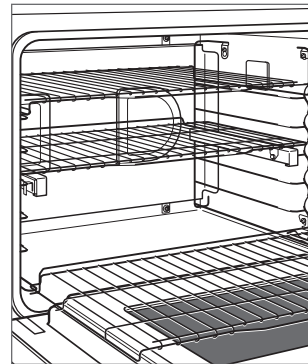
Guides de grille du four



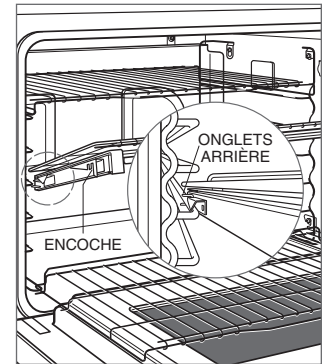
Verrouillage antibasculement de grille du four

La grille de four inférieure peut être sortie complètement et soutenue par la porte du four. La grille étant à la position de guide de grille la plus basse, glissez-la sur les guides de porte pour augmenter sa stabilité et son accès. Reportez-vous à l'illustration ci-dessous.

Pour insérer une grille facile à glisser à extension complète, placez les deux onglets arrière sur le guide de grille (un onglet au-dessus et un onglet en-dessous). Reportez-vous à l'illustration ci-dessous. Inclinez la grille légèrement et glissez-la vers l'arrière jusqu'à ce que l'encoche de grille avant enclenche le guide de grille avant.




Grille inférieure



Grille à extension complète

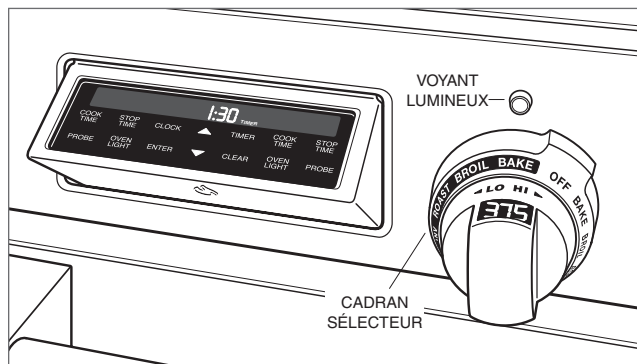
Fonctionnement du four

Les cuisinières mixtes de Wolf utilisent une combinaison d'un cadran sélecteur de mode de cuisson, de bouton de commande de température du four et un panneau de commande électronique pour sélectionner les modes de cuisson désirés, la température du four et les fonctions exclusives. Ouvrez le panneau de commande en appuyant sur .

Les températures sont affichées en Fahrenheit. Pour passer à Celsius, touchez et tenez la touche CLOCK (horloge) pendant cinq secondes. Touchez à COOK TIME (durée de cuisson) pour alterner entre °F et °C, puis touchez à ENTER (entrée).

Lorsque vous utilisez le four, Wolf a créé un processus à deux étapes pour s'assurer qu'il n'est jamais accidentellement mis en marche :

- 1 Tournez le cadran sélecteur au mode de cuisson désiré. Les modes standards sont affichés dans la zone argentée du cadran. Les modes à convection sont affichés dans la zone noire du cadran. Reportez-vous à l'illustration ci-dessous. Une fois le mode de cuisson désiré choisi, une température pré-réglée apparaîtra sur le bouton de commande.
- 2 Sélectionnez une température pré-réglée en touchant à ENTER (entrée) sur le panneau de commande ou tournez le bouton de commande pour augmenter ou réduire la température. Chaque action termine la seconde étape du processus. Le voyant du four s'illumine et le préchauffage commence.



Panneau de commande et bouton de commande du four

LUMIÈRE DU FOUR

La lumière du four s'allume automatiquement lorsque la porte est ouverte et s'éteint lorsqu'elle est fermée. Pour allumer la lumière lorsque la porte est fermée, touchez à OVEN LIGHT sur le panneau de commande.

PRÉCHAUFFAGE

Durant le préchauffage, le four se chauffe aussi rapidement et uniformément que possible et il n'est pas à son meilleur pour la cuisson. Le préchauffage doit être utilisé pour tous les modes de cuisson, sauf grillage et grillage par convection. Durant le préchauffage, les températures inférieures à 150 °F (65 °C) apparaissent comme « Lo ». Une fois le préchauffage terminé, une sonnerie retentit indiquant que le four a atteint la température choisie et le voyant du four n'est plus illuminé. Pour modifier la température lorsque le préchauffage est terminé, tournez le bouton jusqu'à la température désirée.

AVANT L'UTILISATION

Pour s'assurer que toute l'huile résiduelle du processus de fabrication ait été éliminée, chaque four doit subir la procédure suivante.

- 1 Nettoyez le four à fond avec de l'eau chaude et un détergent doux. Rincez et séchez avec un chiffon doux.
- 2 Mettez la ventilation en marche. Il est normal de voir de la fumée et de sentir une odeur.
- 3 Tournez le cadran sélecteur à **ROAST** (rôtissage) et régler la température à 550 °F (290 °C) pendant une heure.
- 4 Tournez le cadran jusqu'à OFF (arrêt) et laissez le four se refroidir en gardant la porte fermée.

Fonctionnement du four

CLOCK (HORLOGE)

L'horloge est visible sur le panneau de commande durant tous les modes de cuisson, sauf lorsque la minuterie est utilisée. Il est très important que l'horloge soit réglée à la bonne heure si la fonction durée de cuisson ou cuisson minutée est utilisée. L'horloge doit être réinitialisée après une panne de courant.

Réglage de l'horloge :

- 1 Touchez à CLOCK (horloge) sur le panneau de commande.
- 2 Utilisez les flèches vers le haut et le bas pour régler l'heure du jour. L'heure passera de « am » à « pm » après 12:00.
- 3 Touchez à CLOCK (horloge). Une sonnerie retentit indiquant que l'heure a été réglée.
- 4 Pour passer à l'horloge de 24 heures, appuyez et tenez la touche CLOCK (horloge) pendant cinq secondes. Touchez à CLOCK (horloge), puis à ENTER (entrée).

ALIMENTATION DE SECOURS DE L'HORLOGE

La cuisinière est expédiée en mode d'alimentation de secours qui désactive l'horloge dans un délai d'environ 10 minutes après la fin du fonctionnement du ventilateur de refroidissement ou d'inactivité du four. L'horloge s'illumine lorsque les touches des commandes sont enfoncées ou lorsque le four est utilisé.

Activer/désactiver l'alimentation de secours :

- 1 Touchez et tenez la touche CLOCK (horloge) sur le panneau de contrôle pendant cinq secondes.
- 2 Touchez à STOP TIME (heure d'arrêt) pour basculer entre la marche et l'arrêt, puis touchez à ENTER (entrée).

TIMER (MINUTERIE)

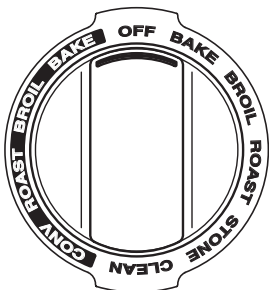
La minuterie peut être réglée pour une période maximale de 9 heures et 59 minutes. Une fois la durée réglée, le décompte s'illumine sur l'écran du panneau de commande. La dernière minute s'affiche en secondes. La minuterie est indépendante du four. Le réglage de la minuterie n'affecte pas la durée de cuisson ou l'heure d'arrêt. Pour des renseignements au sujet des fonctions de programmation automatique, reportez-vous à la page 14.

Réglage de la minuterie :

- 1 Touchez à TIMER (minuterie) sur le panneau de commande.
- 2 Utilisez les flèches vers le haut et le bas pour régler la durée en heures et minutes.
- 3 Touchez à TIMER (minuterie) pour commencer. Une sonnerie retentit indiquant que la minuterie a été réglée. Le four retentira et l'heure clignotera lorsque la cuisson sera terminée. La minuterie continuera de retentir jusqu'à ce que CLEAR (annuler) soit enfoncé sur le panneau de commande.

Modes de cuisson

MODE	CADRAN	PRÉ-RÉGLAGE	ÉTENDUE	SONDE	UTILISATIONS
Convection	CONV	325 °F (165 °C)	170 – 550 °F (75 – 290 °C)	•	Il est possible de cuire sur plusieurs grilles avec brunissage uniforme dans ce mode grâce au mouvement uniforme de l'air.
Cuisson par convection	BAKE	375 °F (190 °C)	170 – 550 °F (75 – 290 °C)	•	Idéal pour la cuisson des tartes.
Rôtissage par convection	ROAST	325 °F (165 °C)	170 – 550 °F (75 – 290 °C)	•	Idéal pour rôtir des coupes tendres de bœuf, d'agneau, de porc et de volaille.
Grillage par convection	BROIL	Br1 Br2 Br3	550°F (290°C) 450°F (230°C) 350°F (175°C)		Réduit les temps de grillage pour les tranches épaisses de viande, de poisson et de volaille. Utilisez la lèchefrite à deux pièces et grillez toujours en gardant la porte du four fermée.
Cuisson	BAKE	350 °F (175 °C)	170 – 550 °F (75 – 290 °C)	•	Idéal pour la cuisson sur une seule grille, surtout pour les aliments de boulangerie. À utiliser pour les recettes standards.
Rôtissage	ROAST	350 °F (175 °C)	170 – 550 °F (75 – 290 °C)	•	Convient pour le rôtissage de coupes moins tendres de viande, comme les rôtis de palette et la viande à ragoût, qui doivent être couvertes.
Grillage	BROIL	Br1 Br2 Br3	550°F (290°C) 450°F (230°C) 350°F (175°C)		Convient au grillage des morceaux de viande, de poisson et de volaille jusqu'à 1 po d'épaisseur. Utilisez la lèchefrite à deux pièces et grillez toujours en gardant la porte du four fermée.
Pierre de cuisson	STONE	400 °F (205 °C)	170 – 550 °F (75 – 290 °C)	•	Cuisson sur une pierre en céramique. Idéale pour les pizzas et le pain. L'accessoire à pierre de cuisson est requis. Fours de 30 et 36 po seulement.
Apprêt	PROOF	85 °F (30 °C)	85 – 110 °F (30 – 45 °C)	•	Idéal pour apprêter ou faire lever la pâte à pain. Four de 18 po seulement. Pour les fours de 30 et 36 po, reportez-vous à la page 13.
Déshydratation	CONV	135 °F (60°C)	110 – 160 °F (45 – 70 °C)		Sèche une variété de fruits, légumes et viandes. Des grilles accessoires sont requises. Reportez-vous à la page 13.
Autonettoyage	CLEAN				Le four se chauffe jusqu'à une température extrêmement élevée pour permettre de brûler les restes de nourriture. Reportez-vous à la page 15.



Cadran sélecteur
(fours de 30 po/36 po)



Cadran sélecteur
(four de 18 po)

Apprêt

Commandes de réglage pour les fours de 30 et 36 po :

- 1 Tournez le cadran sélecteur à BAKE (cuisson).
- 2 Tournez le bouton de commande du four vers la gauche jusqu'à ce que « PrF » soit affiché, puis relâchez-le.
- 3 La température du four est pré-réglée à 85 °F (30 °C). Touchez à ENTER (entrée) pour sélectionner une température pré-réglée ou tournez le bouton de commande pour modifier la température. L'affichage bascule entre la température réglée et « PrF ».

Déshydratation

Une trousse d'accessoire est requise. Les accessoires sont offerts par les dépositaires Wolf autorisés. Pour obtenir des renseignements sur le dépositaire local, visitez la section salle d'exposition de notre site Web, wolfappliance.com.

Réglage des commandes :

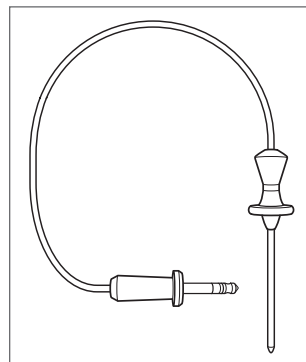
- 1 Placez la butée de porte fournie avec la trousse d'accessoires dans le verrou de la porte du four.
- 2 Tournez le cadran sélecteur à **CONV** (convection).
- 3 Tournez le bouton de commande du four vers la gauche jusqu'à ce que « dEH » soit affiché, puis relâchez-le.
- 4 La température du four est pré-réglée à 110 °F (45 °C). Touchez à ENTER (entrée) pour sélectionner une température pré-réglée ou tournez le bouton de commande pour modifier la température. L'affichage bascule entre la température réglée et « dEH ».

Sonde de température

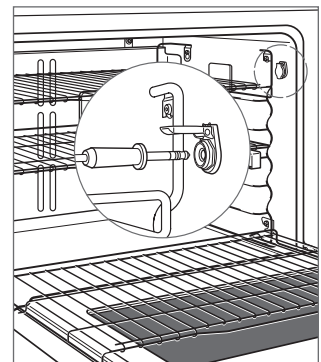
La sonde de température mesure la température interne des aliments pendant la cuisson. Elle peut être utilisée avec tous les modes de cuisson, sauf grillage et grillage par convection.

Réglage des commandes :

- 1 Tournez le cadran sélecteur au mode de cuisson désiré.
- 2 Touchez à ENTER (entrée) pour sélectionner une température pré-réglée ou tournez le bouton de commande pour modifier la température.
- 3 Insérez la sonde dans la zone la plus épaisse de l'aliment. Lorsque vous faites du pain, cuisez pendant environ 10 minutes avant d'insérer la sonde.
- 4 Lorsque le préchauffage est terminé, utilisez une poignée pour soulever le couvercle de la prise de sonde, puis insérez la sonde. Reportez-vous à l'illustration ci-dessous.
- 5 La température de la sonde est pré-réglée à 160 °F (70 °C). Touchez à ENTER (entrée) pour sélectionner une température pré-réglée ou tournez le bouton de commande pour modifier la température. L'affichage bascule entre la température réglée du four et la température réelle de la sonde. Pour basculer entre le réglage de la température réglée de la sonde et la température réelle de la sonde, appuyez sur PROBE (sonde). Les températures inférieures à 70 °F (20 °C) sont affichées comme « Lo ».
- 6 Une sonnerie retentit indiquant que la température interne a atteint le point de réglage de la sonde. Retirez, puis insérez la sonde à nouveau pour vérifier la température interne.



Sonde de température



Prise de la sonde

Programmation automatique

CUISSON MINUTÉE

La cuisson minutée éteint automatiquement le four à une heure précisée. Le four commencera à chauffer immédiatement et s'éteindra à l'heure désirée. L'horloge doit être réglée à la bonne heure pour que la fonction de cuisson minutée fonctionne correctement. Utilisez cette fonction avec tout mode de cuisson sauf grillage, grillage par convection et pierre de cuisson.

Réglage des commandes :

- 1 Tournez le cadran sélecteur au mode de cuisson désiré.
- 2 Touchez à ENTER (entrée) pour sélectionner une température pré-réglée ou tournez le bouton de commande pour modifier la température.
- 3 Touchez à COOK TIME (durée de cuisson). Utilisez les flèches pour choisir la durée de cuisson en heures et minutes.
- 4 Touchez à ENTER (entrée).

MISE EN MARCHÉ DIFFÉRÉE

La mise en marche différée met automatiquement le four en marche et l'éteint à des heures précisées. Le four demeurera en attente jusqu'à l'heure de mise en marche et s'éteindra à l'heure d'arrêt désirée. L'horloge doit être réglée à la bonne heure pour que la fonction de mise en marche différée fonctionne correctement. Utilisez cette fonction avec tout mode de cuisson sauf grillage, grillage par convection et pierre de cuisson.

Réglage des commandes :

- 1 Tournez le cadran sélecteur au mode de cuisson désiré.
- 2 Touchez à ENTER (entrée) pour sélectionner une température pré-réglée ou tournez le bouton de commande pour modifier la température. Si vous touchez à ENTER (entrée), le four commence à chauffer immédiatement, mais passe au mode d'attente dès que l'heure d'arrêt est réglée.
- 3 Touchez à COOK TIME (durée de cuisson). Utilisez les flèches pour choisir la durée de cuisson en heures et minutes.
- 4 Touchez à STOP TIME (heure d'arrêt). Utilisez les flèches pour sélectionner l'heure à laquelle le four doit s'arrêter.
- 5 Touchez à ENTER (entrée).

Autonettoyage

Durant le nettoyage automatique, le four est chauffé jusqu'à une température extrêmement élevée pour brûler les restes d'aliments. Retirez toutes les grilles et tous les guides de grille du four. Ils changeront de couleur s'ils sont laissés dans le four pendant l'autonettoyage. La porte du four se verrouillera et demeurera verrouillée jusqu'à ce que le l'autonettoyage soit terminé et la température du four se trouve en dessous de 300 °F (150 °C). Les durées d'autonettoyage comprennent une heure pour le refroidissement.

Réglage des commandes pour l'autonettoyage de quatre heures :

- 1 Tournez le cadran sélecteur à CLEAN (nettoyage).
- 2 Touchez à ENTER (entrée).

Réglage des commandes pour l'autonettoyage de trois heures :

- 1 Tournez le cadran sélecteur à CLEAN (nettoyage).
- 2 Touchez à STOP TIME (heure d'arrêt).
- 3 Touchez à la flèche vers le bas pour réduire l'heure d'arrêt d'une heure.
- 4 Touchez à ENTER (entrée) deux fois.

La porcelaine est fabriquée de produits naturels et, par conséquent, elle peut s'écailler et de petites ridules et fissures peuvent apparaître en raison de l'expansion et de la contraction qui se produisent lorsque la température du four varie (particulièrement lorsque la fonction auto-nettoyage est utilisée). Cela entraîne des imperfections cosmétiques, comme un aspect trouble, une apparence terne ou des égratignures. Les imperfections cosmétiques peuvent être plus visibles dans une cavité de four de couleur.

▲ MISE EN GARDE

Pendant l'autonettoyage, les surfaces extérieures peuvent devenir plus chaudes que d'habitude. Les enfants ne doivent pas s'approcher.

Shabbath

Cet appareil est certifié par Star-K pour répondre à des règlements religieux rigoureux relativement à des directives précises se trouvant sur www.star-k.org. Shabbath l'emporte sur la fonction d'arrêt automatique de 12 heures. La fonction Shabbath doit être réinitialisée après une panne de courant.

Réglage des commandes :

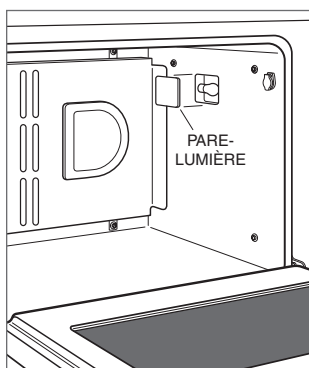
- 1 Allumez ou éteignez la lumière du four.
- 2 Tournez le cadran sélecteur à BAKE (cuisson) ou ROAST (rôtissage) et sélectionnez la température désirée.
- 3 Touchez et tenez la touche ENTER (entrée) pendant cinq secondes. « SAB » apparaîtra et clignotera sur le bouton de commande du four indiquant que le mode Shabbath a été initié.
- 4 Pour modifier la température du four en mode Shabbath, tournez le bouton de commande. Chaque tour augmentera ou diminuera la température de 10° (F ou C). L'affichage et la sonnerie sont désactivés, mais la température sera modifiée au hasard lorsqu'une nouvelle température est choisie. Le four demeure en marche jusqu'à ce que le cadran soit tourné à OFF (arrêt).

Lampe du four

⚠ AVERTISSEMENT

Assurez-vous que le courant soit coupé au niveau du coffret électrique avant de remplacer l'ampoule.

Laissez le four se refroidir complètement, puis retirez les grilles et les guides de grille. Pour retirer le pare-lumière, dégagez doucement le rebord inférieur avec un tournevis plat. Retirez l'ampoule existante et remplacez-la par une ampoule halogène de 40 watts. Reportez-vous à l'illustration ci-dessous.



Remplacement de l'ampoule

Brûleurs de surface

Pour allumer un brûleur, enfoncez et tournez le bouton de commande correspondant dans le sens antihoraire jusqu'à la position HI (élevé). L'allumeur commencera à cliquer jusqu'à ce que le brûleur s'allume. Une fois allumé, continuez à tourner le bouton dans le sens antihoraire jusqu'au réglage désiré.

Pour sélectionner un réglage SIMMER (mijoter), tournez le bouton de commande jusqu'au réglage le plus bas. Poussez et continuez à tourner dans le sens antihoraire. La flamme passera au second niveau sur le capuchon du brûleur. Continuez à tourner le bouton jusqu'au réglage de mijotage désiré.

Durant une panne d'électricité, les brûleurs peuvent être allumés manuellement. Tournez le bouton jusqu'à HI (élevé) en utilisant un allumoir à usages multiples.

⚠ MISE EN GARDE

Ne laissez jamais des chaudrons à un réglage élevé sans surveillance. Faites attention lorsque vous cuisez des aliments dans du gras ou de la graisse; ils peuvent devenir assez chauds pour s'enflammer.

Grilloir type charbon de bois infrarouge

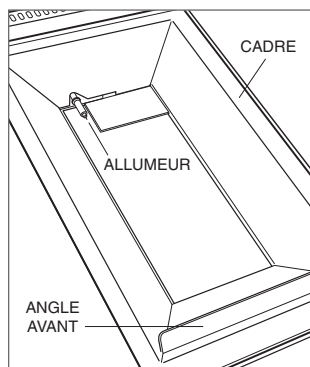
Le grilloir type charbon de bois possède un brûleur infrarouge qui transfère de la chaleur intense aux aliments, pour saisir l'extérieur et sceller les jus. Cuisez les aliments directement sur la grille du grilloir type charbon de bois, n'utilisez pas de chaudrons. La surface de 7 po (178) à l'arrière du grilloir type charbon de bois sont plus frais que le reste de la surface. Cette zone peut être utilisée pour garder les aliments jusqu'à ce qu'ils soient prêts à servir.

Assemblage du grilloir type charbon de bois :

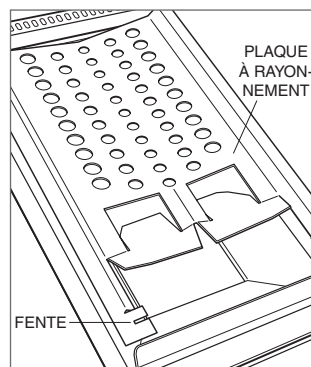
- 1 Pour assembler, placez le cadre du grilloir type charbon de bois sur la cuisinière. Reportez-vous à l'illustration ci-dessous.
- 2 Alignez les fentes sur la plaque à rayonnement avec l'angle avant du cadre. Reportez-vous à l'illustration ci-dessous. Les fentes doivent se glisser sur l'angle avant et s'appuyer à plat sur le cadre du grilloir type charbon de bois.
- 3 Installez la grille du grilloir type charbon de bois.

▲ MISE EN GARDE

Faites attention lorsque vous assemblez le grilloir type charbon de bois pour éviter tout contact avec l'allumeur.



Cadre du grilloir type charbon de bois



Plaque à rayonnement du grilloir type charbon de bois

FONCTIONNEMENT DU GRILLOIR TYPE CHARBON DE BOIS

Le couvercle en acier inoxydable doit être enlevé avant l'utilisation.

- 1 Mettez la ventilation en marche.
- 2 Poussez et tournez le bouton de commande dans le sens antihoraire jusqu'à HI (élevé). L'allumeur commencera à cliquer jusqu'à ce que le brûleur s'allume.
- 3 Laissez préchauffer pendant 10 minutes.

ENTRETIEN DU GRILLOIR TYPE CHARBON DE BOIS

- Une fois la cuisson terminée, laissez le grilloir type charbon de bois en marche pendant 10 minutes. La chaleur élevée aidera à brûler l'excédent de particules alimentaires.
- Lorsqu'il est refroidi, retirez la grille et mettez-la dans l'évier. Couvrez de linges à vaisselle et versez de l'eau chaude dessus pour aider à dissoudre les résidus. Nettoyez avec du savon et un tampon à récurer. Rincez et séchez.
- Pour nettoyer le cadre, retirez-le et placez-le dans l'évier. Trempez-le dans de l'eau chaude et un détergent doux. Lavez à fond et frottez avec un tampon à récurer.

Plaque à frire infrarouge

La plaque à frire est contrôlée thermostatiquement de manière à garder une température constante. Pour empêcher les aliments de coller, il est nécessaire « d'assaisonner » la plaque à frire avant de l'utiliser.

Assaisonner la plaque à frire :

- 1 Mettez la ventilation en marche.
- 2 La plaque à frire possède un revêtement protecteur qui doit être enlevé avant l'utilisation. Utilisez de l'eau chaude et un détergent doux pour l'enlever. Rincez et séchez.
- 3 Poussez et tournez le bouton de commande dans le sens antihoraire jusqu'à 350 °F (175 °C) et chauffez pendant 30 minutes. Après la période de 30 minutes, mettez à OFF (arrêt) et laissez refroidir.
- 4 Tandis que la surface est un peu chaude, versez une petite quantité d'huile d'arachide ou végétale sur une serviette en papier et étalez uniformément.
- 5 Poussez et tournez le bouton de commande à 350 °F (175 °C). Chauffez jusqu'à ce que la plaque à frire commence à produire de la fumée, puis éteignez-la (OFF) et laissez refroidir. Une fois refroidie, essuyez l'excédent d'huile.

FONCTIONNEMENT DE LA PLAQUE À FRIRE

Le couvercle en acier inoxydable doit être enlevé avant l'utilisation.

- 1 Mettez la ventilation en marche.
- 2 Poussez et tournez le bouton de commande dans le sens antihoraire jusqu'à la température désirée. L'allumeur commencera à cliquer jusqu'à ce que le brûleur s'allume. La plaque à frire double possède des commandes séparées pour chaque côté.
- 3 Le voyant au-dessus du bouton s'illumine jusqu'à ce que la plaque à frire atteigne la température choisie. Le voyant s'allumera et s'éteindra si de la chaleur supplémentaire est requise pour maintenir la température choisie.

ENTRETIEN DE LA PLAQUE À FRIRE

- Grattez et poussez la graisse dans le collecteur de graisse après chaque utilisation. Une fois la surface refroidie, essuyez-la avec un essuie-tout pour éliminer l'excédant de graisse ou d'huile.
- Après chaque utilisation, réappliquez une petite quantité d'huile d'arachide ou végétale sur une serviette en papier et étalez uniformément.
- Éliminez l'assaisonnement de temps à autre. Versez 1/2 tasse (120 ml) d'eau tiède et 1 cuiller à thé (5 ml) de nettoyant à plaque à frire sur la plaque à frire et grattez le résidu dans le collecteur de graisse, puis videz-le. Lorsque la plaque est sèche, versez à nouveau une petite quantité d'huile pour l'assaisonner.

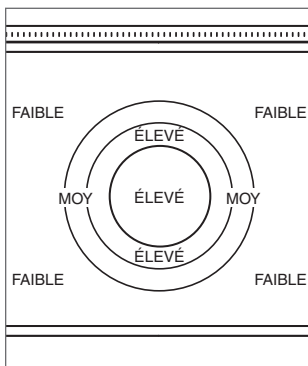
Table de cuisson française

La table de cuisson française est une surface de cuisson graduée avec la température la plus élevée sous la plaque centrale. Utilisez toujours des chaudrons, ne cuisez pas les aliments directement sur la surface. Pour obtenir une chaleur de cuisson supérieure, placez le chaudron près du centre et pour une chaleur inférieure, plus près des rebords. Reportez-vous à l'illustration ci-dessous.

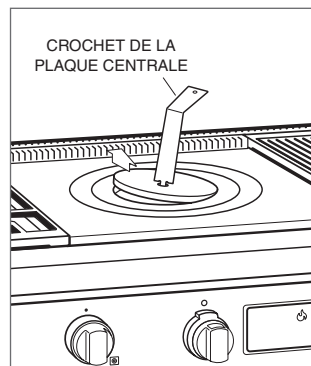
Pour protéger la surface des éclaboussements de nourriture et de l'humidité, il est nécessaire « d'assaisonner » la table de cuisson française avant de l'utiliser.

Assaisonner la table de cuisson française :

- 1 La table de cuisson française possède un revêtement protecteur qui doit être enlevé avant l'utilisation. Utilisez de l'eau chaude et un détergent doux pour l'enlever. Rincez et séchez.
- 2 Poussez et tournez le bouton de commande dans le sens antihoraire jusqu'à HI (élevé) et chauffez pendant 30 minutes. Après la période de 30 minutes, mettez à OFF (arrêt) et laissez refroidir.
- 3 Tandis que la surface est un peu chaude, versez une petite quantité d'huile d'arachide ou végétale sur une serviette en papier et étalez uniformément.



Zones thermiques de la table de cuisson française



Retrait de la plaque centrale

FONCTIONNEMENT DE LA TABLE DE CUISSON FRANÇAISE

Le couvercle en acier inoxydable doit être enlevé avant l'utilisation.

- 1 Mettez la ventilation en marche.
- 2 Poussez et tournez le bouton de commande dans le sens antihoraire jusqu'à HI (élevé). L'allumeur commencera à cliquer jusqu'à ce que le brûleur s'allume.
- 3 Laissez préchauffer pendant 30 minutes.

⚠ MISE EN GARDE

Ne laissez jamais des chaudrons sur la zone de chaleur élevée sans surveillance. Faites attention lorsque vous cuisez des aliments dans du gras ou de la graisse; ils peuvent devenir assez chauds pour s'enflammer.

ENTRETIEN DE LA TABLE DE CUISSON FRANÇAISE

- Nettoyez la surface au complet après chaque utilisation pendant qu'elle est encore tiède. Essuyez avec un détergent doux et de l'eau. Rincez et séchez.
- Après chaque utilisation, réappliquez une petite quantité d'huile d'arachide ou végétale sur une serviette en papier et étalez uniformément.
- Éliminez l'assaisonnement de temps à autre. Appliquez une petite quantité de vinaigre blanc et d'eau sur la surface pendant qu'elle est encore légèrement chaude. Frottez et répétez jusqu'à ce que l'excédent d'huile ait été éliminé. Versez une petite quantité d'huile à nouveau pour l'assaisonner.
- Le brûleur de la table de cuisson française se trouve sous la plaque centrale. Pour le retirer, utilisez le crochet de la plaque centrale fourni avec la cuisinière, comme il est montré dans l'illustration. Ne retirez jamais la plaque centrale pendant la cuisson.

Conseils d'entretien

NETTOYAGE

Acier inoxydable	Utilisez un nettoyant non abrasif pour l'acier inoxydable et appliquez-le avec un chiffon doux non pelucheux. Pour faire ressortir le lustre naturel, essuyez légèrement la surface avec un chiffon en microfibres humecté d'eau suivi d'un chamois à polir sec. Suivez toujours le grain de l'acier inoxydable.
Grilles du brûleur Guides de grille du four	Enlevez-les et déposez-les sur une surface plate près de l'évier. Nettoyez avec de l'eau chaude et un détergent doux ou une pâte de bicarbonate de soude et d'eau. N'immergez pas dans l'eau. Séchez avec une serviette.
Cuvette du brûleur	Retirez les débris en surface avant de nettoyer pour aider à accélérer le processus de nettoyage et réduire le risque d'égratignures à la surface pendant le nettoyage. Au moyen de nettoyants légèrement abrasifs ou de dégraissants en aérosol, nettoyez et rincez la surface et séchez immédiatement pour éviter les stries. Pour nettoyer les taches d'eau dure, utilisez du vinaigre blanc et de l'eau. Rincez et séchez immédiatement.
Brûleurs de surface	Laissez refroidir. Utilisez un détergent doux ou un dégraissant en aérosol pour nettoyer. Rincez avec de l'eau et séchez avec une serviette.
Grilloir type charbon de bois Plaque à frire Table de cuisson française	Reportez-vous aux pages 17 à 19 pour voir les recommandations d'entretien.
Boutons de commande Cadrans	Avec un chiffon humide, essuyez avec un détergent doux ou un dégraissant en aérosol; rincez et séchez. Ne les mettez pas dans le lave-vaisselle.
Panneau de commande	Utilisez un dégraissant pulvérisé pour éliminer les empreintes de doigts et les taches de nourriture. Pulvériser sur un chiffon avant d'essuyer le panneau. REMARQUE IMPORTANTE : Ne pulvériser pas les produits à nettoyer directement sur le panneau de commande.
Intérieur du four	REMARQUE IMPORTANTE : Retirez tous les aliments renversés (en particulier les sauces sucrées, acides et à base de tomates) lorsque l'intérieur du four est sûr de toucher. Certaines imperfections sont permanentes, mais n'affectent pas le fonctionnement de la porcelaine. Avant d'utiliser la fonction autonettoyage, utilisez une lame de rasoir pour soulever doucement les aliments cuits sur la cavité et la fenêtre du four. Pour les taches rebelles, pulvériser un nettoyant abrasif doux ou un dégraissant en aérosol et frottez avec un tampon Scotch-Brite™ sans égratignure (rose ou bleu). Lavez la cavité du four au complet avec du savon et de l'eau pour éliminer tout produit chimique de nettoyage avant d'utiliser le mode autonettoyage. Si le résidu n'est pas nettoyé de la cavité, la porcelaine risque d'être gravée. Une fois le cycle autonettoyage terminé, laissez le four se refroidir complètement et essuyez les cendres avec un chiffon humide.
Lèchefrite	Pour nettoyer la grille supérieure, utilisez un détergent doux et un tampon à récurer. Rincez et séchez. Pour nettoyer la partie inférieure, jetez la graisse et lavez dans de l'eau chaude avec un détergent doux. Rincez et séchez. La grille supérieure en acier inoxydable peut aller dans le lave-vaisselle, mais ne placez pas la grille ou le plateau enduits de porcelaine dans un lave-vaisselle.

Dépannage

FONCTIONNEMENT

La cuisinière ne fonctionne pas.

- Assurez-vous que l'unité est sous tension.
- Vérifiez l'alimentation électrique vers l'unité et que le disjoncteur de la résidence est en marche.
- Le four s'éteindra automatiquement après 12 heures d'utilisation continue, sauf en mode déshydratation ou Shabbath.

FOUR

Problème de température du four.

- Communiquez avec le service à la clientèle de Wolf au 800-222-7820 pour obtenir des recommandations.

Pas d'affichage du bouton de commande.

- Tirez le bouton de commande du four vers l'extérieur et repoussez-le complètement. Mettez le disjoncteur hors tension pendant cinq secondes, puis remettez-le en marche.

Aucune réaction de la part des touches du panneau de commande.

- Tournez le cadran jusqu'à OFF (arrêt) pour quitter le mode Shabbath.
- Mettez le disjoncteur hors tension pendant cinq secondes, puis remettez-le en marche.

« SAb » est affiché sur le bouton de commande du four.

- Tournez le cadran jusqu'à OFF (arrêt) pour quitter le mode Shabbath.

« PF » est affiché sur le bouton de commande du four.

- L'unité a subi une panne de courant. Tournez le cadran sélecteur jusqu'à un mode de cuisson, puis revenez à OFF (arrêt) pour le réinitialiser.
- Mettez le disjoncteur hors tension pendant cinq secondes, puis remettez-le en marche.

« OPP » est affiché sur le bouton de commande du four.

- Un des fours peut être en mode autonettoyage. Si un des fours est en mode autonettoyage, l'autre ne peut pas être utilisé.

« OE », « OC » ou une autre erreur sont affichés.

- Communiquez avec le centre de service Wolf certifié par l'usine.

Le four émet des bruits pendant le préchauffage ou le refroidissement.

- Ceci est normal avec l'expansion et la contraction de toute nouvelle cavité.
- Lancez le cycle d'autonettoyage. Si le problème persiste, communiquez avec le service à la clientèle de Wolf au 800-222-7820.

SURFACE DE LA CUISINIÈRE

Flamme erratique, mauvais allumage ou pas d'allumage.

- Vérifiez que les capuchons de brûleur sont correctement placés.
- Nettoyez le brûleur et l'allumeur adéquatement.
- Si de l'eau a été renversée récemment, laissez la zone sécher complètement. Utilisez un sèche-cheveux, au besoin.
- Si le capuchon du brûleur se fixe sur la tête du brûleur, assurez-vous qu'il est bien fixé.
- Enfoncez le bouton, puis relâchez-le. Assurez-vous qu'il se remette en place.

Le grilloir type charbon de bois clique continuellement.

- Vérifiez que le bouton est bien réglé à HI (élevé).

Le voyant de la plaque à frire clignote.

- Mettez le bouton à OFF (arrêt), puis remettez-le en marche. La flamme a disparu et l'unité est passée au mode de verrouillage de sécurité.

Dépannage

SERVICE

- Préservez la qualité intégrée dans votre produit en communiquant avec un service Wolf certifié par l'usine. Pour obtenir le nom du centre de service Wolf certifié par l'usine le plus près de chez vous, consultez la section Support et service de notre site Web, wolfappliance.com ou appelez le service à la clientèle de Wolf à 800-222-7820.
- Avant d'appeler pour obtenir du service, ayez en main les numéros de modèle et de série de votre produit. Les deux numéros sont indiqués sur la plaque signalétique du produit. Reportez-vous à la page 8 pour connaître l'emplacement de la plaque signalétique.
- Pour les besoins de la garantie, vous devrez aussi avoir la date d'installation et le nom de votre dépositaire Wolf autorisé. Ces renseignements doivent être notés à la page 3 de ce guide.

Garantie limitée résidentielle Wolf Appliance

POUR UTILISATION RÉSIDENIELLE

GARANTIE COMPLÈTE DE DEUX ANS*

Pendant deux ans à compter de la date d'installation originale, cette garantie de produit Wolf Appliance couvre toutes les pièces et la main d'œuvre pour réparer ou remplacer, selon un usage résidentiel normal, toute partie du produit qui s'avérerait défectueuse en vertu des matériaux ou de la fabrication. Tout service fourni par Wolf Appliance en vertu de la garantie ci-dessus doit être effectué par un centre de service Wolf certifié par l'usine, à moins d'indication contraire de la part de Wolf Appliance, Inc. Le service sera fourni pendant les heures normales d'affaires.

GARANTIE LIMITÉE DE CINQ ANS

Pendant cinq ans à compter de la date originale d'installation, Wolf Appliance réparera ou remplacera les pièces suivantes qui s'avèreront défectueuses en vertu des matériaux ou de la fabrication : les brûleurs au gaz (sauf l'apparence), les éléments de chauffage électrique, les moteurs de soufflerie (hottes de ventilation), les circuits de contrôle électronique, les tubes magnétrons et les génératrices à induction. Si le propriétaire utilise le service Wolf certifié en usine, le fournisseur de service réparera ou remplacera ces pièces et le propriétaire paiera pour tous les autres frais, y compris la main d'œuvre. Si le propriétaire utilise un service non certifié, il doit communiquer avec Wolf Appliance, Inc. (avec les renseignements ci-dessous) pour obtenir des pièces réparées ou de rechange. Wolf Appliance ne remboursera pas le propriétaire pour les pièces achetées d'un service non certifié ou d'autres sources.

CONDITIONS S'APPLIQUANT À CHAQUE GARANTIE

La garantie s'applique uniquement aux produits installés pour un usage résidentiel normal. La garantie s'applique seulement aux produits installés dans l'un des cinquante états des États-Unis, dans le District of Columbia ou les dix provinces du Canada. Cette garantie ne couvre pas les pièces ou la main d'œuvre pour corriger tout défaut causé par de la négligence, un accident ou une utilisation, un entretien, une installation, un service ou une réparation inappropriés.

LES REMÈDES DÉCRITS CI-DESSUS POUR CHAQUE GARANTIE SONT LES SEULS QUI SONT OFFERTS PAR WOLF APPLIANCE, INC. EN VERTU DE CETTE GARANTIE OU EN VERTU DE TOUTE GARANTIE DÉCOULANT DE L'OPÉRATION DE LA LOI. WOLF APPLIANCE, INC. NE SERA PAS RESPONSABLE DES DOMMAGES INDIRECTS OU CONSÉCUTIFS DÉCOULANT DE LA VIOLATION DE CETTE GARANTIE OU DE TOUTE GARANTIE, EXPRESSE, IMPLICITE OU LÉGALE.

Certaines provinces ne permettent pas l'exclusion ou la restriction des dommages indirects ou consécutifs, par conséquent, la limite ou l'exclusion ci-dessus peut ne pas s'appliquer à votre cas. Cette garantie vous confère des droits légaux précis et vous pouvez aussi avoir d'autres droits légaux qui peuvent varier d'une province à l'autre.

Pour obtenir des pièces et/ou du service et le nom du centre de service Wolf certifié par l'usine le plus près de chez vous, communiquez avec Wolf Appliance, Inc., P.O. Box 44848, Madison, WI 53744 É.-U.; Consultez la section Support et service de notre site Web, wolfappliance.com, envoyez-nous un courriel à customerservice@subzero.com ou composez le 800-222-7820.

*L'acier inoxydable (les portes, les panneaux, les poignées, les cadres et les surfaces intérieures) est couvert par une garantie limitée de 60 jours sur les pièces et la main d'œuvre pour toute défectuosité cosmétique.

*Les filtres de rechange pour les trousse de recirculation de hotte ne sont pas couverts par la garantie du produit.





WOLF APPLIANCE, INC. P.O. BOX 44848 MADISON, WI 53744 WOLFAPPLIANCE.COM 800.222.7820

6/2021

