

PRODUCT RATING GUIDE

MODEL / SERIAL NUMBER AND PRODUCT RATING



Product Information

Important information for each Sub-Zero product is listed on the product rating plate. Refer to the illustration for each Sub-Zero product on the following pages for exact location.

Information included on the product rating plate:

- Model and serial numbers. These numbers are required to register your product for warranty service.
- Electrical specifications including ratings.
- Refrigerant specifications including capacity.
- Interior storage capacity.

Activate your warranty today for a rewarding ownership experience. Register in one of three easy ways:

- 1 Online at subzero-wolf.com/register.
- 2 Call 800-222-7820 (have your serial number ready).
- 3 Complete and mail the postage-paid reply card.

Product Rating Plate Location

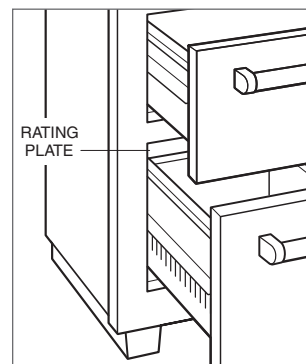
CLASSIC REFRIGERATION

The product rating information is located at the top frame of the unit, inside the door.

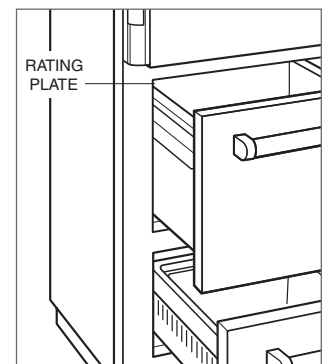


PRO REFRIGERATION

The rating plate is located inside the cabinet, attached to the left interior wall of the bottom drawer for 36" (914) models and the top drawer for 48" (1219) models.



36" models



48" models

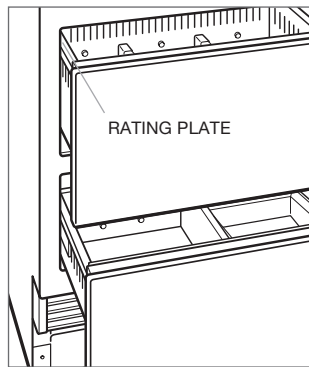
Product Rating Plate Location

DESIGNER REFRIGERATION

For column models, the product rating information is located inside the middle drawer, near the drawer guide opposite the hinge. For tall and drawer models, it is located inside the cabinet, to the left of the upper drawer.



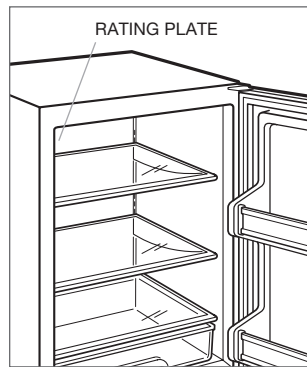
Column models



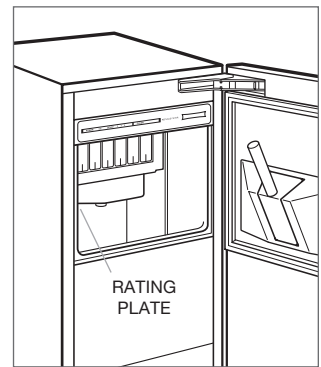
Tall and drawer models

UNDERCOUNTER REFRIGERATION

The product rating information is located inside the cabinet, in the upper left area of the unit. For the ice maker, it is located in the upper left corner of the ice storage bin, on the back of the unit.



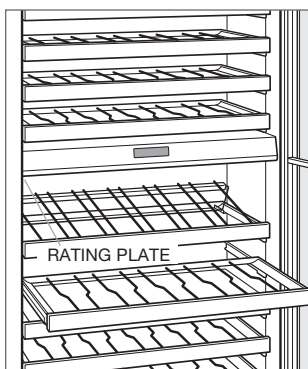
Undercounter models



Ice maker

WINE STORAGE

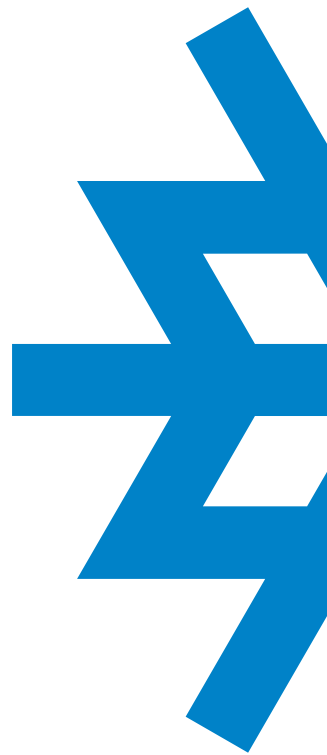
For designer (IW) models, the product rating information is located on the handle side wall, directly below the control panel. For all other models, it is located on the underside of the control panel, on the left.



Designer (IW) models



All other models



SUB-ZERO, INC. P.O. BOX 44848 MADISON, WI 53744 SUBZERO.COM 800.222.7820

9/2019

PRODUCT RATING GUIDE

MODEL / SERIAL NUMBER AND PRODUCT RATING



Product Information

Important information for each Wolf product is listed on the product rating plate. Refer to the illustration for each Wolf product on the following pages for exact location.

Information included on the product rating plate:

- Model and serial numbers. These numbers are required to register your product for warranty service.
- Electrical specifications including ratings.
- Gas specifications including ratings.
- Type of gas, for products manufactured for use with natural gas or LP gas.

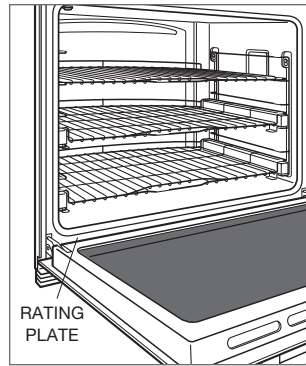
Activate your warranty today for a rewarding ownership experience. Register in one of three easy ways:

- 1 Online at subzero-wolf.com/register.
- 2 Call 800-222-7820 (have your serial number ready).
- 3 Complete and mail the postage-paid reply card.

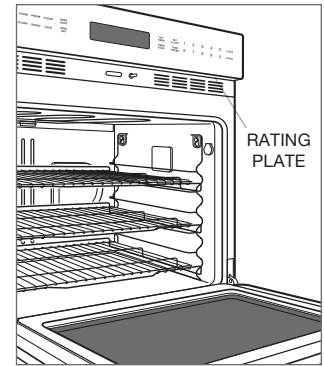
Product Rating Plate Location

BUILT-IN OVENS

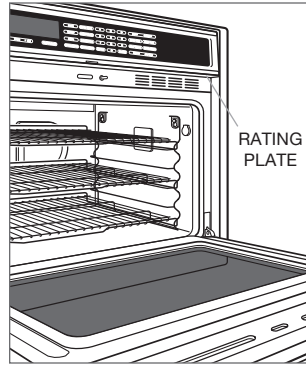
The product rating information is located near the bottom trim on the left for M series ovens and below the control panel on the right for E and L series ovens (door must be open). For the 24" E series oven, it is located on the left side of the front face frame.



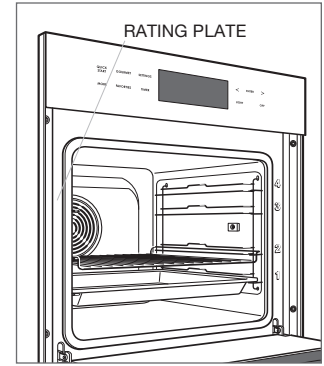
M series oven



E series oven



L series oven

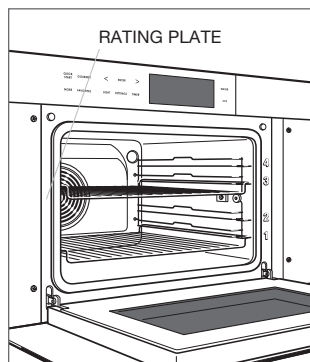


24" E series oven

Product Rating Plate Location

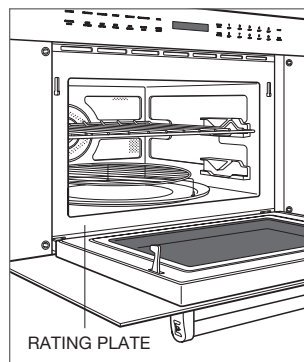
CONVECTION STEAM OVEN

The product rating information is located on the left side of the front face frame (door must be open).



SPEED OVEN

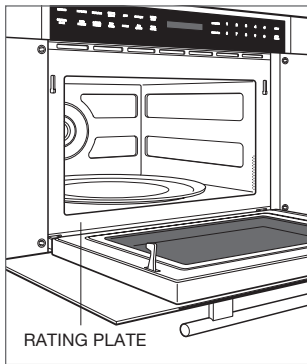
The product rating information is located on the lower left side of the front face frame (door must be open).



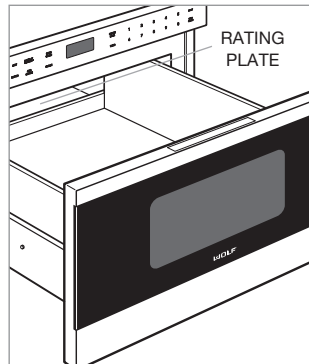
Product Rating Plate Location

MICROWAVE OVENS

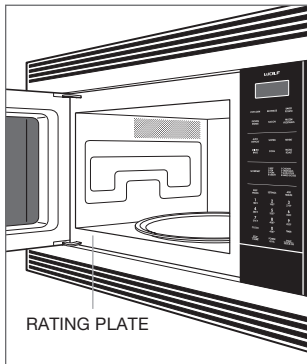
For drop down door microwaves, the product rating information is located on the lower left side of the front face frame (door must be open). For drawer microwaves, it is located on the bottom of the oven cavity (drawer must be open). For the convection microwave, it is located in the lower left area of the front face frame and on the upper left side wall for the standard microwave (door must be open).



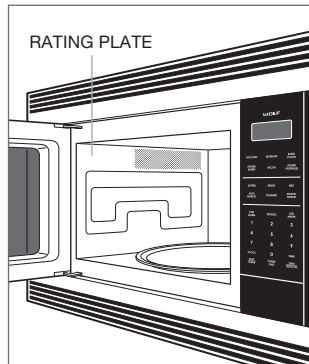
Drop down door microwave



Drawer microwave



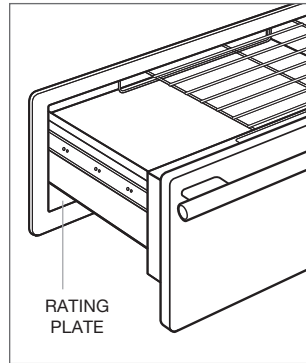
Convection microwave



Standard microwave

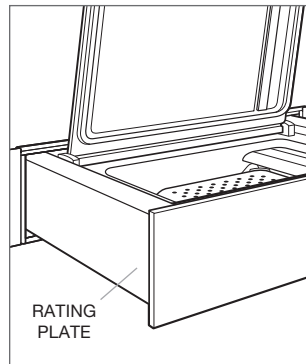
WARMING DRAWER

The product rating information is located on the left front floor area of the inner cabinet (drawer must be open).



VACUUM SEAL DRAWER

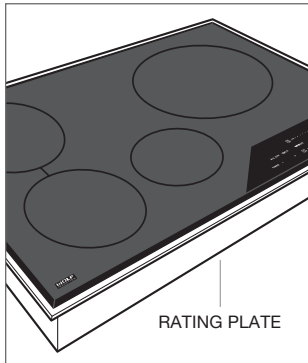
The product rating information is located on the left side of the drawer (drawer must be open and lid lifted).



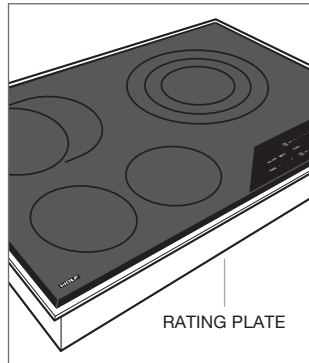
Product Rating Plate Location

COOKTOPS

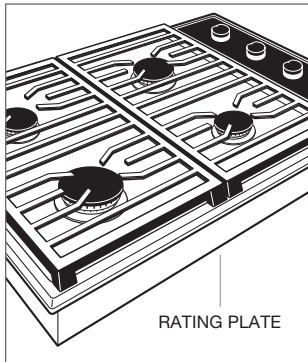
The product rating information is located on the bottom of the cooktop.



Induction cooktop



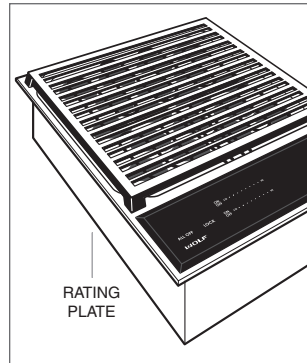
Electric cooktop



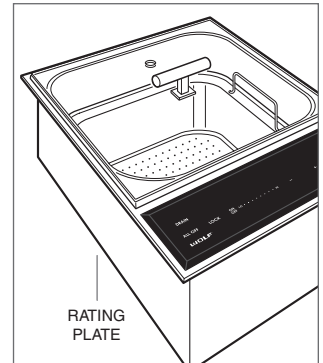
Gas cooktop

MODULE COOKTOPS

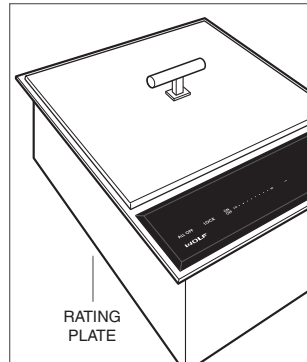
The product rating information is located on the bottom of the module.



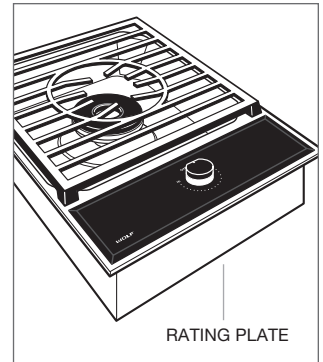
Grill module



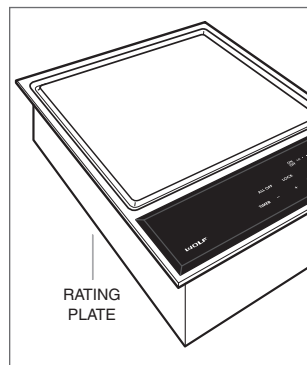
Steamer module



Fryer module



Multifunction module

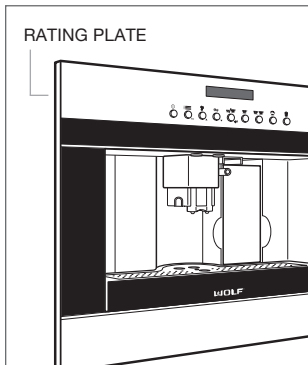


Teppanyaki module

Product Rating Plate Location

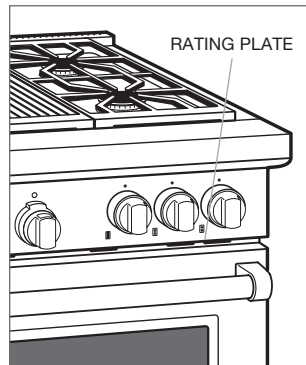
COFFEE SYSTEM

The product rating information is located above the coffee compartment (unit must be slid forward).

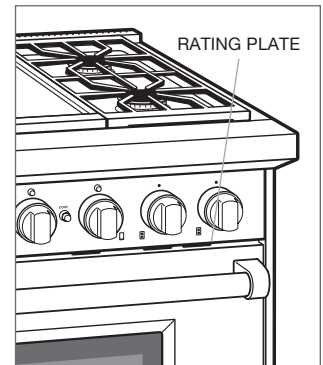


RANGES

The product rating information is located on the bottom of the control panel, at the far right, just above the oven door.



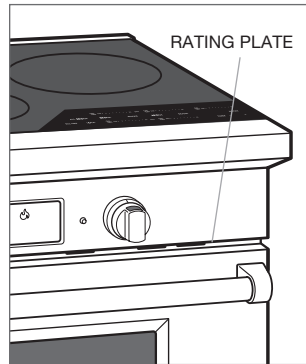
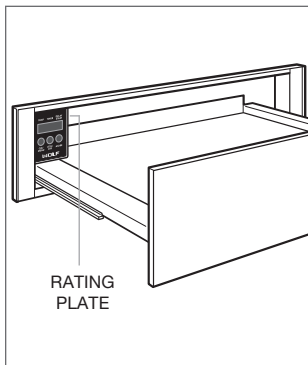
Dual fuel range



Gas range

CUP WARMING DRAWER

The product rating information is located on the right side of the control panel (drawer must be open).

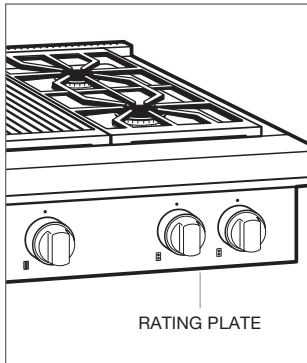


Induction range

Product Rating Plate Location

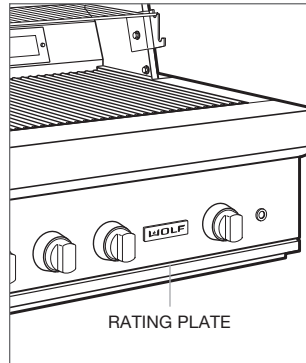
SEALED BURNER RANGETOP

The product rating information is located on the bottom of the control panel, at the far right.



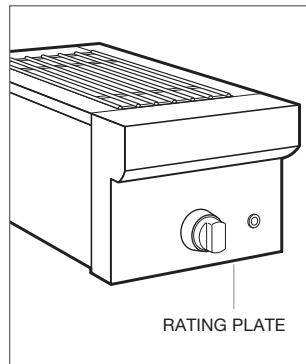
OUTDOOR GAS GRILL

The product rating information is located above the drip tray, behind the logo (drip tray must be removed).



OUTDOOR MODULE

The product rating information is located on the bottom of the control panel, on the right side.

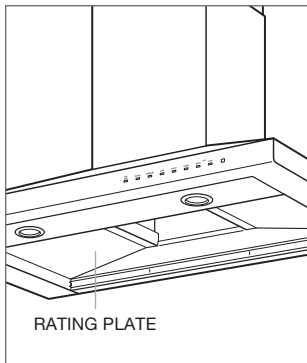


PRODUCT RATING GUIDE

Product Rating Plate Location

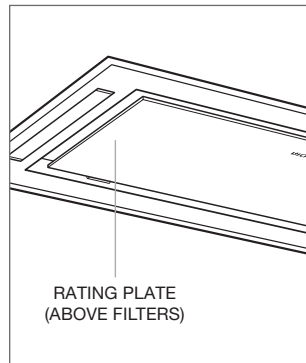
COOKTOP VENTILATION HOODS

The product rating information is located under the left side of the hood, above the filters (filters must be removed).



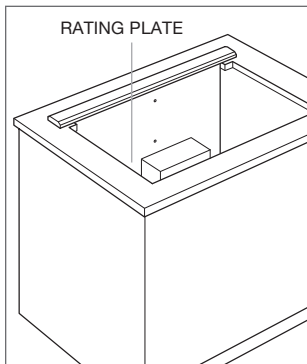
CEILING-MOUNTED HOOD

The product rating information is located under the left side of the hood, above the filters (filters must be removed).



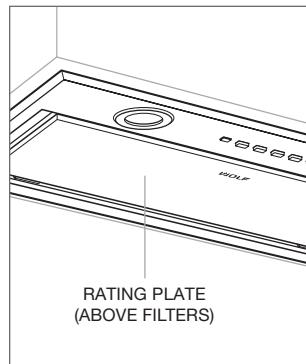
DOWNDRAFT VENTILATION

The product rating information is located next to the blower housing on the front side of the downdraft, below the countertop.



UNDER-CABINET HOOD INSERT

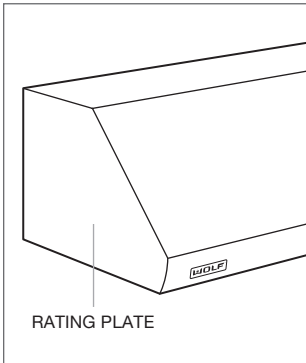
The product rating information is located under the left side of the hood above the filters (filters must be removed).



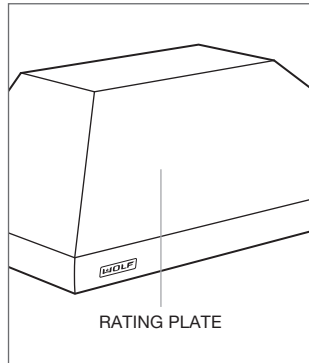
Product Rating Plate Location

PRO VENTILATION

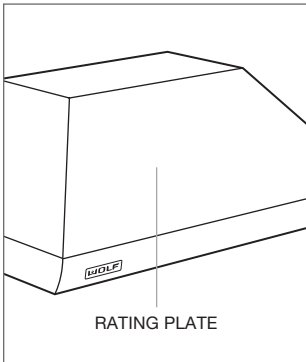
The product rating information is located on an inside wall of the hood shell (filters may need to be removed).



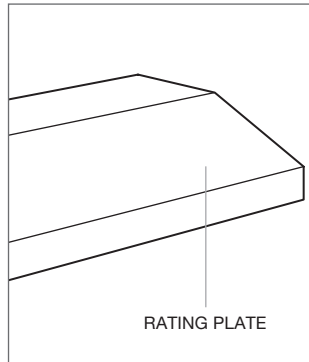
Pro wall hood (left side)



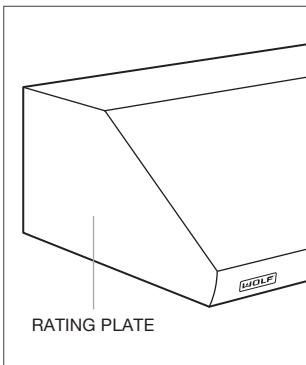
Pro wall chimney hood (back)



Pro island hood (back)



Pro hood liner (right side)



Pro outdoor wall hood (left side)



WOLF APPLIANCE, INC. P.O. BOX 44848 MADISON, WI 53744 WOLFAPPLIANCE.COM 800.222.7820

9/2019

PRODUCT RATING GUIDE

MODEL / SERIAL NUMBER AND PRODUCT RATING



Product Information

Important information for each Cove product is listed on the product rating plate. Refer to the illustration for your Cove product on the following page for exact location.

Information included on the product rating plate:

- Model and serial numbers. These numbers are required to register your product for warranty service.
- Electrical specifications including ratings.

Activate your warranty today for a rewarding ownership experience. Register in one of three easy ways:

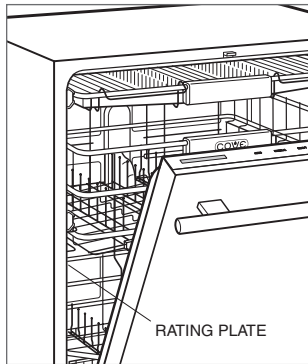
- 1 Online at coveappliance.com/register.
- 2 Call 800-222-7820 (have your serial number ready).
- 3 Complete and mail the postage-paid reply card.

PRODUCT RATING GUIDE

Product Rating Plate Location

DISHWASHER

The product rating information is located on the left side wall of the unit.





COVE APPLIANCE, INC. P.O. BOX 44848 MADISON, WI 53744 COVEAPPLIANCE.COM 800.222.7820

9/2019