



ANTI-TIP BLOCKING KIT

To prevent the unit from tipping forward and to provide a stable installation, the unit must be secured in place with an anti-tip blocking kit. If there is a solid soffit above the unit with clearance between the unit and the soffit of 1" (25) or less, you won't need to block the unit. But for installations with clearances of more than 1" (25), you must block the unit with the anti-tip blocking kit (wood block and hardware) provided with each Sub-Zero Built-In model. Refer to the Built-In Installation Instructions packed with the appliance, which provides step-by-step procedures for making sure the unit is installed properly.

ACCESSORIES

Optional accessories are available through your Sub-Zero dealer. To obtain local dealer information, visit the Showroom Locator section of our website, subzero.com.

ADDING PANELS

In your plan for panels, be sure you are working with the Sub-Zero panel design family called for in your design. If you have chosen the stainless steel design, the unit will be shipped complete with wrapped stainless steel doors and handle hardware. You will not have to install door panels.

Specifications on the following pages provide panel dimensions and installation considerations for framed and overlay door panels.

Side panels can be used with the framed, overlay and stainless steel design applications. Refer to specifications on page 26.

FRAMED DOOR PANELS

If you and your client have ordered a framed design model, you will be adding panels to give the unit the custom Sub-Zero look. The framed panel design option is available on all Built-In units except Models 648PRO and 648PROG. For exact door panel dimensions for Built-In framed models, refer to the Framed Panel Specifications on pages 20-21. Also refer to the full-scale illustrations at the end of this section for panel and handle considerations.

The traditional framed models come with an elegant, smooth, full-length handle. Optional extended full-length handles that provide additional finger clearance for raised panels are available through your Sub-Zero dealer.

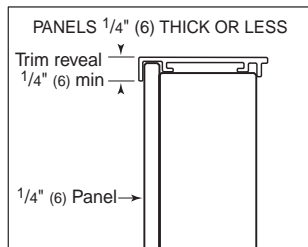
If the thickness of the custom panels is less than 1/4" (6), they must be backed up with a sheet of shim material to build the total thickness to 1/4" (6). If the panel is thicker than 1/4" (6), an edge must be routed around the panel to ensure a proper fit. Refer to illustrations 1 and 2.

**IMPORTANT NOTE:** On all framed models, routing, recessing or optional extended handles may be required on raised panels for finger clearance under the handle. Refer to the full-scale illustrations at the end of this section.

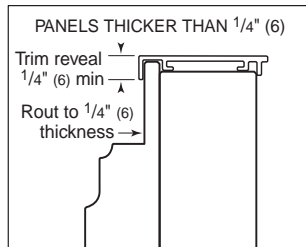
For glass door Models 601RG, 611G and 650G, the refrigerator door panel must include a cut-out to accommodate the window. Refer to the Framed Panel Specifications on pages 20-21.

**IMPORTANT NOTE:** On glass door models, the glass portion of the door must be exposed and not covered by any part of the panel.

For Models 685 and 695, the refrigerator door panel must include a cut-out to accommodate the glasswell and bezel. The thickness of the panel in this area can range from 1/4" (6) to a maximum of 1 1/8" (29). If the panel is thicker, provisions must be made to rout out a space to accommodate the decorative bezel surrounding the glasswell.



Illus. 1



Illus. 2

Dimensions in parentheses are in millimeters unless otherwise specified.



**GLASSWELL PANEL OPTIONS**

If you choose not to use custom wood panels above or below the glasswell for Model 685 or 695 framed application, a stainless steel insert panel will be provided with the partial framed accessory kit. This accessory kit (FRAMPAR), includes partial framed molding and classic stainless steel inset handle panel to provide a spill-resistant finish above and below the glasswell on the refrigerator door only. Refer to the Framed Panel Specifications for this option on page 21.

With the framed retrofit accessory kit, existing Model 680 or 690 door panels can be used on a new Model 685 or 695 framed unit. This accessory kit (FRAMRET) includes framed retrofit moldings and classic stainless steel inset handle panels to accommodate existing Model 680 or 690 framed refrigerator and freezer door panels.

**IMPORTANT NOTE:** When using Model 680 or 690 raised panels with the framed retrofit kit (FRAMRET), a 1/2" (13) trim reveal down to 1/4" (6) thickness is necessary at the bezel in order for the panels to fit properly.

Both accessory kits are available through your Sub-Zero dealer. Refer to the illustrations below.

**OPTIONAL PANEL GRILLE**

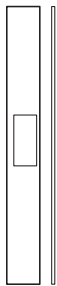
An 11" (279) louvered grille is standard on framed applications. Optional louvered grilles are available in 1" (25) height increments from 10" (254) to 15" (381) for all Built-In models except Models 601R, 601RG, 601F, 648PRO and 648PROG.

You may choose to use Sub-Zero's optional panel grille for some of your framed applications. The panel grilles can be used with all Built-In models except Models 601R, 601RG, 601F, 648PRO and 648PROG and are available in 1" (25) height increments from 10" (254) to 15" (381).

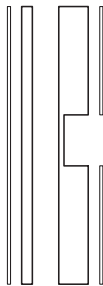
For each model, the width of the panel grille will be the same, regardless of the height you have chosen. To determine the panel grille insert size, use the width dimension listed for your model and the height dimension for the grille option you have chosen. Specifications for the Panel Grille Option are listed on page 21.

**PANEL REQUIREMENTS**

The weight of each framed door panel cannot exceed 50 lbs (23 kg).



**Partial Framed Kit**  
FRAMPAR



**Framed Retrofit Kit**  
FRAMRET

**FRAMED PANELS**

To install framed panels, see the detailed procedures outlined in the Sub-Zero Built-In Installation Instructions.



## BUILT-IN REFRIGERATION

### FRAMED DOOR PANEL SPECIFICATIONS

All Refrigerator | All Freezer Framed (F) Models

Model 601R	W	H
Refrigerator Framed Panel	34 <sup>1</sup> / <sub>8</sub> " (867)	58 <sup>15</sup> / <sub>16</sub> " (1497)
Raised Panel Handle Recess Location - Refrigerator Panel	A) 29 <sup>15</sup> / <sub>32</sub> " (749)	

Model 601RG	W	H
Refrigerator Framed Panel	34 <sup>1</sup> / <sub>8</sub> " (867)	58 <sup>15</sup> / <sub>16</sub> " (1497)
Raised Panel Handle Recess Location - Refrigerator Panel	A) 29 <sup>15</sup> / <sub>32</sub> " (749)	
Window Cut-Out Dimensions	25 <sup>3</sup> / <sub>8</sub> " (645)	41 <sup>3</sup> / <sub>16</sub> " (1046)
Window Cut-Out Location	C) 4 <sup>3</sup> / <sub>8</sub> " (111)	D) 13 <sup>3</sup> / <sub>8</sub> " (340)

Model 601F	W	H
Freezer Framed Panel	34 <sup>1</sup> / <sub>8</sub> " (867)	58 <sup>15</sup> / <sub>16</sub> " (1497)
Raised Panel Handle Recess Location - Freezer Panel	A) 29 <sup>15</sup> / <sub>32</sub> " (749)	

**IMPORTANT NOTE:** Panel specifications are for Built-In framed (F) models. Panel specifications for overlay models are on pages 24-25.

### FRAMED DOOR PANEL SPECIFICATIONS

Over-and-Under Framed (F) Models

Model 611	W	H
Refrigerator Framed Panel	28 <sup>1</sup> / <sub>8</sub> " (714)	48 <sup>1</sup> / <sub>16</sub> " (1221)
Freezer Framed Panel	28 <sup>1</sup> / <sub>8</sub> " (714)	18 <sup>3</sup> / <sub>8</sub> " (467)
Raised Panel Handle Recess Location - Refrigerator Panel	A) 24 <sup>1</sup> / <sub>32</sub> " (610)	
Freezer Panel	B) 14 <sup>1</sup> / <sub>16</sub> " (357)	

Model 611G	W	H
Refrigerator Framed Panel	28 <sup>1</sup> / <sub>8</sub> " (714)	48 <sup>1</sup> / <sub>16</sub> " (1221)
Freezer Framed Panel	28 <sup>1</sup> / <sub>8</sub> " (714)	18 <sup>3</sup> / <sub>8</sub> " (467)
Raised Panel Handle Recess Location - Refrigerator Panel	A) 24 <sup>1</sup> / <sub>32</sub> " (610)	
Freezer Panel	B) 14 <sup>1</sup> / <sub>16</sub> " (357)	
Window Cut-Out Dimensions	19 <sup>3</sup> / <sub>8</sub> " (492)	39 <sup>5</sup> / <sub>16</sub> " (999)
Window Cut-Out Location	C) 4 <sup>3</sup> / <sub>8</sub> " (111)	D) 4 <sup>3</sup> / <sub>8</sub> " (111)

Model 650	W	H
Refrigerator Framed Panel	34 <sup>1</sup> / <sub>8</sub> " (867)	48 <sup>1</sup> / <sub>16</sub> " (1221)
Freezer Framed Panel	34 <sup>1</sup> / <sub>8</sub> " (867)	18 <sup>3</sup> / <sub>8</sub> " (467)
Raised Panel Handle Recess Location - Refrigerator Panel	A) 24 <sup>1</sup> / <sub>32</sub> " (610)	
Freezer Panel	B) 17 <sup>1</sup> / <sub>16</sub> " (433)	

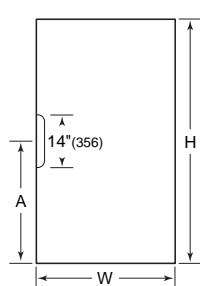
Model 650G	W	H
Refrigerator Framed Panel	34 <sup>1</sup> / <sub>8</sub> " (867)	48 <sup>1</sup> / <sub>16</sub> " (1221)
Freezer Framed Panel	34 <sup>1</sup> / <sub>8</sub> " (867)	18 <sup>3</sup> / <sub>8</sub> " (467)
Raised Panel Handle Recess Location - Refrigerator Panel	A) 24 <sup>1</sup> / <sub>32</sub> " (610)	
Freezer Panel	B) 17 <sup>1</sup> / <sub>16</sub> " (433)	
Window Cut-Out Dimensions	25 <sup>3</sup> / <sub>8</sub> " (645)	39 <sup>5</sup> / <sub>16</sub> " (999)
Window Cut-Out Location	C) 4 <sup>3</sup> / <sub>8</sub> " (111)	D) 4 <sup>3</sup> / <sub>8</sub> " (111)

**IMPORTANT NOTE:** Panel specifications are for Built-In framed (F) models. Panel specifications for overlay models are on pages 24-25.

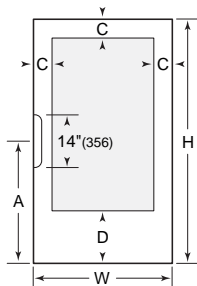
### FRAMED PANELS

Panel specifications are for Built-In framed (F) models.

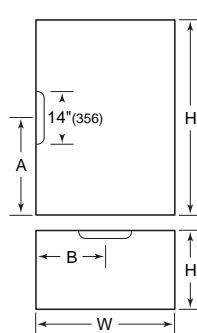
Dimensions in parentheses are in millimeters unless otherwise specified.



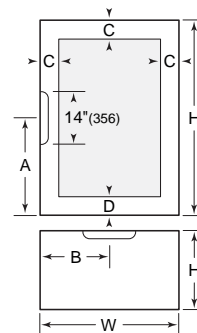
Models 601R and 601F



Model 601RG



Models 611 and 650



Models 611G and 650G



FRAMED DOOR PANEL SPECIFICATIONS

Side-by-Side Framed (F) Models

	W	H
Refrigerator Framed Panel	19 <sup>1</sup> / <sub>8</sub> " (486)	67 <sup>11</sup> / <sub>16</sub> " (1719)
Freezer Framed Panel	14 <sup>5</sup> / <sub>8</sub> " (371)	67 <sup>11</sup> / <sub>16</sub> " (1719)

Raised Panel Handle Recess Location -

Refrigerator | Freezer Panel **A) 38<sup>5</sup>/<sub>32</sub>" (969)**

	W	H
Refrigerator Framed Panel	24" (610)	67 <sup>11</sup> / <sub>16</sub> " (1719)
Freezer Framed Panel	15 <sup>5</sup> / <sub>8</sub> " (397)	67 <sup>11</sup> / <sub>16</sub> " (1719)

Raised Panel Handle Recess Location -

Refrigerator | Freezer Panel **A) 38<sup>5</sup>/<sub>32</sub>" (969)**

	W	H
Refrigerator Framed Panel	24" (610)	67 <sup>11</sup> / <sub>16</sub> " (1719)
Freezer Framed Panel	15 <sup>5</sup> / <sub>8</sub> " (397)	67 <sup>11</sup> / <sub>16</sub> " (1719)
Glasswell Cut-Out Dimensions	5 <sup>7</sup> / <sub>8</sub> " (150)	12 <sup>7</sup> / <sub>16</sub> " (315)
Glasswell Location (Refrigerator)	<b>E) 1<sup>9</sup>/<sub>16</sub>" (39)</b>	<b>F) 28<sup>9</sup>/<sub>16</sub>" (726)</b>

	W	H
Refrigerator Framed Panel	27 <sup>11</sup> / <sub>16</sub> " (703)	67 <sup>11</sup> / <sub>16</sub> " (1719)
Freezer Framed Panel	17 <sup>15</sup> / <sub>16</sub> " (456)	67 <sup>11</sup> / <sub>16</sub> " (1719)

Raised Panel Handle Recess Location -

Refrigerator | Freezer Panel **A) 38<sup>5</sup>/<sub>32</sub>" (969)**

	W	H
Refrigerator Framed Panel	27 <sup>11</sup> / <sub>16</sub> " (703)	67 <sup>11</sup> / <sub>16</sub> " (1719)
Freezer Framed Panel	17 <sup>15</sup> / <sub>16</sub> " (456)	67 <sup>11</sup> / <sub>16</sub> " (1719)
Glasswell Cut-Out Dimensions	5 <sup>7</sup> / <sub>8</sub> " (150)	12 <sup>7</sup> / <sub>16</sub> " (315)
Glasswell Location (Refrigerator)	<b>E) 1<sup>9</sup>/<sub>16</sub>" (39)</b>	<b>F) 28<sup>9</sup>/<sub>16</sub>" (726)</b>

**IMPORTANT NOTE:** Panel specifications are for Built-In framed (F) models. Panel specifications for overlay models are on pages 24-25.

For Models 685 and 695, panel thickness in the glasswell area can range from 1/4" (6) to a maximum of 1 1/8" (29). If the panel is thicker, you must rout out a minimum 1/4" (6) flat landing area to accommodate the bezel surrounding the glasswell.

PARTIAL FRAMED DOOR PANEL OPTION

Ice | Water Dispensing Framed (F) Models

	W	H
Refrigerator Partial Framed Panel	15 <sup>5</sup> / <sub>8</sub> " (397)	67 <sup>11</sup> / <sub>16</sub> " (1719)
Freezer Partial Framed Panel	15 <sup>5</sup> / <sub>8</sub> " (397)	67 <sup>11</sup> / <sub>16</sub> " (1719)

	W	H
Refrigerator Partial Framed Panel	17 <sup>15</sup> / <sub>16</sub> " (456)	67 <sup>11</sup> / <sub>16</sub> " (1719)
Freezer Partial Framed Panel	17 <sup>15</sup> / <sub>16</sub> " (456)	67 <sup>11</sup> / <sub>16</sub> " (1719)

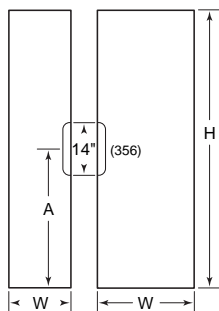
The partial framed accessory kit (FRAMPAR) is required for this option. Kit includes partial framed molding and classic stainless steel inset handle panels for above and below glasswell on the refrigerator door.

PANEL GRILLE OPTION

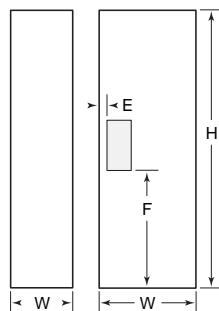
Framed (F) Models

<b>Models 611 and 611G</b>	<b>W</b>
Grille Panel Width	28 <sup>3</sup> / <sub>16</sub> " (716)
<b>Models 650, 650G, 661</b>	<b>W</b>
Grille Panel Width	34 <sup>3</sup> / <sub>16</sub> " (868)
<b>Models 642 and 685</b>	<b>W</b>
Grille Panel Width	40 <sup>3</sup> / <sub>16</sub> " (1021)
<b>Models 632 and 695</b>	<b>W</b>
Grille Panel Width	46 <sup>3</sup> / <sub>16</sub> " (1173)
<b>10" (254) Grille</b>	<b>H</b>
Grille Panel Height	8 <sup>15</sup> / <sub>16</sub> " (227)
<b>11" (279) Grille (standard)</b>	<b>H</b>
Grille Panel Height	9 <sup>15</sup> / <sub>16</sub> " (252)
<b>12" (305) Grille Height</b>	<b>H</b>
Grille Panel Height	10 <sup>15</sup> / <sub>16</sub> " (278)
<b>13" (330) Grille</b>	<b>H</b>
Grille Panel Height	11 <sup>15</sup> / <sub>16</sub> " (303)
<b>14" (356) Grille</b>	<b>H</b>
Grille Panel Height	12 <sup>15</sup> / <sub>16</sub> " (329)
<b>15" (381) Grille</b>	<b>H</b>
Grille Panel Height	13 <sup>15</sup> / <sub>16</sub> " (354)

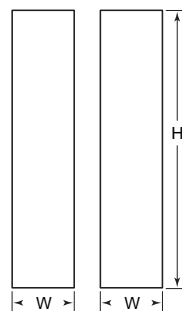
For panel grille insert size, use width dimension listed for your model and height dimension for grille option. 11" (279) grille is standard.



**Models 661, 642 and 632**



**Models 685 and 695**



**Models 685 and 695 Partial Framed Option**

FRAMED PANELS

To install framed panels, see the detailed procedures outlined in the Sub-Zero Built-In Installation Instructions.



OVERLAY DOOR PANELS

If you and your client have ordered an overlay design model, you will be adding panels to give the unit the custom Sub-Zero look. The overlay panel design option is available on all Built-In units except Models 648PRO and 648PROG.

For exact door panel dimensions for Built-In overlay models, refer to the Overlay Panel Specifications on pages 24-25.

PANEL REQUIREMENTS

The overlay door panel assembly must be a minimum of 5/8" (16) thick and cannot exceed 50 lbs (23 kg).

The overlay design allows decorative panels to cover the door trim for a more seamless appearance that blends with the design of the room. To achieve this look, the most common way is to work with three panels—the decorative overlay panel, a 0.10" (3) spacer panel and a 1/4" (6) backer panel. Depending on your cabinet manufacturer, this could be one panel routed for different dimensions or, more likely, three different panels.

Regardless of the physical construction of the panels (routing or three-panel assembly), you will need to follow the Overlay Panel Specifications on the following pages for exact sizing and panel placement to ensure a proper fit.

Illustration 3 is a cross section view of the three-panel assembly showing placement of the door, drawer or grille trim. Illustration 4 shows a rear view of the three-panel assembly and critical dimensions, standard for all models.

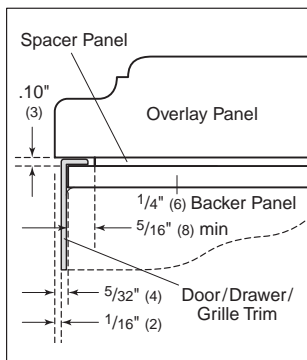
**IMPORTANT NOTE:** Keep in mind that the Sub-Zero door panels have the potential for hitting adjacent cabinets and/or countertops when they are opened. You need to be aware of your surrounding cabinetry and space limitations when using the overlay models. Refer to the full-scale illustrations at the end of this section.

If you are using an overlay door panel with Model 611, 611G, 650 or 650G, it is necessary to rout a space for the unit's lower hinge plate so it does not strike the door panel. Refer to illustration 5.

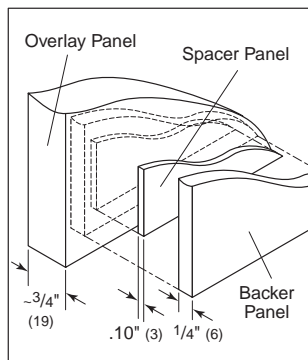
For Models 611, 611G, 650 and 650G, you will minimize the reveal between the bottom of the overlay door panel and the top of the overlay drawer panel. Refer to illustration 6.

**IMPORTANT NOTE:** If you choose not to rout a space for the lower hinge plate, you can reduce the total height of the overlay panel (decorative panel only) by 1/2" (13).

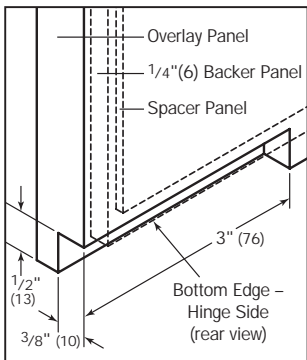
**CAUTION**  
Do not exceed the overlay decorative panel dimensions for Models 611, 611G, 650 or 650G listed on page 24. If you try to make the reveal tighter between the door and drawer panels, the panels may hit when opening and closing, causing possible damage to the panels and the Sub-Zero unit.



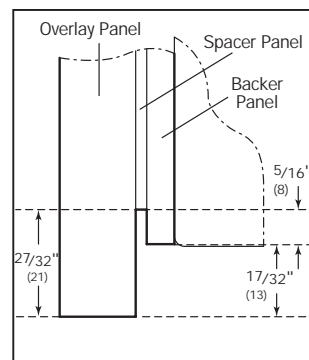
Illus. 3



Illus. 4



Illus. 5



Illus. 6



**OVERLAY DOOR PANELS**

For glass door Models 601RG, 611G and 650G, the refrigerator door panel must include a cut-out to accommodate the window. Refer to the Overlay Panel Specifications for Models 601RG, 611G and 650G on page 24.

**IMPORTANT NOTE:** On glass door models, the glass portion of the door must be exposed and not covered by any part of the panel.

For Models 685 and 695, the refrigerator door panel must include a cut-out to accommodate the glasswell and bezel. The thickness of the panel in this area can range from 1/4" (6) to a maximum of 1 1/8" (29).

**IMPORTANT NOTE:** Regardless of the thickness of the overlay panel for Model 685 or 695, you must plan for a flat 'landing' space for the decorative bezel surrounding the glasswell area. Refer to page 25 for exact cut-out dimensions of the glasswell area in the overlay, spacer and backer panels. This 'landing' area can be accomplished in a number of different ways. We are showing two in Illustrations 7 and 8 below.

Illustration 7 shows how you can recess the bezel to the inset panel. You must rout out a space to accommodate the 12 7/8" (327) height of the bezel. Also keep in mind that the amount of material you will rout out of the stile will vary because of the thickness of this element. However, the width of the stile immediately adjacent to the bezel must be 1 7/16" (37). DO NOT cut the entire stile to this dimension. In this illustration you can see that rails above and below the bezel give this a finished look. Make sure that the bezel is not supporting weight from the panel.

Illustration 8 shows how you can box out a landing space for the bezel using stiles and rails to create this space. Again, keep in mind, that the total thickness of the panel at this level must not exceed 1 1/8" (29).

**OVERLAY PANEL GRILLE**

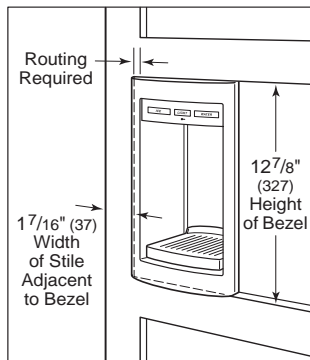
Overlay grille panels for the panel grille match the design of the door panels. Overlay units, except Models 601R, 601RG and 601F, come standard with an 11" (279) panel grille. Optional grilles are available in 1" (25) height increments from 10" (254) to 15" (381). Overlay grille panel specifications for the panel grille are listed on page 25. Also refer to illustration 4 on page 22 for additional overlay panel dimensions.

**OVERLAY PANELS**

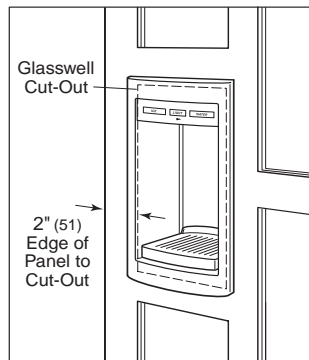
To install overlay panels, see the detailed procedures outlined in the Sub-Zero Built-In Installation Instructions.

**⚠ CAUTION**

Do not exceed the panel dimensions listed for the appropriate overlay grille panel you are specifying. The decorative panel cannot be any larger or it may restrict the airflow to the compressor area and cause problems with the operation of the Sub-Zero unit.



Illus. 7



Illus. 8

Dimensions in parentheses are in millimeters unless otherwise specified.



# BUILT-IN REFRIGERATION

## OVERLAY DOOR PANEL SPECIFICATIONS

All Refrigerator | All Freezer Overlay (O) Models

Model 601R	W	H
Refrigerator Overlay Panel	34 7/16" (875)	59 1/4" (1505)
Refrigerator Spacer Panel	33 1/2" (851)	58 5/16" (1481)
Refrigerator Backer Panel	34 1/8" (867)	58 15/16" (1497)

Model 601RG	W	H
Refrigerator Overlay Panel	34 7/16" (875)	59 1/4" (1505)
Refrigerator Spacer Panel	33 1/2" (851)	58 5/16" (1481)
Refrigerator Backer Panel	34 1/8" (867)	58 15/16" (1497)
Window Cut-Out Dimensions	25 7/16" (646)	41 1/4" (1048)
Window Cut-Out Location	C) 4 1/2" (114)	D) 13 1/2" (343)

Model 601F	W	H
Freezer Overlay Panel	34 7/16" (875)	59 1/4" (1505)
Freezer Spacer Panel	33 1/2" (851)	58 5/16" (1481)
Freezer Backer Panel	34 1/8" (867)	58 15/16" (1497)

IMPORTANT NOTE: Panel specifications are for Built-In overlay (O) models. Panel specifications for framed models are on pages 20-21.

## OVERLAY DOOR PANEL SPECIFICATIONS

Over-and-Under Overlay (O) Models

Model 611	W	H
Refrigerator Overlay Panel	28 7/16" (722)	48 7/8" (1241)
Refrigerator Spacer Panel	27 1/2" (699)	47 7/16" (1205)
Refrigerator Backer Panel	28 1/8" (714)	48 1/16" (1221)

Freezer Overlay Panel	28 7/16" (722)	18 11/16" (475)
Freezer Spacer Panel	27 1/2" (699)	17 3/4" (451)
Freezer Backer Panel	28 1/8" (714)	18 3/8" (467)

Model 611G	W	H
Refrigerator Overlay Panel	28 7/16" (722)	48 7/8" (1241)
Refrigerator Spacer Panel	27 1/2" (699)	47 7/16" (1205)
Refrigerator Backer Panel	28 1/8" (714)	48 1/16" (1221)

Freezer Overlay Panel	28 7/16" (722)	18 11/16" (475)
Freezer Spacer Panel	27 1/2" (699)	17 3/4" (451)
Freezer Backer Panel	28 1/8" (714)	18 3/8" (467)

Window Cut-Out Dimensions	19 7/16" (494)	39 3/8" (1000)
Window Cut-Out Location	C) 4 1/2" (114)	D) 5" (127)

Model 650	W	H
Refrigerator Overlay Panel	34 7/16" (875)	48 7/8" (1241)
Refrigerator Spacer Panel	33 1/2" (851)	47 7/16" (1205)
Refrigerator Backer Panel	34 1/8" (867)	48 1/16" (1221)

Freezer Overlay Panel	34 7/16" (875)	18 11/16" (475)
Freezer Spacer Panel	33 1/2" (851)	17 3/4" (451)
Freezer Backer Panel	34 1/8" (867)	18 3/8" (467)

Model 650G	W	H
Refrigerator Overlay Panel	34 7/16" (875)	48 7/8" (1241)
Refrigerator Spacer Panel	33 1/2" (851)	47 7/16" (1205)
Refrigerator Backer Panel	34 1/8" (867)	48 1/16" (1221)

Freezer Overlay Panel	34 7/16" (875)	18 11/16" (475)
Freezer Spacer Panel	33 1/2" (851)	17 3/4" (451)
Freezer Backer Panel	34 1/8" (867)	18 3/8" (467)

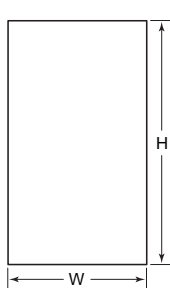
Window Cut-Out Dimensions	25 7/16" (646)	39 3/8" (1000)
Window Cut-Out Location	C) 4 1/2" (114)	D) 5" (127)

IMPORTANT NOTE: Panel specifications are for Built-In overlay (O) models. Panel specifications for framed models are on pages 20-21.

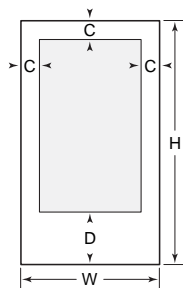
## OVERLAY PANELS

Panel specifications are for Built-In overlay (O) models.

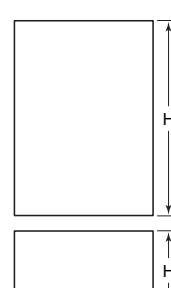
Dimensions in parentheses are in millimeters unless otherwise specified.



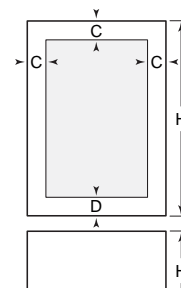
Models 601R and 601F



Model 601RG



Models 611 and 650



Models 611G and 650G



OVERLAY DOOR PANEL SPECIFICATIONS

Side-by-Side Overlay (O) Models

Model 661	W	H
Refrigerator Overlay Panel	19 <sup>7</sup> / <sub>16</sub> " (494)	68" (1727)
Refrigerator Spacer Panel	18 <sup>1</sup> / <sub>2</sub> " (470)	67 <sup>1</sup> / <sub>16</sub> " (1703)
Refrigerator Backer Panel	19 <sup>1</sup> / <sub>8</sub> " (486)	67 <sup>11</sup> / <sub>16</sub> " (1719)
Freezer Overlay Panel	14 <sup>15</sup> / <sub>16</sub> " (379)	68" (1727)
Freezer Spacer Panel	14" (356)	67 <sup>1</sup> / <sub>16</sub> " (1703)
Freezer Backer Panel	14 <sup>5</sup> / <sub>8</sub> " (371)	67 <sup>11</sup> / <sub>16</sub> " (1719)

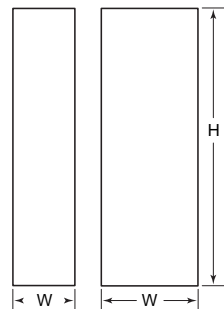
Models 642 and 685	W	H
Refrigerator Overlay Panel	24 <sup>5</sup> / <sub>16</sub> " (618)	68" (1727)
Refrigerator Spacer Panel	23 <sup>3</sup> / <sub>8</sub> " (594)	67 <sup>1</sup> / <sub>16</sub> " (1703)
Refrigerator Backer Panel	24" (610)	67 <sup>11</sup> / <sub>16</sub> " (1719)
Freezer Overlay Panel	15 <sup>15</sup> / <sub>16</sub> " (405)	68" (1727)
Freezer Spacer Panel	15" (381)	67 <sup>1</sup> / <sub>16</sub> " (1703)
Freezer Backer Panel	15 <sup>5</sup> / <sub>8</sub> " (397)	67 <sup>11</sup> / <sub>16</sub> " (1719)

Models 632 and 695	W	H
Refrigerator Overlay Panel	28" (711)	68" (1727)
Refrigerator Spacer Panel	27 <sup>1</sup> / <sub>16</sub> " (687)	67 <sup>1</sup> / <sub>16</sub> " (1703)
Refrigerator Backer Panel	27 <sup>11</sup> / <sub>16</sub> " (703)	67 <sup>11</sup> / <sub>16</sub> " (1719)
Freezer Overlay Panel	18 <sup>1</sup> / <sub>4</sub> " (464)	68" (1727)
Freezer Spacer Panel	17 <sup>5</sup> / <sub>16</sub> " (440)	67 <sup>1</sup> / <sub>16</sub> " (1703)
Freezer Backer Panel	17 <sup>15</sup> / <sub>16</sub> " (456)	67 <sup>11</sup> / <sub>16</sub> " (1719)

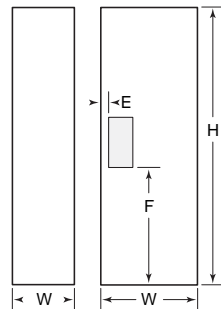
Glasswell Cut-Out - Models 685 and 695	W	H
Glasswell Cut-Out Dimensions	5 <sup>7</sup> / <sub>8</sub> " (150)	12 <sup>7</sup> / <sub>16</sub> " (315)
Glasswell Location (Overlay)	E) 1 <sup>11</sup> / <sub>16</sub> " (43)	F) 28 <sup>3</sup> / <sub>4</sub> " (730)
Glasswell Location (Spacer)	E) 1 <sup>1</sup> / <sub>4</sub> " (31)	F) 28 <sup>1</sup> / <sub>4</sub> " (718)
Glasswell Location (Backer)	E) 1 <sup>9</sup> / <sub>16</sub> " (39)	F) 28 <sup>9</sup> / <sub>16</sub> " (726)

**IMPORTANT NOTE:** Panel specifications are for Built-In overlay (O) models. Panel specifications for framed models are on pages 20-21.

For Models 685 and 695, panel thickness in the glasswell area can range from 1/4" (6) to a maximum of 1 1/8" (29). If the panel is thicker, you must rout out a minimum 1/4" (6) flat landing area to accommodate the bezel surrounding the glasswell.



Models 661, 642 and 632



Models 685 and 695

OVERLAY GRILLE PANEL

Overlay (O) Models  
Width Dimensions

Models 611 and 611G	W
Overlay Panel Width	28 <sup>7</sup> / <sub>16</sub> " (722)
Spacer Panel Width	27 <sup>1</sup> / <sub>2</sub> " (699)
Backer Panel Width	28 <sup>1</sup> / <sub>8</sub> " (714)

Models 650, 650G, 661	W
Overlay Panel Width	34 <sup>7</sup> / <sub>16</sub> " (875)
Spacer Panel Width	33 <sup>1</sup> / <sub>2</sub> " (851)
Backer Panel Width	34 <sup>1</sup> / <sub>8</sub> " (867)

Models 642 and 685	W
Overlay Panel Width	40 <sup>7</sup> / <sub>16</sub> " (1027)
Spacer Panel Width	39 <sup>1</sup> / <sub>2</sub> " (1003)
Backer Panel Width	40 <sup>1</sup> / <sub>8</sub> " (1019)

Models 632 and 695	W
Overlay Panel Width	46 <sup>7</sup> / <sub>16</sub> " (1180)
Spacer Panel Width	45 <sup>1</sup> / <sub>2</sub> " (1156)
Backer Panel Width	46 <sup>1</sup> / <sub>8</sub> " (1172)

Height Dimensions

10" (254) Grille	H
Overlay Panel Height	9 <sup>1</sup> / <sub>4</sub> " (235)
Spacer Panel Height	8 <sup>5</sup> / <sub>16</sub> " (211)
Backer Panel Height	8 <sup>15</sup> / <sub>16</sub> " (227)

11" (279) Grille (standard)	H
Overlay Panel Height	10 <sup>1</sup> / <sub>4</sub> " (260)
Spacer Panel Height	9 <sup>5</sup> / <sub>16</sub> " (237)
Backer Panel Height	9 <sup>15</sup> / <sub>16</sub> " (252)

12" (305) Grille Height	H
Overlay Panel Height	11 <sup>1</sup> / <sub>4</sub> " (286)
Spacer Panel Height	10 <sup>5</sup> / <sub>16</sub> " (262)
Backer Panel Height	10 <sup>15</sup> / <sub>16</sub> " (278)

13" (330) Grille	H
Overlay Panel Height	12 <sup>1</sup> / <sub>4</sub> " (311)
Spacer Panel Height	11 <sup>5</sup> / <sub>16</sub> " (287)
Backer Panel Height	11 <sup>15</sup> / <sub>16</sub> " (303)

14" (356) Grille	H
Overlay Panel Height	13 <sup>1</sup> / <sub>4</sub> " (337)
Spacer Panel Height	12 <sup>5</sup> / <sub>16</sub> " (313)
Backer Panel Height	12 <sup>15</sup> / <sub>16</sub> " (329)

15" (381) Grille	H
Overlay Panel Height	14 <sup>1</sup> / <sub>4</sub> " (362)
Spacer Panel Height	13 <sup>5</sup> / <sub>16</sub> " (338)
Backer Panel Height	13 <sup>15</sup> / <sub>16</sub> " (354)

For grille panel size, use width dimensions listed for your model and height dimensions for grille option. 11" (279) grille is standard.

Panel grille is available for all overlay units except Models 601R, 601RG and 601F.

OVERLAY PANELS

To install overlay panels, see the detailed procedures outlined in the Sub-Zero Built-In Installation Instructions.



### HANDLE HARDWARE

Overlay models come without handle hardware. The beauty of this design is that you can match the surrounding cabinet hardware. You or the cabinet manufacturer must provide handle hardware to match the overall decorating scheme.

The handle hardware must be installed before installing the panel assembly. Use larger D-style handles. If screws with thick heads are used, the screws will need to be countersunk into the door before the panel is put into place.

**IMPORTANT NOTE:** Sub-Zero does not recommend using single pull knobs on any of its Built-In models.

For overlay Models 685 and 695, mounting placement of the refrigerator door handle must assure proper access to the glasswell and adequate clearance under the handle. Illustration 9 shows placement of the refrigerator door handle in relationship to the glasswell bezel on stainless steel models.

Optional stainless steel handles are available in a variety of diameters and lengths, as are handles to match the color and style of Wolf ovens. Contact your Sub-Zero dealer for specifics.

Refer to the full-scale illustrations at the end of this section for handle hardware considerations.

### SIDE PANELS

Side panels can be used with the framed, overlay and stainless steel design applications. When planning for side panels with the installation of a Built-In model, you need to be aware of space configuration to achieve a pleasing fit. Depending on the exact panel you are using with your unit, the height of the panel will vary.

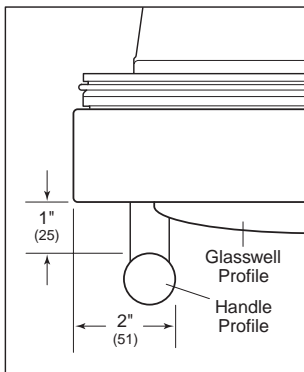
Cut-outs around the toe kick and grille area are required if a 1/4" (6) thick panel will be inserted into the main frame channel. The panel will need to be 24" (610) deep. If a 3/8" (10) thick panel is used, the panel will abut the main frame and should be 23 7/8" (606) deep. Refer to illustrations 10-12 below for placement of toe kick and grille area cut-outs for your specific model.

These dimensions do not apply to Models 648PRO and 648PROG. The toe kick area may or may not be cut out depending on the look you want to achieve.

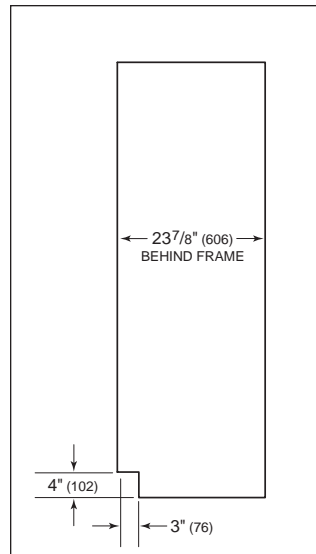
**IMPORTANT NOTE:** The use of side panels may change the width of your rough opening.

### ACCESSORIES

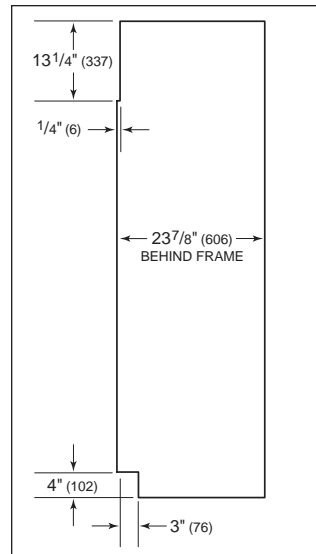
Optional accessories are available through your Sub-Zero dealer. To obtain local dealer information, visit the Showroom Locator section of our website, [subzero.com](http://subzero.com).



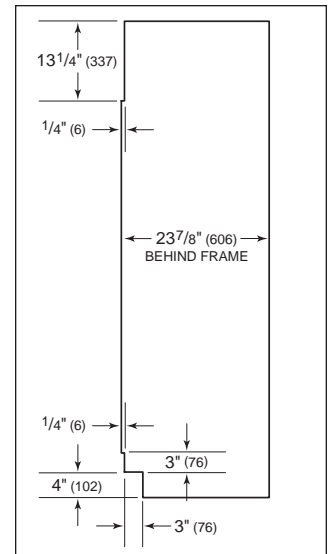
Illus. 9



Illus. 10—Models 601R, 601RG and 601F



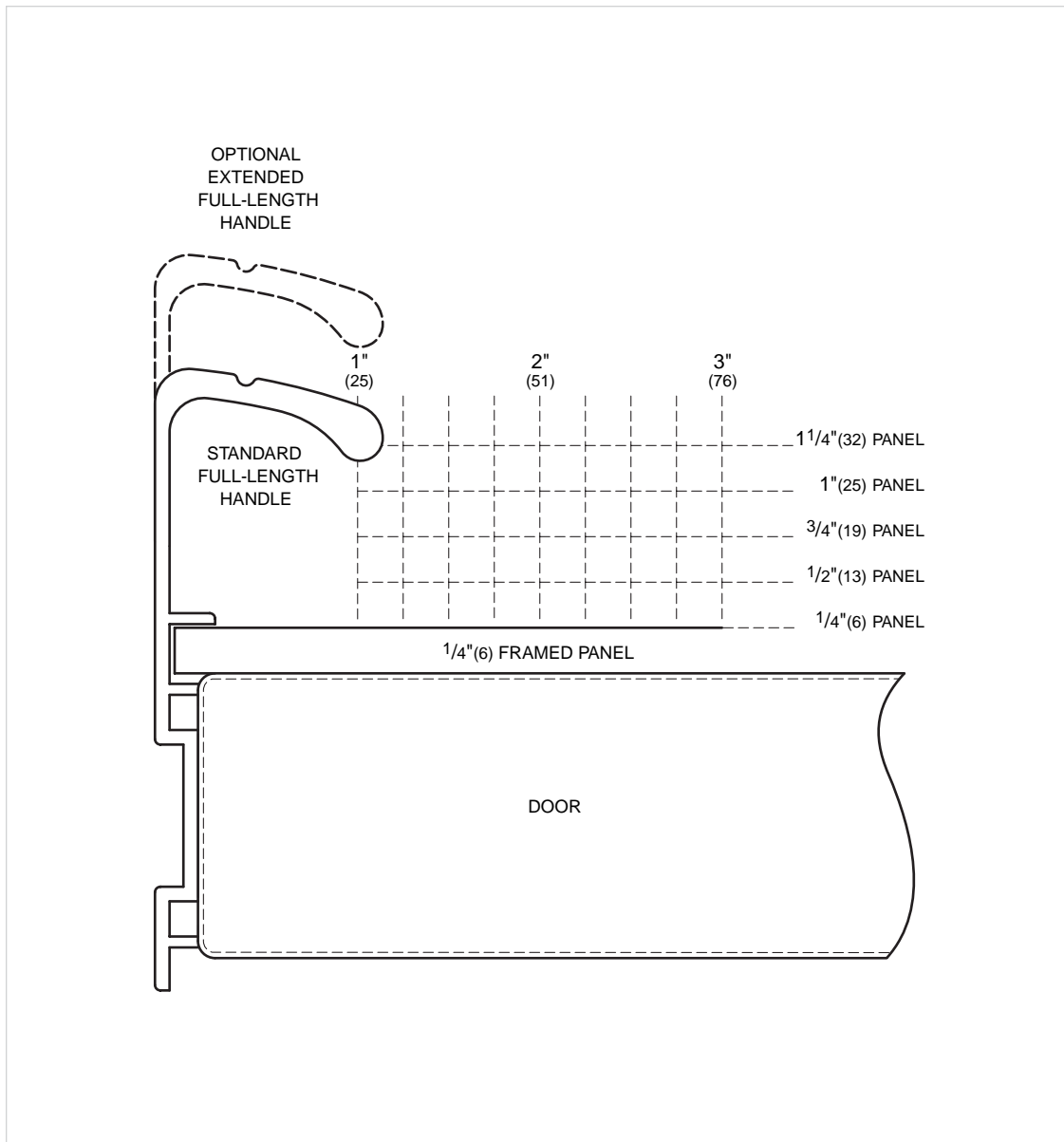
Illus. 11—Models 611, 611G, 650 and 650G



Illus. 12—Models 661, 642, 632, 685 and 695



PANEL AND HANDLE PROFILE - FRAMED APPLICATION



FULL-SCALE TEMPLATES

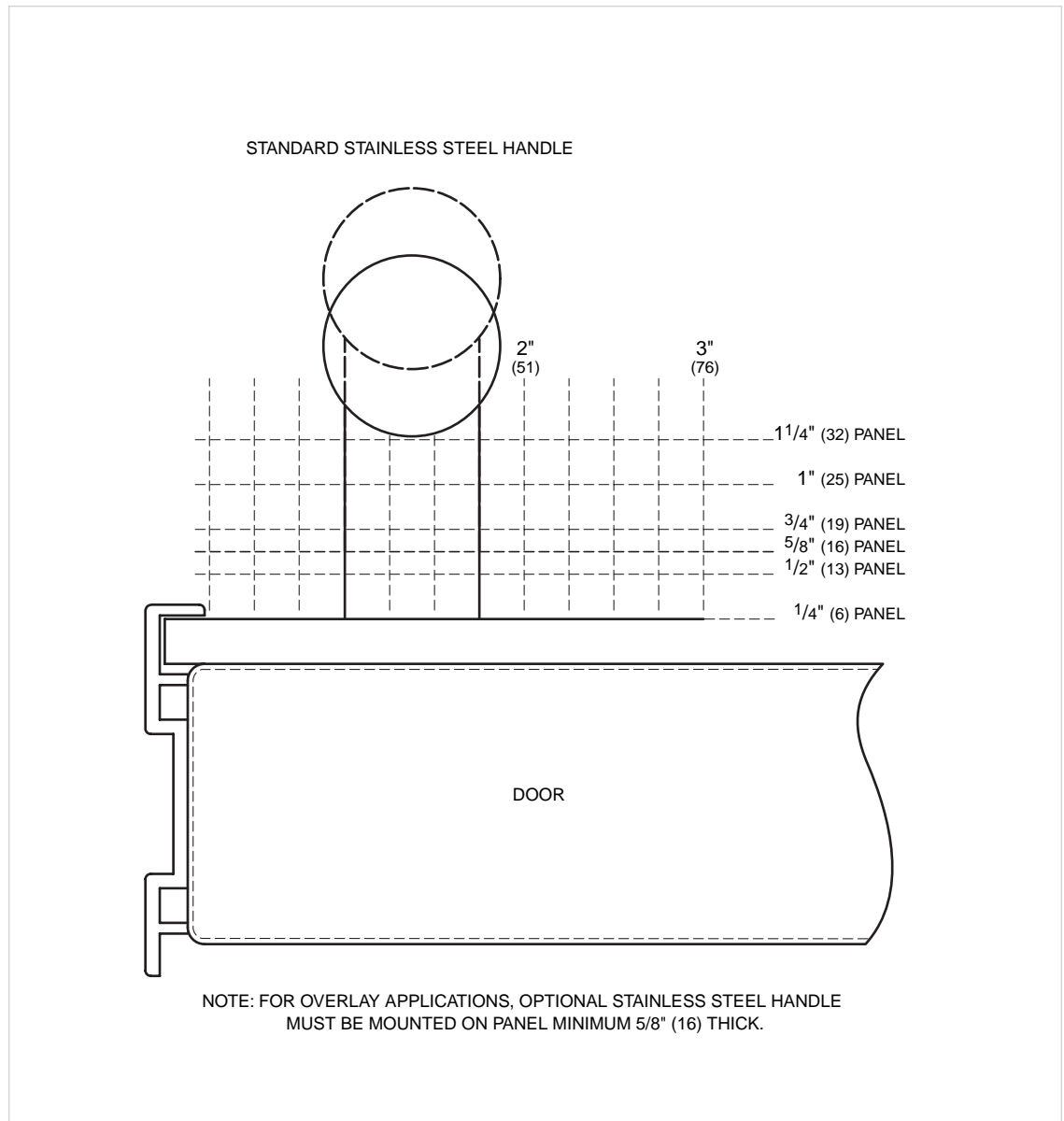
The full-scale illustrations on the following pages enable you to understand some of the unique situations you may face as you plan for the installation of the Built-In models. Use these illustrations as templates for panel and handle hardware considerations.

The full-scale illustration above shows handle placement for the framed application standard full-length handle and the optional extended full-length handle shown in the dashed line.

Dimensions in parentheses are in millimeters unless otherwise specified.



PANEL AND HANDLE PROFILE - OVERLAY AND STAINLESS STEEL APPLICATION



The full-scale illustration above shows handle placement for the standard stainless steel handle on the wrapped stainless steel door and on overlay panel applications shown in the dashed line.

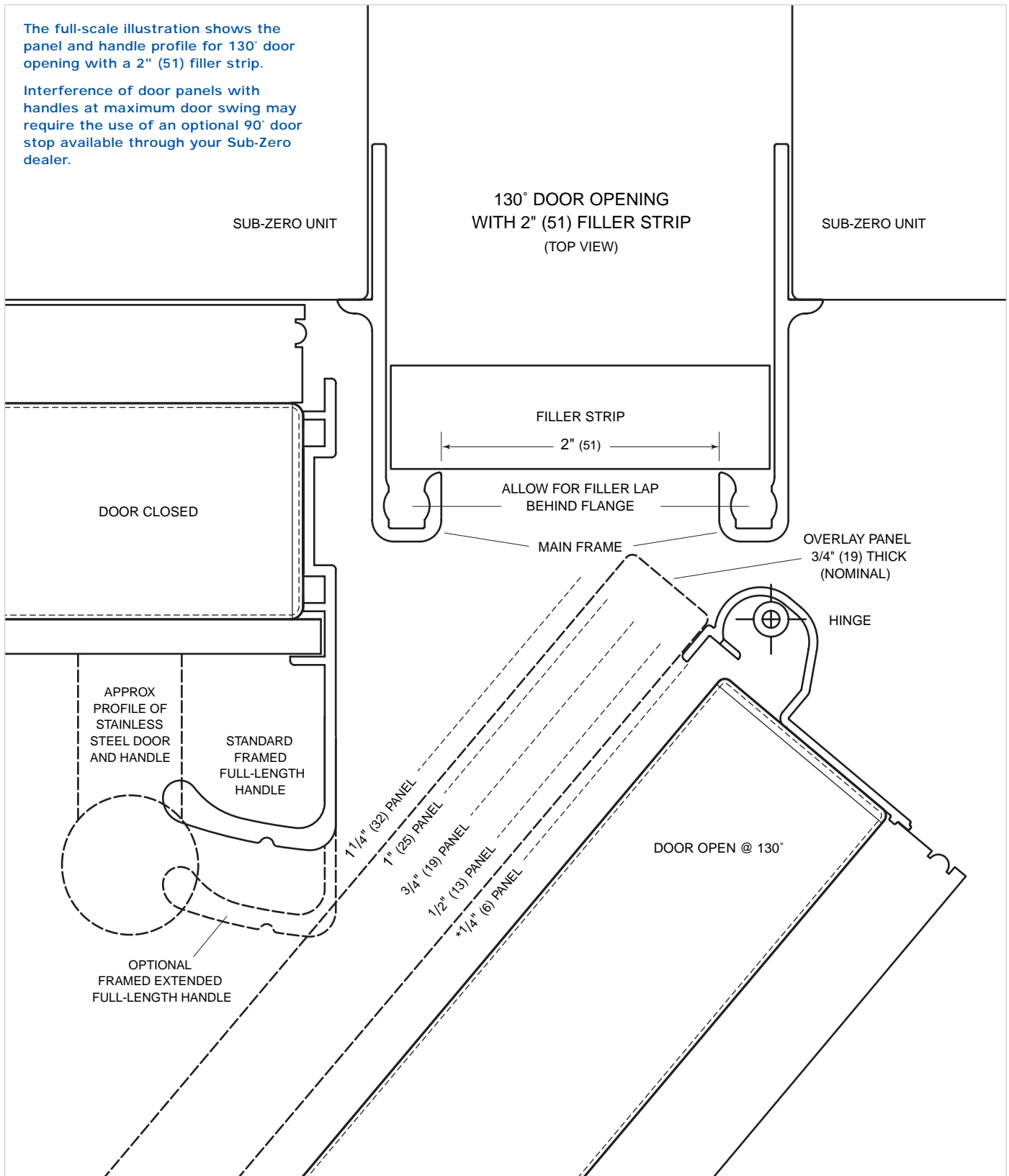
**IMPORTANT NOTE:** For overlay applications, the panel must be a minimum of 5/8" (16) thick to support mounting the handle hardware.

For overlay applications, mount door handles close to the opening edge of the door for ease of opening.

Dimensions in parentheses are in millimeters unless otherwise specified.



PANEL AND HANDLE PROFILE - 130° DOOR OPENING (TOP VIEW)



\*Approximate thickness of wrapped stainless steel door.



OVERLAY PANEL APPLICATION - 90° DOOR OPENING (TOP VIEW)

The full-scale illustration shows what considerations you need to make for overlay panel applications and how they may interact with adjacent cabinets and countertops.

NOMINAL OVERALL WIDTH OF SUB-ZERO

SUB-ZERO UNIT

23<sup>7</sup>/<sub>8</sub>" (606) TO REAR OF SUB-ZERO

MAIN FRAME

DOOR CLOSED

- 0" (0)
- 1/4" (6)
- 1/2" (13)
- 3/4" (19)
- 1" (25)
- 1 1/4" (32)
- 1 1/2" (38)
- 1 3/4" (44)
- 2" (51)
- 2 1/4" (57)
- 2 1/2" (63)
- 2 3/4" (70)
- 3" (76)
- 3 1/4" (83)
- 3 1/2" (89)

HINGE

DOOR OPEN @ 90°

- 1 1/4" (32) PANEL
- 1" (25) PANEL
- 3/4" (19) PANEL
- 1/2" (13) PANEL
- \*1/4" (6) PANEL

OVERLAY PANEL  
3/4" (19) THICK (NOMINAL)

Dimensions in parentheses are in millimeters unless otherwise specified.

\*Approximate thickness of wrapped stainless steel door.

**MODEL 430 – FRAMED PANELS**

You cannot use a 1/4" (6) panel to cover the glass door of a framed Model 430. It is fine when applying a panel to the solid door, but in either instance, you should consider using raised panels with a minimum 5/8" (16) thickness.

When using a raised framed panel, you must allow for the edge to be routed 1/4" (6) around the panel to ensure a proper fit. Refer to illustration 1.

With the framed Model 430, you will receive an extruded handle identical in appearance to the Built-In models. However, it will be an extended handle and will enable you to use raised panels without providing finger clearance to open the door.

**IMPORTANT NOTE:** Wine Storage models with a solid door are available as a special order and require 90 days for delivery. When ordering panels for a solid door unit, follow the overall panel dimensions indicated; rail and stile dimensions do not apply.

**▲ CAUTION**

**A solid panel must not be installed on a glass door unit, as this may cause moisture to form behind the panel.**

**MODEL 430 – OVERLAY PANELS**

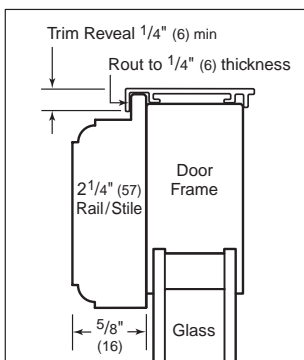
Your overlay model will be shipped without handle hardware and with an 11" (279) overlay panel grille as standard equipment. You will need to order a panel for the grille and hardware to complement your surrounding cabinetry.

While the overlay panel design offers you a more seamless appearance, you need to be aware of adjacent cabinets and/or countertops when the door is opened. Refer to the full-scale illustrations at the end of the Built-In section.

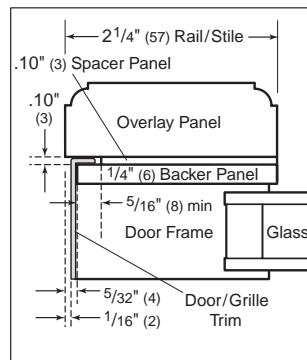
To achieve the overlay look, you need three different panels—the decorative overlay panel, a 0.10" (3) spacer panel and a 1/4" (6) backer panel. Depending on your cabinet manufacturer, this could be one panel routed for different dimensions or more likely, three different panels. Refer to the Overlay Panel Specifications for complete details on the overlay sizing. In addition, illustrations 2 and 3 will give you a better idea of the panel construction and how it interacts with our frame.

The glass door opening of the standard Model 430 is designed to be exposed to room air circulation. Decorative overlays on the glass should be kept to a minimum. Also, rails and stiles can be increased in size but should not exceed cabinet manufacturers' standard width. They cannot exceed overall door panel dimensions specified, as they would interfere with the operation of the door.

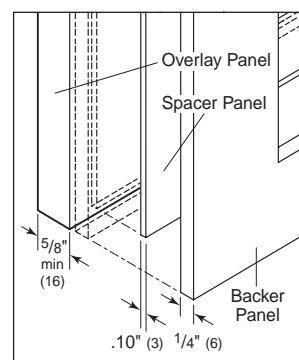
The back sides of rails and stiles that will be visible through the glass door will need to be finished. Also, the inside edges of the frames must be finished to match the front surface.



Illus. 1



Illus. 2



Illus. 3



**MODEL 430 – OVERLAY PANELS**

As with the Sub-Zero Built-In models, you have the flexibility of ordering grilles in a variety of heights for either the framed or overlay application. Optional panel grille dimensions for the framed Model 430 are the same as listed for Built-In Models 611 and 611G on page 21.

Overlay grille panel dimensions for the overlay Model 430, standard 11" (279) grille, are listed below. Refer to page 25 for optional grille height dimensions. The width of the overlay grille, spacer and backer panel will be the same regardless of the height.

In addition, side panel information for a Model 430 is available on page 26 of the Built-In section. Refer to illustration 12 on page 26 for placement of toe kick and grille area cut-outs.

**IMPORTANT NOTE:** Wine Storage models with a solid door are available as a special order and require 90 days for delivery. When ordering panels for a solid door unit, follow the overall panel dimensions indicated; rail and stile dimensions do not apply.

**⚠ CAUTION**  
**A solid panel must not be installed on a glass door unit, as this may cause moisture to form behind the panel.**

INSTALLATION

To install framed or overlay panels, see the detailed procedures outlined in the Sub-Zero Wine Storage Installation Instructions.

CABINETRY DIMENSIONS

*Model 430*



FRAMED PANEL SPECIFICATIONS

*Model 430 – Framed (F)*

Framed Door Panel Width	<b>28<sup>7</sup>/<sub>8</sub>" (714)</b>
Framed Door Panel Height	<b>67<sup>11</sup>/<sub>16</sub>" (1719)</b>
Min Width of Rails and Stiles	<b>2<sup>1</sup>/<sub>4</sub>" (57)</b>
Door Frame Panel Weight Limit	<b>25 lbs (11 kg)</b>
Solid Door Panel Weight Limit	<b>50 lbs (23 kg)</b>
Min Panel Thickness	<b>5/8" (16)</b>

OVERLAY PANEL SPECIFICATIONS

*Model 430 – Overlay (O)*

Overlay Door Panel Width	<b>28<sup>7</sup>/<sub>16</sub>" (722)</b>
Overlay Door Panel Height	<b>68" (1727)</b>
Spacer Panel Width	<b>27<sup>1</sup>/<sub>2</sub>" (699)</b>
Spacer Panel Height	<b>67<sup>1</sup>/<sub>16</sub>" (1073)</b>
Backer Panel Width	<b>28<sup>1</sup>/<sub>8</sub>" (714)</b>
Backer Panel Height	<b>67<sup>11</sup>/<sub>16</sub>" (1719)</b>
Min Width of Rails and Stiles	<b>2<sup>1</sup>/<sub>4</sub>" (57)</b>
Door Frame Panel Weight Limit	<b>25 lbs (11 kg)</b>
Solid Door Panel Weight Limit	<b>50 lbs (23 kg)</b>
Min Panel Thickness	<b>5/8" (16)</b>

GRILLE PANEL SPECIFICATIONS

*Model 430 – Overlay (O)*

Overlay Grille Panel Width	<b>28<sup>7</sup>/<sub>16</sub>" (722)</b>
Overlay Grille Panel Height*	<b>10<sup>1</sup>/<sub>4</sub>" (260)</b>
Spacer Panel Width	<b>27<sup>1</sup>/<sub>2</sub>" (699)</b>
Spacer Panel Height*	<b>9<sup>5</sup>/<sub>16</sub>" (236)</b>
Backer Panel Width	<b>28<sup>1</sup>/<sub>8</sub>" (714)</b>
Backer Panel Height*	<b>9<sup>15</sup>/<sub>16</sub>" (252)</b>
Grille Panel Weight Limit	<b>15 lbs (7 kg)</b>
Min Panel Thickness	<b>5/8" (16)</b>

Dimensions in parentheses are in millimeters unless otherwise specified.

\*Grille panel dimensions are for standard 11" (279) grille. Refer to page 25 for optional grille heights.



### HARDWARE CONSIDERATIONS

With Models 315W and 424 (overlay), Models 427 and 427R (integrated) and the Model 430 (overlay), you must supply your own handle hardware. It is recommended you use our optional handles and use the pre-drilled holes supplied to locate the handles within the frame of our unit. The metal frame on the door has numerous mounting holes on each side to accommodate Sub-Zero accessory handles. This will allow you to provide the best possible handle alignment and not take away from the strength of the stile in this area after the unit is used a number of times. We recommend using a pull handle and not a pull knob.

If you elect to place different hardware on these units, we encourage you to fasten the hardware by passing through our door and attaching the hardware through the Sub-Zero door's frame.

Optional stainless steel handles are available in a variety of diameters and lengths, as are handles to match the color and style of Wolf ovens. Contact your Sub-Zero dealer for specifics.

#### **⚠ CAUTION**

When planning for hardware, refer to the Door Frame Profile full-scale illustration on the following page to give you a better understanding of the unit's frame and positioning of the glass for the door. You must not drill through this glass.

### WINE SHELF WOOD FACING

Sub-Zero has provided a natural cherry wood facing to its wine storage shelves in each model. You can also replace these strips with wood more complementary to your design and surrounding cabinetry.

The Wine Shelf Wood Facing illustration on the following page can be used as a full-scale template. You must follow the layout of this format to accommodate the shelves properly. To remove the cherry strips, take the shelves out and remove the screws. Reverse the procedure to affix the new wood.

If you choose to stain or seal the wood facing, be aware that some of these substances are hazardous and will damage stored wine.

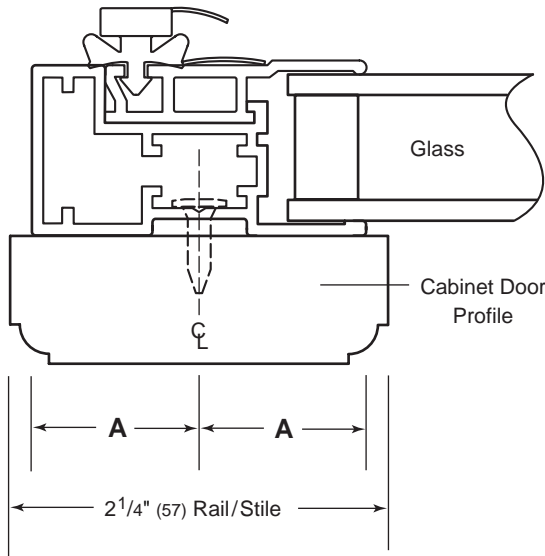
### ACCESSORIES

Optional accessories are available through your Sub-Zero dealer. To obtain local dealer information, visit the Showroom Locator section of our website, [subzero.com](http://subzero.com).

Dimensions in parentheses are in millimeters unless otherwise specified.



DOOR FRAME PROFILE



DOOR FRAME HANDLE OFFSET  
*Wine Storage Models*

Dimension A	
Model 315W	1" (25)
Model 424	1" (25)
Model 427	7/8" (22)
Model 427R	7/8" (22)
Model 430	15/16" (24)

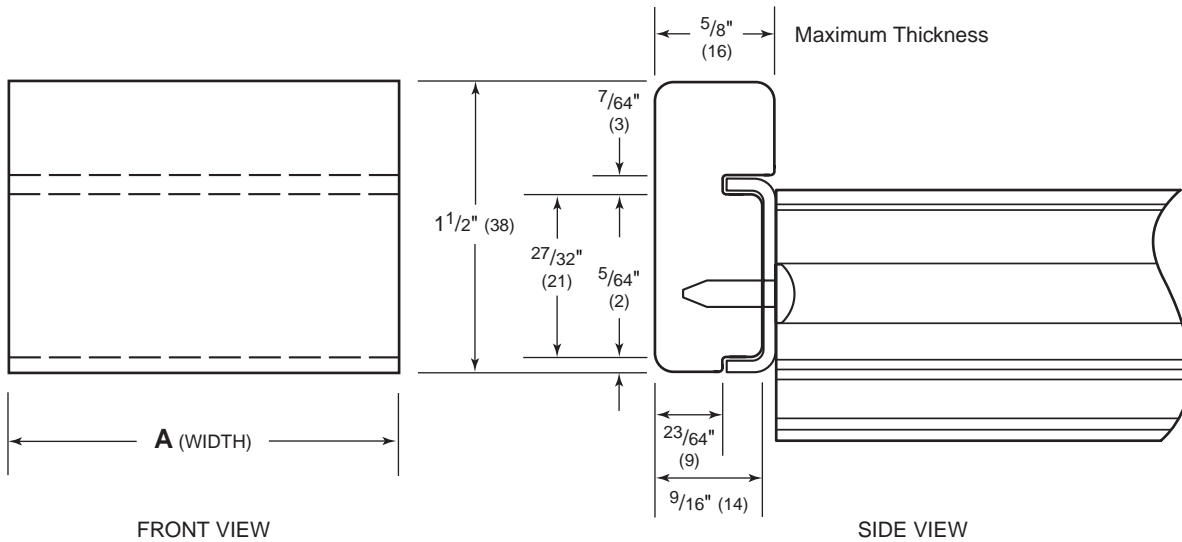
FULL-SCALE TEMPLATES

The full-scale illustrations on the following pages enable you to understand some of the unique situations you may face as you plan for the installation of the Wine Storage units. Use these illustrations as templates.

This full-scale illustration is typical of the Model 424 door frame profile; details of the other Wine Storage door frames will vary slightly.

**IMPORTANT NOTE:** Rails and stiles must be a minimum of 2 1/4" (57) wide (except for the rails of Models 427 and 427R, which must be wide enough to cover the door hinges). The back sides of rails and stiles that will be visible through the glass door will need to be finished.

WINE SHELF WOOD FACING



This full-scale illustration provides the dimensions you will need should you choose to replace the natural cherry wood facing of each wine shelf with wood more complementary to your design and surrounding cabinetry.

**IMPORTANT NOTE:** Dimensions will vary for Model 315W. Additional information can be found in the Specifications pdf file for Model 315W on our website, subzero.com.

WINE SHELF WOOD FACING  
*Wine Storage Models*

Dimension A	
Model 315W*	10 15/16" (278)
Model 424	19 1/2" (495)
Model 424FS	19 1/2" (495)
Model 427	20 15/16" (532)
Model 427R	20 15/16" (532)
Model 430	24 9/16" (624)

\*Dimensions will vary for Model 315W.



MODEL 424 - DOOR CLOSED AND 145° MAX OPENING

