

Outdoor Products Design Guide



SUB-ZERO

WOLF



Contents

Outdoor Refrigerator 5

Outdoor Ice Machine 8

Outdoor Warming Drawer 12

Outdoor Gas Grills 16

Outdoor Modules 21

Outdoor Accessories 24

Outdoor Warranties 26

Features and specifications are subject to change at any time without notice. Visit wolfappliance.com/specs for the most up-to-date information.

IMPORTANT NOTE: Throughout this guide, dimensions in parentheses are millimeters unless otherwise specified.

Outdoor Products. The sounds and aromas of grilling food mingle with the laughter of family and friends, the chiming of ice in tall glasses, and a fresh breeze off the water. Moments that crystallize into cherished memories. Moments worth savoring. With an outdoor kitchen by Sub-Zero and Wolf, such moments can become everyday events.

Expand the life of your home, and the horizons of outdoor living, with an outdoor kitchen by Sub-Zero and Wolf, the brands that define performance, design, and worry-free ownership in the kitchen—indoors or out. Sub-Zero, the food preservation specialist and Wolf, the cooking specialist, are built in the USA with eco-friendly materials and methods. Family-owned for decades, these corporate companions and kitchen soul mates bring uncompromising performance and craftsmanship to your outdoor kitchen.

Sub-Zero, a must for the outdoor kitchen. Bring the standard-setting design and worry-free performance of Sub-Zero to your outdoor kitchen. Sub-Zero outdoor products are engineered for temperatures up to 110°F and clad in heavy-gauge stainless steel that withstands UV rays, salt, and moisture—elements that would corrode lesser materials.

Achieve delicious results with ease. With Wolf you can. Like its indoor counterparts—Wolf ranges, ovens, and cooktops a Wolf outdoor gas grill marries virtuoso performance with exceptional simplicity of use. Wolf specializes in cooking and only cooking. Born in the professional kitchen and refined through more than seven decades of demanding commercial and residential use, Wolf is your able, amiable partner in the kitchen, helping you cook with the one ingredient every cook needs: confidence.



OUTDOOR GRILL, BURNER MODULE, WARMING DRAWER AND ICE MACHINE

OUTDOOR PRODUCTS

- Sub-Zero outdoor undercounter refrigerator.
- Sub-Zero outdoor undercounter ice machine.
- Wolf outdoor warming drawer.
- Wolf outdoor gas grills (built-in and portable cart applications).
- Wolf outdoor burner module (built-in and portable cart application).
- Wolf outdoor accessory doors and drawers.



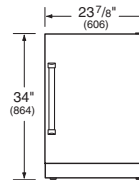
MODELS OG36 OUTDOOR GRILL, WWD300 WARMING DRAWER, UC-24RO REFRIGERATOR AND UC-15I(P)O ICE MACHINE

Outdoor Refrigerator. Sub-Zero undercounter units simplify life at home by bringing refrigeration anywhere it's needed—chilled mineral water, soda and side dishes outside in your outdoor kitchen. The Sub-Zero outdoor refrigerator in stainless steel has a fully insulated cabinet to preserve food and minimize energy use, whatever the weather. This all refrigerator model comes with a stainless steel door and pro handle to match Wolf outdoor grills. It features a clear utility bin, two liter bottle storage in the door and comes standard with a UL approved lock. Outdoor model UC-24RO is ENERGY STAR® qualified.



MODEL UC-24RO OUTDOOR REFRIGERATOR

OUTDOOR REFRIGERATOR



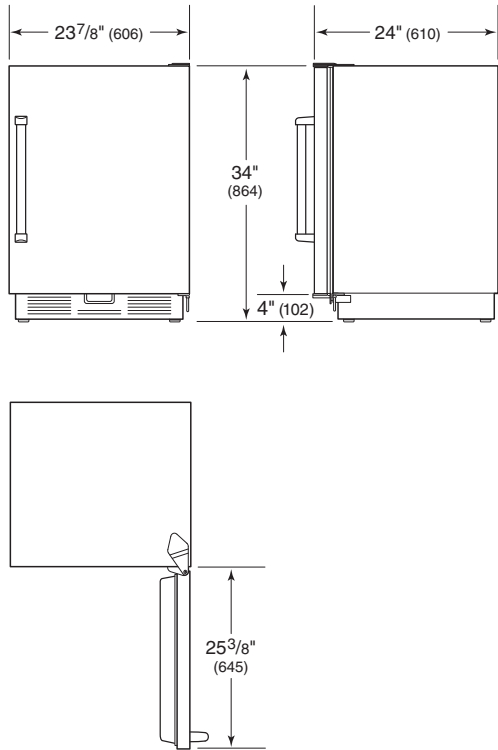
UC-24RO
ALL REFRIGERATOR

KEY FEATURES

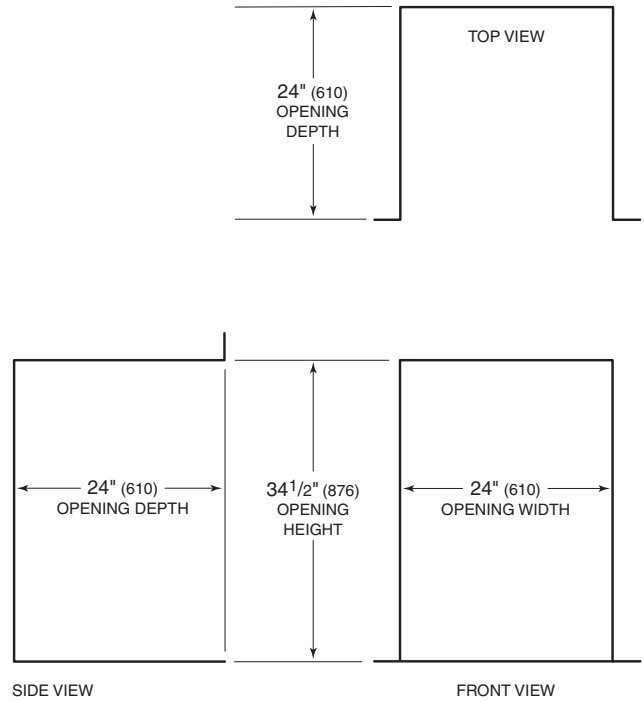
- UL approved for outdoor use from 50°F (10°C) to 110°F (45°C).
- Stainless steel door with pro handle to match Wolf outdoor grills.
- Adjustable, spill-proof glass shelves and clear utility bin for storage of smaller items.
- Door shelves with two-liter bottle storage.
- UL approved door lock.
- ENERGY STAR® qualified and Star-K certified.

Outdoor Refrigerator

OVERALL DIMENSIONS



OPENING DIMENSIONS



MODEL UC-24RO

MODEL UC-24RO

SPECIFICATIONS

Model UC-24RO	
Interior Capacity	5.7 cu ft (161 L)
Shipping Weight	130 lbs (59 kg)

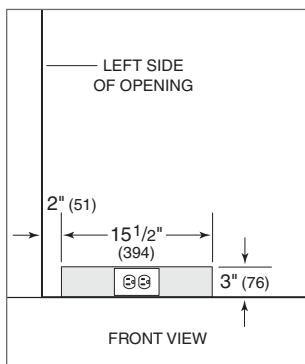
Outdoor Refrigerator

ELECTRICAL REQUIREMENTS

For the outdoor refrigerator, locate the electrical supply within the shaded area shown in the illustration below. Follow the National Electrical Code and local codes and ordinances when installing the receptacle. A separate circuit, servicing only this appliance, is required.

IMPORTANT NOTE: Model UC-24RO is designed and safe for use in outdoor applications. When installed outdoors, a ground fault circuit interrupter (GFCI) is required to reduce the risk of electrical shock.

Electrical Requirements	
Power Supply	115 V AC, 60 Hz
Circuit Breaker	15 amp
Receptacle	3-prong grounding-type



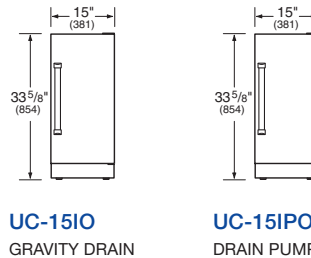
Location of electrical supply.

Outdoor Ice Machine. The outdoor ice machine's heavily insulated solid-core door with door closer and gasket keeps your ice fresh and deeply chilled even in extreme heat. The large-capacity ice bin keeps up to 26 pounds of ice at the ready. The unit can make up to 50 pounds of crystal clear ice per day, so you know your party will never run short. Model UC-15I(P)O is available with or without a drain pump. You can order a stainless steel panel with pro handle to match the outdoor refrigerator and Wolf outdoor grills.



MODEL UC-15I(P)O OUTDOOR ICE MACHINE

OUTDOOR ICE MACHINE

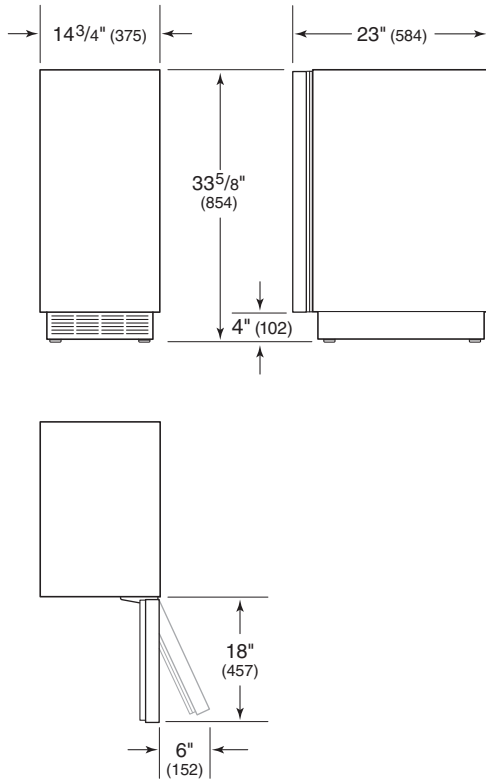


KEY FEATURES

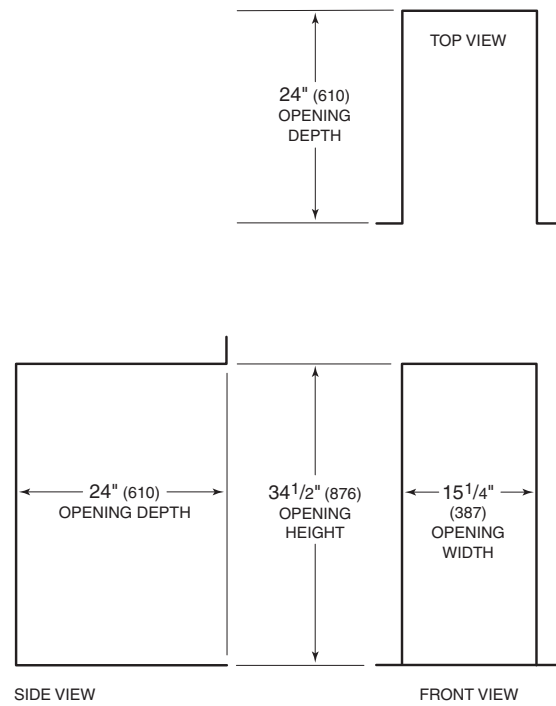
- UL approved for outdoor use from 50°F (10°C) to 110°F (45°C).
- Stainless steel door with pro handle available to match Wolf outdoor grills.
- Produces up to 50 lbs of octagonal-shaped ice per day with large-capacity storage.
- Advanced water filtration system.
- Bin light.
- Ice scoop fits neatly in door.
- Gravity drain (UC-15IO) or drain pump (UC-15IPO) drains to adjacent sink.
- Star-K certified.

Outdoor Ice Machine

OVERALL DIMENSIONS



OPENING DIMENSIONS



MODEL UC-15I(P)O

Overall dimensions do not include panel or handle.

MODEL UC-15I(P)O

SPECIFICATIONS

Model UC-15I(P)O	
Ice Storage Capacity	26 lbs (12 kg)
Shipping Weight	100 lbs (45 kg)

Outdoor Ice Machine

ELECTRICAL REQUIREMENTS

For the outdoor ice machine, it is recommended that the electrical supply be placed in an adjacent cabinet. Follow the National Electrical Code and local codes and ordinances when installing the receptacle. A separate circuit, servicing only this appliance, is required.

IMPORTANT NOTE: Model UC-15I(P)O is designed and safe for use in outdoor applications. When installed outdoors, a ground fault circuit interrupter (GFCI) is required to reduce the risk of electrical shock.

Electrical Requirements	
Power Supply	115 V AC, 60 Hz
Circuit Breaker	15 amp
Receptacle	3-prong grounding-type

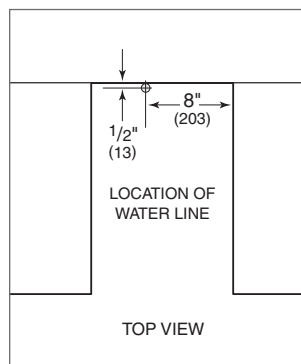
PLUMBING REQUIREMENTS

For the outdoor ice machine, the water supply line should be located within the shaded area shown in the illustrations below. The water supply line should be connected to the house supply with an easily accessible shut-off valve between the supply and the unit. Do not use self-piercing valves. A saddle valve kit is available through your authorized Sub-Zero dealer.

The ice maker operates on constant water pressure between 20 psi (1.4 bar) and 100 psi (6.9 bar).

IMPORTANT NOTE: In some cases, a reverse osmosis water filter system may not be able to maintain the minimum pressure consistently.

Plumbing Requirements	
Water Supply Line	1/4" OD copper line
Water Pressure	20–100 psi (1.4–6.9 bar)
Excess Water Line for Connection	26" (660) min



Outdoor ice machine.

Outdoor Ice Machine

GRAVITY DRAIN

The outdoor ice machine can be ordered with or without a drain pump. Model UC-15IO, without a drain pump, will drain water from the unit by gravity. A drain must be installed.

The drain and inlet water tubes must be plumbed before connecting to the ice machine. For the gravity drain, all horizontal runs of drain lines must have a 1/4" (6) per 12" (305) fall. An air gap will likely be required between the unit and drain receptacle. A stand pipe with a trap below it would be acceptable for the drain receptacle.

IMPORTANT NOTE: Poor drainage will cause excessive ice melting in the ice bin.

ACCESSORIES

These optional accessories are available through your authorized Sub-Zero dealer. For local dealer information, visit the find a showroom section of our website, subzero.com.

- Stainless steel front panel with pro handle.
- Stainless steel pro handle to match the style of Wolf outdoor grills. Refer to the chart below.
- UL approved door lock.

Standard Handle	
PRO HANDLE	
Handle Length	21" (533)
Stud Spacing	19 ³ / ₄ " (502)

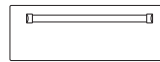
Outdoor Warming Drawer. With the Wolf warming drawer, dishes you finish at different times stay warm, moist, and ready to serve on your schedule. Model WWD300, approved for outdoor installations, is ideal for any outdoor kitchen. Electronic touch controls are located on the inside of the drawer. Stainless steel drawer fronts with pro handle to match the look of outdoor gas grills, are available in 30- and 36-inch widths.



MODEL WWD300 WARMING DRAWER WITH STAINLESS STEEL DRAWER FRONT

DRAWER FRONT OPTIONS

STAINLESS STEEL



1" (25) THICK
30" (762) WIDE



2" (51) THICK
30" (762) WIDE



2" (51) THICK
36" (914) WIDE

KEY FEATURES

- Model WWD300 is CSA approved for outdoor applications.
- 850-watt heating element with temperature control range of 80°F (25°C) to 200°F (95°C).
- Spacious 1.5 cu ft (42 L) interior capacity.
- Preset, four-hour automatic shutoff.
- Hidden electronic touch controls for sleek appearance.
- Ball-bearing drawer glides for smooth, full extension.
- UL approved for warming towels.
- Accessory six-piece container set available.

Outdoor Warming Drawer

DRAWER FRONT OPTIONS

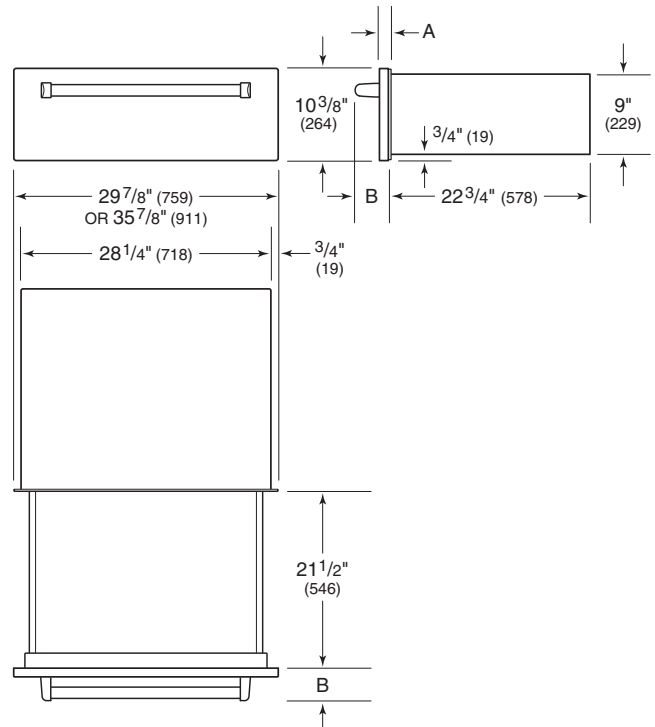
Wolf stainless steel drawer fronts allow for several design options, but the warming drawer itself will be the same for all applications.

Stainless steel drawer fronts have a pro handle and are available 1" (25) or 2" (51) thick. The 2" (51) thick drawer front, in 30" (762) and 36" (914) widths, is designed to be installed below an outdoor gas grill, so the panel aligns properly with the front of the grill.

Keep in mind, overall dimensions for the warming drawer remain the same, even though the drawer front may be wider to match a Wolf 36" (914) wide outdoor grill.

Model WWD300				
Interior Capacity				1.6 cu ft (45 L)
DIMENSIONS				
	W	H	D	
Drawer Interior	25" (635)	6" (152)	18" (943)	

OVERALL DIMENSIONS



Dimensions may vary $\pm 1/8$ " (3).

Stainless Steel Drawer Front			
DIMENSIONS			
		A	B
1" (25) Thick Drawer Front		1 1/8" (29)	3 1/2" (89)
2" (51) Thick Drawer Front		2 1/8" (54)	4 1/2" (114)

Outdoor Warming Drawer

PLANNING INFORMATION

The outdoor warming drawer must be installed with a Wolf stainless steel drawer front, available through your authorized Wolf dealer. For local dealer information, visit the find a showroom section of our website, wolfappliance.com. Specific installation instructions are included with the drawer front.

For all installations, the warming drawer must be fully enclosed, top and bottom.

The outdoor warming drawer platform must be able to support 200 lbs (91 kg). The platform must be a minimum of 1" (25) above the toe kick to allow for the warming drawer trim which overlaps 5/8" (16) on all four sides.

The outdoor warming drawer with stainless steel drawer front can be installed in a standard, recessed or flush inset application. For a standard installation, the drawer collar and front panel sit proud of the front surface of the enclosure. A recessed installation requires the enclosure be recessed by 3/16" (5) so the collar is flush with the front surface of the enclosure but the drawer front will sit proud. A flush inset installation requires the drawer collar and front panel be recessed to be flush with the front surface of the enclosure. Refer to illustration for your specific installation on the following page.

ELECTRICAL REQUIREMENTS

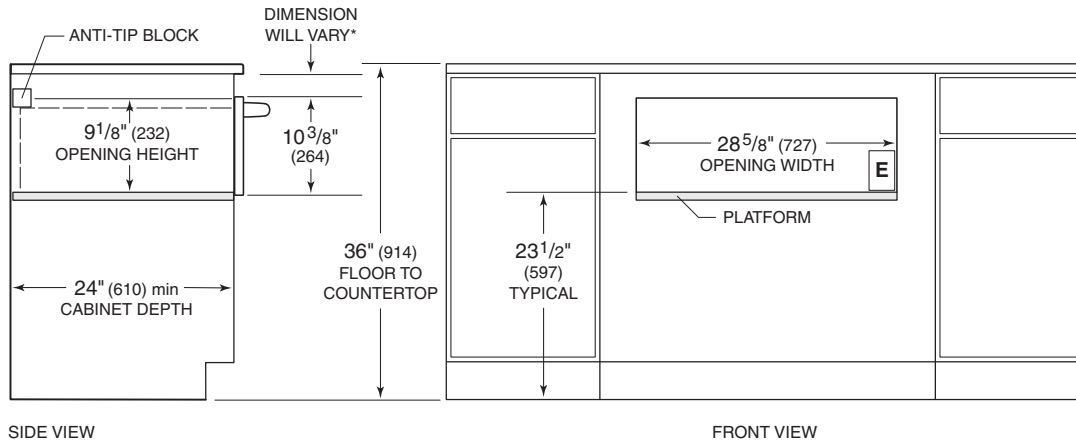
For the outdoor warming drawer, locate the electrical supply for your specific installation as shown in the illustrations on the following page. A grounded 3-prong receptacle should be located within reach of the power cord and flush with the back wall. Follow the National Electrical Code and local codes and ordinances when installing the receptacle. A separate circuit, servicing only this appliance, is required.

IMPORTANT NOTE: Model WWD300 is designed and safe for use in outdoor applications. When installed outdoors, a ground fault circuit interrupter (GFCI) is required to reduce the risk of electrical shock.

Electrical Requirements	
Power Supply	120 V AC, 60 Hz
Circuit Breaker	15 or 20 amp
Receptacle	3-prong grounding-type

Outdoor Warming Drawer

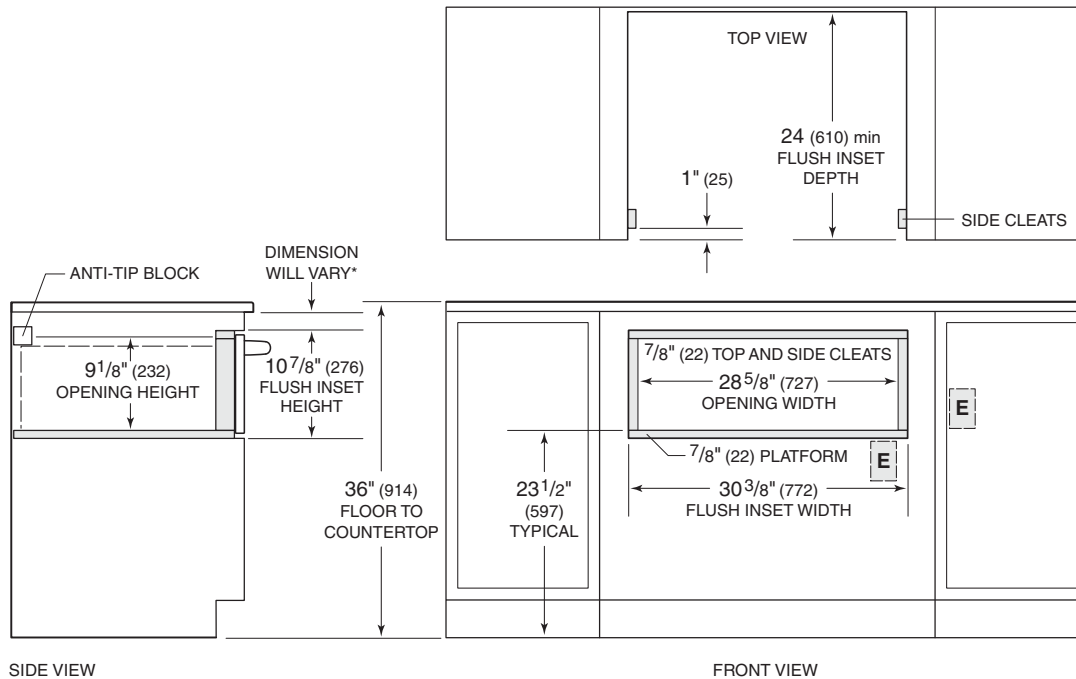
STANDARD INSTALLATION



*Dimension must accommodate height of anti-tip block and drawer face overlap.

NOTE: Location of electrical supply within opening may require additional cabinet depth. Dashed line represents profile of unit.

FLUSH INSET INSTALLATION



*Dimension must accommodate height of anti-tip block and drawer face overlap.

NOTE: Dimensions provided allow for $\frac{1}{4}"$ (6) reveal for proper air flow. Location of electrical supply within opening may require additional cabinet depth. Dashed line represents profile of unit.



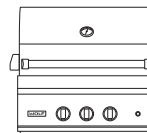
MODELS OG36 OUTDOOR GAS GRILL AND CART36 GRILL CART

Outdoor Gas Grills. Taste what happens when a heritage of professional cooking moves from the kitchen to the patio. Like their indoor counterparts, Wolf outdoor grills are precision instruments. Wolf outdoor gas grills use two types of heat, direct and radiant, to achieve the ideal temperature range and uniform heat distribution that are the keys to flawless grilling. An electric rotisserie with infrared burner produces succulent poultry and roasts. All models can be built in and all except the 54-inch grill, can be used on a cart for portable convenience. Every outdoor grill is sculpted in double-wall stainless steel and precision welded so it will not rust or hold water. Wolf outdoor grills can be ordered in natural or LP gas.

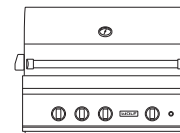


MODEL OG54 OUTDOOR GAS GRILL

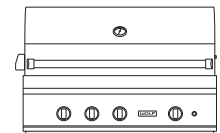
OUTDOOR GAS GRILLS



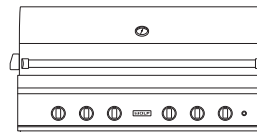
OG30
30" (762) GRILL



OG36
36" (914) GRILL



OG42
42" (1067) GRILL



OG54
54" (1372) GRILL

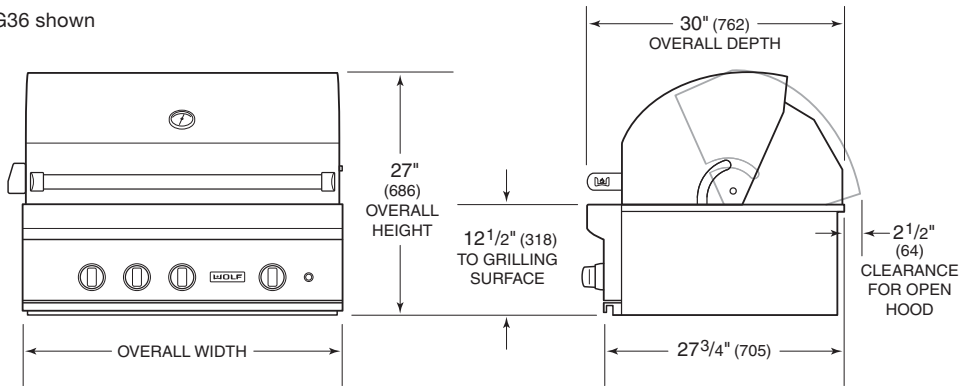
KEY FEATURES

- Stainless steel burner grates provide more heat contact to food for even grilling.
- Sear zone (excluding OG30): 25,000 Btu direct heat sears meats faster and deeper to seal in juices (25,500 Btu for OG54).
- Each 25,000 Btu burner is individually contained to control heat independently (25,500 Btu for OG54).
- Two-position rotisserie maintains proper distance from the infrared burner.
- Three-position warming rack conveniently stows away when not in use.
- Signature red or black control knobs with infinite control.
- Halogen lights illuminate the grilling surface and control knobs are LED lit for night grilling.

Outdoor Gas Grills

OVERALL DIMENSIONS

Model OG36 shown



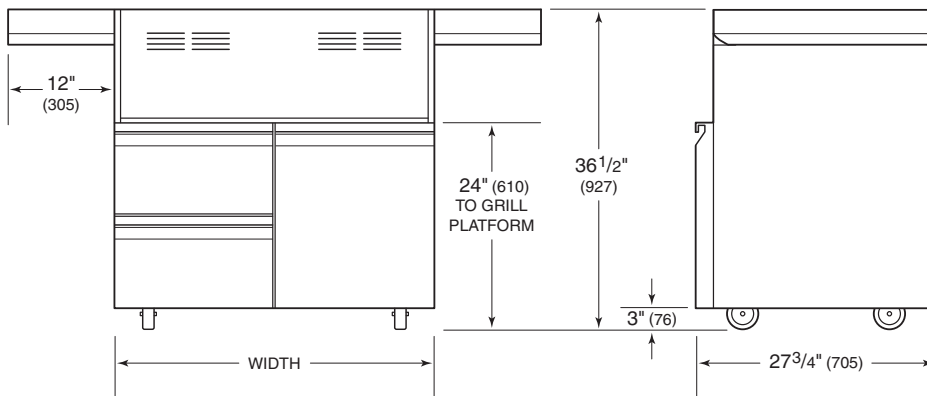
Outdoor Gas Grill

OVERALL WIDTH	W
Model OG30	30" (762)
Model OG36	36" (914)
Model OG42	42" (1067)
Model OG54	54" (1372)

Outdoor Grill Carts

OVERALL DIMENSIONS

Model CART36 shown



MAX DOOR/DRAWER CLEARANCE 22" (559).

Outdoor Grill Cart

OVERALL WIDTH	W
Model CART30	30" (762)
Model CART36	36" (914)
Model CART42	42" (1067)

Outdoor Gas Grills

PLANNING INFORMATION

For portable applications, Wolf grill carts are designed specifically to fit grill models OG30, OG36 and OG42. Model OG54 is designed for built-in applications only.

Wolf outdoor grills are designed for easy placement into a built-in enclosure. For outdoor grills, installation in a combustible enclosure requires an insulating liner. The enclosure should be built according to specifications for your specific installation on the following page. If the burner module is installed next to an outdoor grill, a minimum of 2" (51) is required between units if it is placed to the right of the grill, and 12" (305) if placed to the left.

Optional stainless steel accessory doors and drawers are available for built-in applications. Refer to pages 20–21. Also refer to installation specifications on the following page for opening dimensions.

Grill carts, insulating liners, accessory doors and drawers are available through your authorized Wolf dealer. For local dealer information, visit the find a showroom section of our website, wolfappliance.com.

Burner Rating	
GRILL BURNERS	BTU (KW)
OG30, OG36 and OG42	25,000 (7.3)
OG54	25,500 (7.5)
SEAR ZONE	BTU (KW)
OG36, OG42 and OG54	25,000 (7.3)
OG54	25,500 (7.5)
ROTISSERIE BURNER	BTU (KW)
OG30	14,000 (4.1)
OG36 and OG42	16,000 (4.7)
OG54	(2) 14,000 (4.1)

ELECTRICAL REQUIREMENTS

Wolf outdoor gas grills require an electrical supply with GFCI protection to operate the rotisserie motor. To protect against shock hazard, a grounded 3-prong receptacle should be located within reach of the 6' (1.8 m) power cord. Follow the National Electrical Code and local codes and ordinances when installing the receptacle. A separate circuit, servicing only this appliance, is required.

Electrical Requirements	
Power Supply	120 V AC, 60 Hz
Circuit Breaker	15 amp
Receptacle	3-prong grounding-type

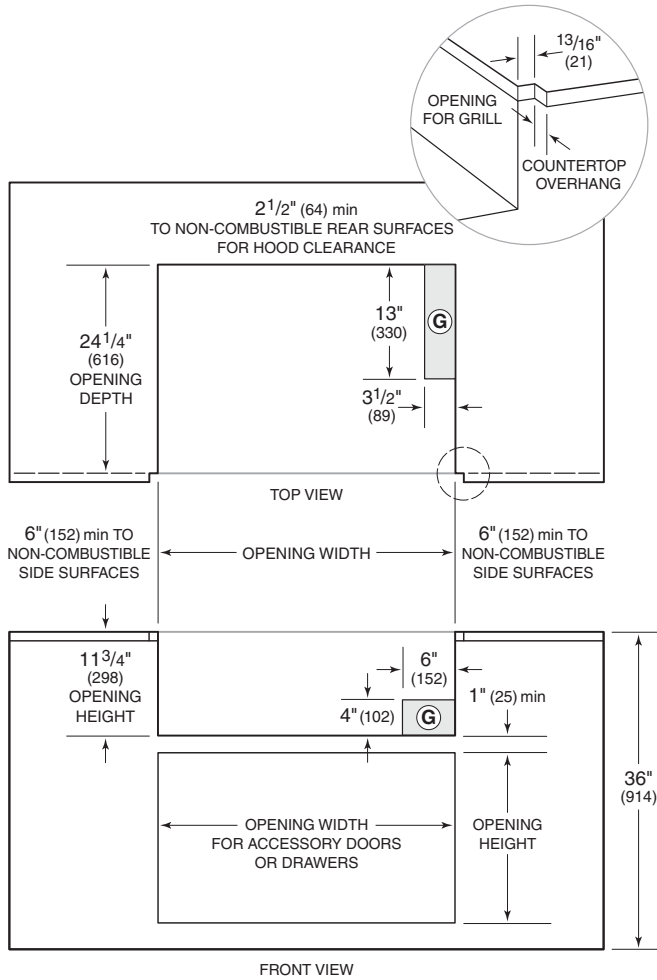
GAS SUPPLY REQUIREMENTS

A gas supply line of 3/4" (19) rigid pipe must be provided to the outdoor grill. If local codes permit, a certified, 3' (.9 m) 1/2" (13) or 3/4" (19) ID flexible metal appliance connector is recommended to connect the grill to the gas supply line.

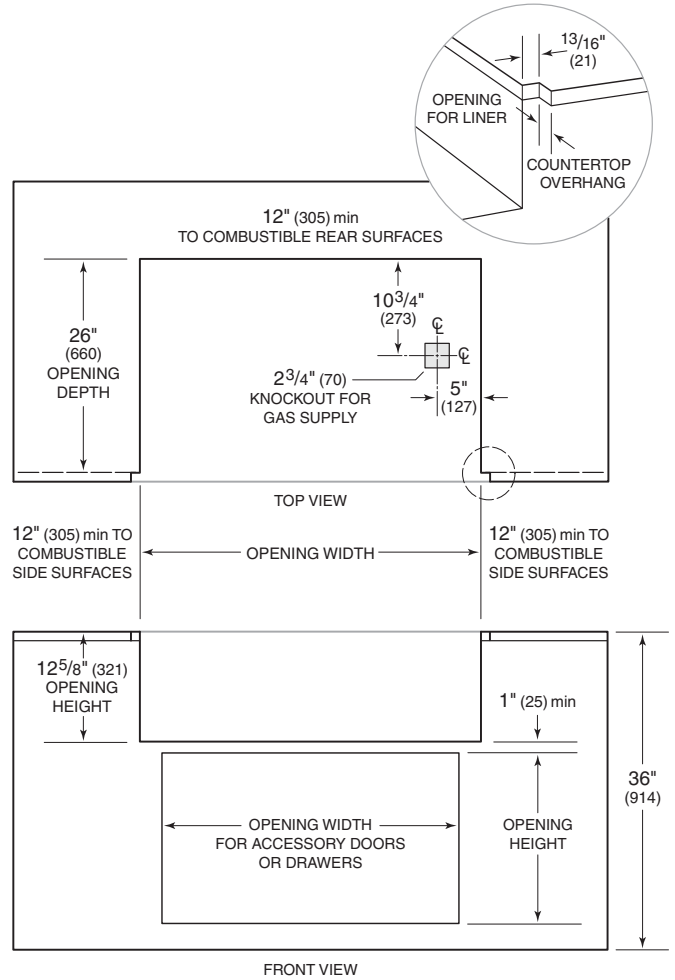
Wolf outdoor gas grills are designed to operate on natural gas at 5" (12.5 mb) WC pressure or LP gas at 10" (25 mb) WC pressure. The minimum line pressure is 7" (17.5 mb) WC for natural gas and 11" (27.4 mb) WC for LP gas. The maximum gas supply pressure to the regulator should never exceed 14" (34.9 mb) WC, .5 psi (3.5 kPa).

Outdoor Grill Installation

NON-COMBUSTIBLE ENCLOSURE



COMBUSTIBLE ENCLOSURE WITH LINER



Grill Opening Width

NON-COMBUSTIBLE ENCLOSURE		W
Model OG30		28 1/2" (724)
Model OG36		34 1/2" (876)
Model OG42		40 1/2" (1029)
Model OG54		52 1/2" (1334)
COMBUSTIBLE ENCLOSURE		W
Model OG30		33 1/2" (851)
Model OG36		39 1/2" (1003)
Model OG42		45 1/2" (1156)
Model OG54		57 1/2" (1461)

Optional Opening

ACCESSORY DOORS	W	H
18" (457) Single	16 1/4" (413)	19" (483)
30" (762) Double	28 1/4" (718)	19" (483)
36" (914) Double	34 1/4" (870)	19" (483)
42" (1067) Double	40 1/4" (1022)	19" (483)
54" (1372) Double	52 1/4" (1327)	19" (483)
ACCESSORY DRAWERS	W	H
30" (762) Single	27 1/4" (692)	9 3/4" (248)
13" (330) Double	12 1/8" (308)	19" (483)
13" (330) Triple	12 1/8" (308)	19" (483)
30" (762) Double with Door	29 1/4" (743)	19" (483)

Outdoor Modules. The Wolf burner module lets you prepare side dishes or warm barbecue sauce without having to run inside. Constructed of heavy-duty stainless steel, the 25,000 Btu model BM13 burner module can be built into an outdoor kitchen, and the model SB13 side burner is designed to be attached to a portable grill cart. Wolf outdoor modules can be ordered in natural or LP gas.



MODEL BM13 BURNER MODULE

OUTDOOR MODULES



BM13
BURNER MODULE
BUILT-IN



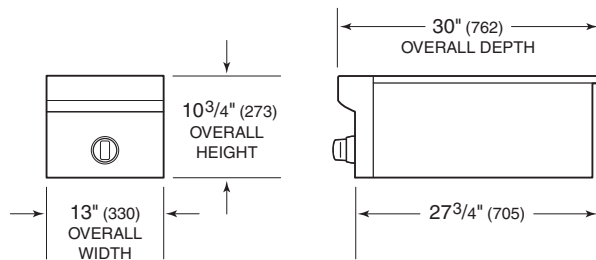
SB13
SIDE BURNER
CART

KEY FEATURES

- Burner module for built-in applications and side burner for portable applications attached to Wolf grill cart.
- Stainless steel burner grates provide more heat contact to food for even grilling.
- Signature red or black control knob with infinite control.
- Halogen lights illuminate the grilling surface and control knobs are LED lit for night grilling.

Outdoor Modules

OVERALL DIMENSIONS



MODELS BM13 AND SB13

PLANNING INFORMATION

For portable applications, Wolf model SB13 side burner is designed specifically to fit Wolf grill carts.

Wolf model BM13 burner module is designed for easy placement into a built-in enclosure. For the burner module, an insulating liner is not required for installation in a combustible enclosure. The enclosure should be built according to specifications on the following page. If the burner module is installed next to an outdoor grill, a minimum of 2" (51) is required between units if it is placed to the right of the grill, and 12" (305) if placed to the left.

ELECTRICAL REQUIREMENTS

Wolf outdoor modules require an electrical supply with GFCI protection. To protection against shock hazard, a grounded 3-prong receptacle should be located within reach of the 6' (1.8 m) power cord. Follow the National Electrical Code and local codes and ordinances when installing the receptacle. A separate circuit, servicing only this appliance, is required.

Electrical Requirements	
Power Supply	120 V AC, 60 Hz
Circuit Breaker	15 amp
Receptacle	3-prong grounding-type

Outdoor Modules

GAS SUPPLY REQUIREMENTS

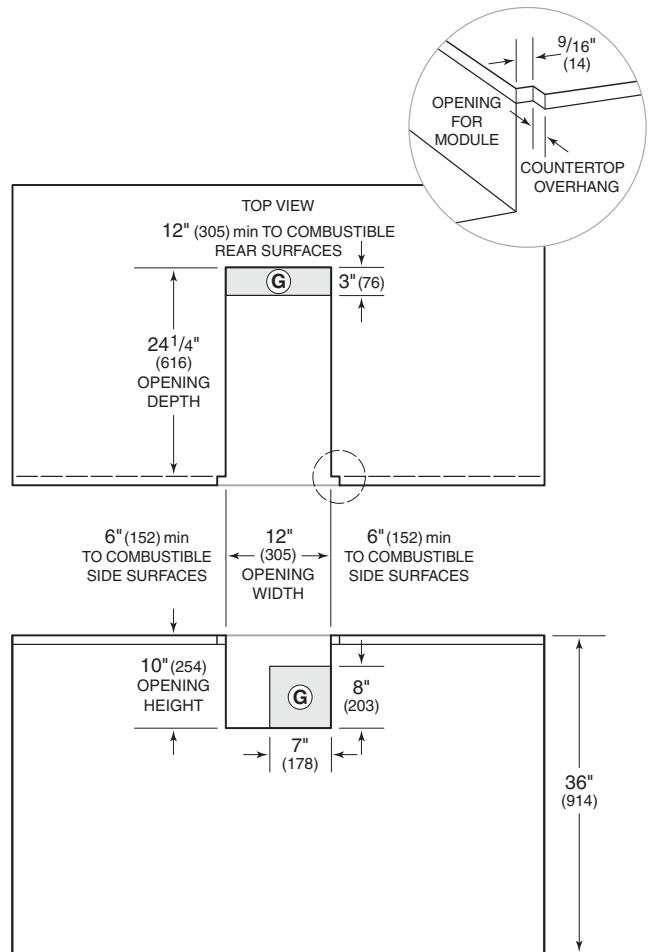
A gas supply line of 3/4" (19) rigid pipe must be provided to the outdoor module. If local codes permit, a certified, 3' (.9 m) long, 1/2" (13) or 3/4" (19) ID flexible metal appliance connector is recommended to connect the module to the gas supply line.

Wolf outdoor modules are designed to operate on natural gas at 5" (12.5 mb) WC pressure or LP gas at 10" (25 mb) WC pressure. The minimum line pressure is 7" (17.5 mb) WC for natural gas and 11" (27.4 mb) WC for LP gas. The maximum gas supply pressure to the regulator should never exceed 14" (34.9 mb) WC, .5 psi (3.5 kPa).

Burner Rating	
OUTDOOR MODULES	BTU (KW)
Model BM13	25,000 (7.3)
Model SB13	25,000 (7.3)

Burner Module Installation

NON-COMBUSTIBLE OR COMBUSTIBLE ENCLOSURE

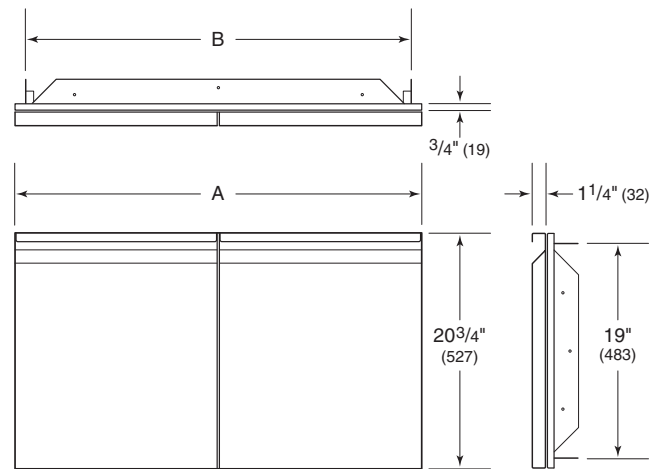


Outdoor Accessories. Accessory doors and drawer units, available in multiple sizes, provide the storage every outdoor kitchen needs. And they won't corrode in the elements. Drawers glide open and shut on a precision ball-bearing system. Constructed of heavy-duty stainless steel, these doors and drawer units are designed to fit perfectly with Wolf outdoor gas grills and burner module.



OUTDOOR ACCESSORY DOORS AND DRAWERS

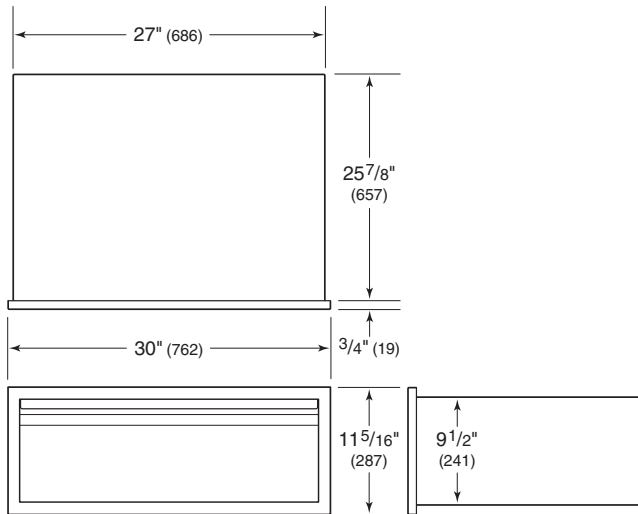
ACCESSORY DOORS



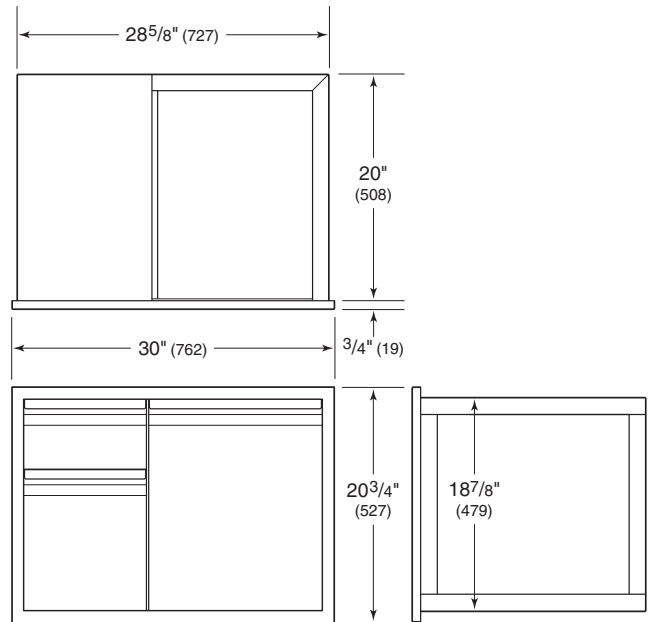
Accessory Doors		
WIDTH	A	B
18" (457) Single Door	18" (475)	16 1/4" (413)
30" (762) Double Doors	30" (762)	28 1/4" (718)
36" (914) Double Doors	36" (914)	34 1/4" (870)
42" (1067) Double Doors	42" (1067)	40 1/4" (1022)
54" (1372) Double Doors	54" (1372)	52 1/4" (1327)

Outdoor Accessories

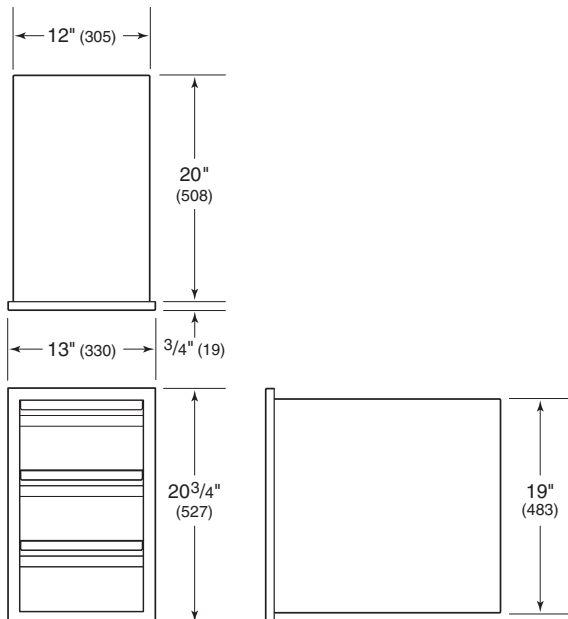
30" (762) ACCESSORY DRAWER



30" (762) DRAWER / DOOR UNIT



13" (330) DRAWERS (2- OR 3-DRAWER UNIT)



The information and images in this guide are the copyright property of Wolf Appliance, Inc. Neither this guide nor any information or images contained herein may be copied or used in whole or in part without the express written permission of Wolf Appliance, Inc. ©Wolf Appliance, Inc. all rights reserved.

Wolf, Wolf & Design, Wolf Gourmet, W & Design and the color red as applied to knobs are registered trademarks and service marks of Wolf Appliance, Inc. Sub-Zero, Sub-Zero & Design, Dual Refrigeration, Constant Care and The Living Kitchen are registered trademarks and service marks of Sub-Zero, Inc. (collectively, the "Company Marks.") All other trademarks or registered trademarks are property of their respective owners in the United States and other countries.

Sub-Zero Outdoor Products Limited Warranty

PRODUCT MUST BE APPROVED FOR OUTDOOR USE, DESIGNATED BY MODEL AND SERIAL NUMBER
FOR RESIDENTIAL USE ONLY

FULL ONE YEAR WARRANTY*

For one year from the date of original installation, your Sub-Zero product warranty covers all parts and labor to repair or replace, under normal residential use, any part of the product that proves to be defective in materials or workmanship. All service provided by Sub-Zero under the above warranty must be performed by Sub-Zero factory certified service, unless otherwise specified by Sub-Zero, Inc. Service will be provided during normal business hours.

FULL FIVE YEAR SEALED SYSTEM WARRANTY

For five years from the date of original installation, your Sub-Zero product warranty covers all parts and labor to repair or replace, under normal residential use, the compressor, condenser, evaporator, drier and all connecting tubing that prove to be defective in materials or workmanship. All service provided by Sub-Zero under the above warranty must be performed by Sub-Zero factory certified service, unless otherwise specified by Sub-Zero, Inc. Service will be provided during normal business hours.

TERMS APPLICABLE TO EACH WARRANTY

The warranty applies only to products installed for normal residential use. The warranty applies only to products installed in any one of the fifty states of the United States, the District of Columbia or the ten provinces of Canada. This warranty does not cover any parts or labor to correct any defect caused by negligence, accident or improper use, maintenance, installation, service or repair.

THE REMEDIES DESCRIBED ABOVE FOR EACH WARRANTY ARE THE ONLY ONES THAT SUB-ZERO, INC. WILL PROVIDE, EITHER UNDER THIS WARRANTY OR UNDER ANY WARRANTY ARISING BY OPERATION OF LAW. SUB-ZERO, INC. WILL NOT BE RESPONSIBLE FOR ANY CONSEQUENTIAL OR INCIDENTAL DAMAGES ARISING FROM THE BREACH OF THIS WARRANTY OR ANY OTHER WARRANTY, WHETHER EXPRESS, IMPLIED OR STATUTORY.

Some states do not allow the exclusion or limitation of incidental or consequential damages, so the above limitation or exclusion may not apply to you. This warranty gives you specific legal rights and you may also have other legal rights that vary from state to state.

To receive parts and/or service and the name of Sub-Zero factory certified service nearest you, contact Sub-Zero, Inc., P.O. Box 44848, Madison, WI 53744; check the contact & support section of our website, subzero.com or call 800-222-7820.

*Stainless steel doors, panels, handles, product frames and interior surfaces are covered by a limited 60-day parts and labor warranty for cosmetic defects.

*Replacement water filters are not covered by the product warranty.



Wolf Appliance Outdoor Products Limited Warranty

PRODUCT MUST BE APPROVED FOR OUTDOOR USE, DESIGNATED BY MODEL AND SERIAL NUMBER
FOR RESIDENTIAL USE ONLY

FULL ONE YEAR WARRANTY*

For one year from the date of original installation, your Wolf Appliance product warranty covers all parts and labor to repair or replace, under normal residential use, any part of the product that proves to be defective in materials or workmanship. All service provided by Wolf Appliance under the above warranty must be performed by Wolf factory certified service, unless otherwise specified by Wolf Appliance, Inc. Service will be provided during normal business hours.

LIMITED FIVE YEAR WARRANTY

Wolf Appliance warrants the stainless steel briquette trays, gas valves, drip pans, electronic control boards and electric heating elements to be free from defects in materials and workmanship under normal residential use for a period of five years from the date of original installation. The part(s) will be repaired or replaced, free of charge, with the owner paying for all other costs including labor. All service provided by Wolf Appliance under the above warranty must be performed by Wolf factory certified service, unless otherwise specified by Wolf Appliance, Inc. Service will be provided during normal business hours.

LIMITED LIFETIME WARRANTY

For the life of the product, Wolf Appliance will repair or replace any stainless steel part including all fabricated stainless steel components, stainless steel burners and grates (excluding what is covered in the Limited Five Year Warranty) to be defective from workmanship and when subjected to normal domestic use and service. This warranty excludes surface corrosion, scratches, discoloration, weather and atmospheric related staining, and minor surface rust and oxidation which are normal conditions. Labor to remove and replace defective parts is not covered. All service provided by Wolf Appliance under the above warranty must be performed by Wolf factory certified service, unless otherwise specified by Wolf Appliance, Inc.

TERMS APPLICABLE TO EACH WARRANTY

The warranty applies only to products installed for normal residential use. The warranty applies only to products installed in any one of the fifty states of the United States, the District of Columbia or the ten provinces of Canada. This warranty does not cover any parts or labor to correct any defect caused by negligence, accident or improper use, maintenance, installation, service or repair.

THE REMEDIES DESCRIBED ABOVE FOR EACH WARRANTY ARE THE ONLY ONES THAT WOLF APPLIANCE, INC. WILL PROVIDE, EITHER UNDER THIS WARRANTY OR UNDER ANY WARRANTY ARISING BY OPERATION OF LAW. WOLF APPLIANCE, INC. WILL NOT BE RESPONSIBLE FOR ANY CONSEQUENTIAL OR INCIDENTAL DAMAGES ARISING FROM THE BREACH OF THIS WARRANTY OR ANY OTHER WARRANTY, WHETHER EXPRESS, IMPLIED OR STATUTORY.

Some states do not allow the exclusion or limitation of incidental or consequential damages, so the above limitation or exclusion may not apply to you. This warranty gives you specific legal rights and you may also have other legal rights that vary from state to state.

To receive parts and/or service and the name of Wolf factory certified service nearest you, contact Wolf Appliance, Inc., P.O. Box 44848, Madison, WI 53744; check the contact & support section of our website, wolfappliance.com or call 800-222-7820.

*Stainless steel doors, panels, handles, product frames and interior surfaces are covered by a limited 60-day parts and labor warranty for cosmetic defects.





WOLF APPLIANCE, INC. P. O. BOX 44848 MADISON, WI 53744 WOLFAPPLIANCE.COM 800.332.9513

ODG

4/2011