



24" Undercounter Wine Storage

Better wine storage conditions for the bottle ultimately means better enjoyment in the glass. Undercounter model 424 has a wine storage capacity of 46 (750 ml) bottles. Two independent storage zones maintain the temperature and humidity that wine – and wine lovers – require. Model 424G is available in overlay and stainless steel design applications.



Model 424G/S/TH shown.

FEATURES

- Overlay and stainless steel design options.
- Undercounter design allows for dual installation with undercounter unit.
- Individual temperature control of two separate compartments.
- Maintains ideal storing and serving temperature for all wines, humidity and UV protection.
- Temperature zones range from 39°F to 65°F.
- Full-view, UV-resistant glass door—high altitude glass available.
- Illuminated touch control panel.
- Discreet interior lighting.
- Wine shelves accommodate 750 ml bottles, half-bottles and magnums.
- Roller-glide wine shelves with natural cherrywood facing have three-quarter extension for easy access.
- Can be connected to home security system.
- Star-K compliant with installation of a harness kit.

MODEL OPTIONS

MODEL OPTIONS	424G/O	424G/S/TH	424G/S/PH
Design/Finish	Overlay	Stainless Steel	Stainless Steel
Handle	*	Tubular	Pro

**Handle not included to allow for design flexibility.*

ACCESSORIES

- Stainless steel tubular and pro handles.
- Door lock.

Accessories are available through your Sub-Zero dealer. For local dealer information, visit the find a showroom section of our website, subzero.com.

ENEMIES OF WINE

Heat – Two independent storage zones can be set in a range of 39°F to 65°F, with one-degree digital accuracy.

Light – UV resistant bronze tinted glass shields wines from harmful rays.

Humidity – Dual evaporators, one for each storage zone, maintain steady, moderate humidity.

Vibration – Sub-Zero's quiet compressor lets wines rest undisturbed. Shelves glide out smoothly, providing access without agitating the wine.

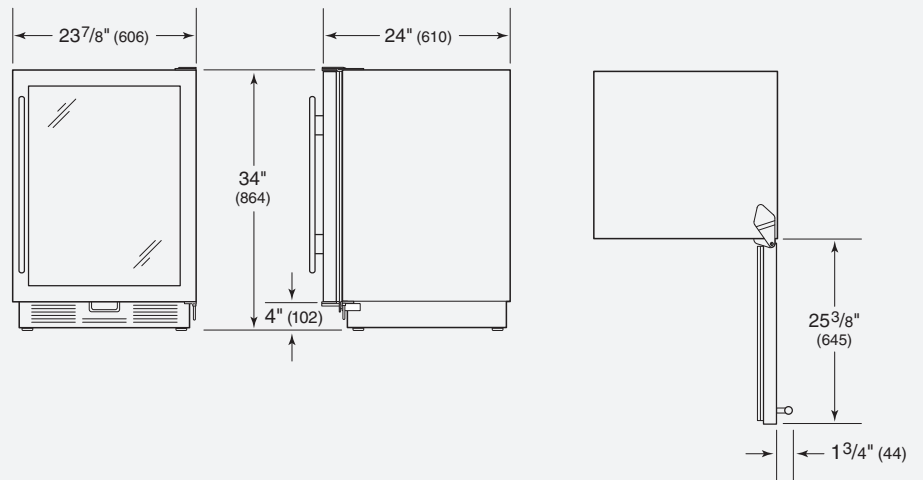
For additional information on the enemies of wine, visit www.subzerowine.com.





24" Undercounter Wine Storage

OVERALL DIMENSIONS



Overall dimensions are based on stainless steel panels and handles.
Unit dimensions may vary by $\pm 1/8$ ".

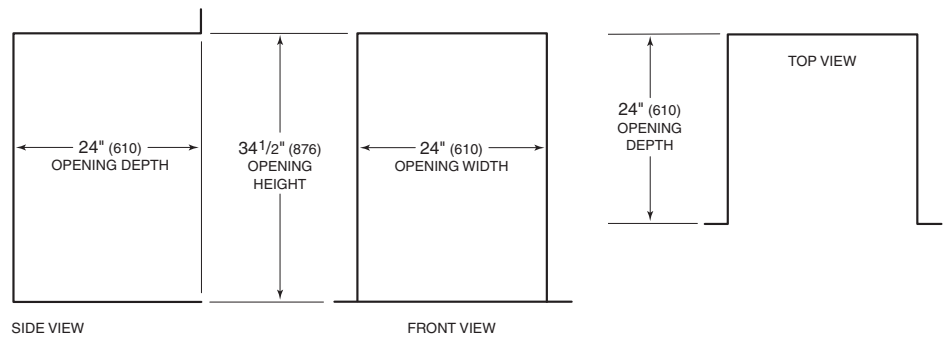
SPECIFICATIONS

Overall Width	23 7/8"
Overall Height	34"
Overall Depth	24"
Door Clearance	25 3/8"
Wine Storage Capacity	46 bottles*
Opening Width	24"
Opening Height	34 1/2"
Opening Depth	24"
Electrical Requirements	115 V AC, 60 Hz 15 amp dedicated circuit
Shipping Weight	195 lbs

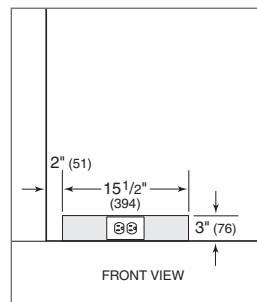
*750 ml bottles.

INSTALLATION SPECIFICATIONS

Opening Dimensions



Location of Electrical Supply



INSTALLATION NOTES

For overlay models, you will be adding a door panel for a custom look. Overlay models also allow you to match surrounding cabinetry hardware.

Complete installation specifications, including panel sizes, can be found on our website, subzero.com/specs.

Dimensions in parentheses are in millimeters unless otherwise specified.