



36" Integrated All Refrigerator—Tall

Integrated refrigeration can be used anywhere in the home. It merges seamlessly into the décor, with no visible hinges or grilles. Model 736TR is a 36" wide tall unit with refrigerator storage in the upper cabinet, and also in the lower drawers with a crisper cover standard in the upper drawer. Two distinct temperature zones ensure the freshest food and energy efficiency. This model is ENERGY STAR® qualified for energy efficiency.



FEATURES

- Custom front panels and hardware allow for infinite design options.
- Point-of-use refrigeration that can be placed anywhere in the home.
- Microprocessor maintains precise control, within 1° of set temperature in each of two temperature zones.
- Easy-access, illuminated touch control panel.
- Bright interior lighting in cabinet and drawers.
- Adjustable spill-proof glass shelves, door shelves and dairy compartment.
- Adjustable deli drawer with shelf for storage of smaller items.
- Removable crisper cover on upper storage drawer.
- Upper storage drawer is deep enough for bottled drinks to stand upright.
- Smooth-glide, full-extension storage drawers.
- Alarm feature will sound an audible beep if door or drawer is left open.
- 90° door stop built into hinge.
- Star-K compliant with harness kit.

MODEL

736TR

Design

Integrated

INTERIOR FEATURES

- **Refrigerator**
 - Dual Refrigeration
 - 2 Temperature Zones
 - 3 Adjustable Glass Shelves
 - 1 Stationary Shelf
 - 2 Storage Drawers
 - Removable Crisper Cover
 - 4 Removable Drawer Dividers
 - Stationary Crisper Drawer
 - 3 Adjustable Door Shelves
 - Adjustable Dairy Compartment
 - Egg Container

ACCESSORIES

- Stainless steel front panels with tubular or pro handles—80" or 84" finished height.
- Stainless steel tubular and pro handles.
- Dual installation kit for installation with column, tall or drawer model.
- Dozen egg container.

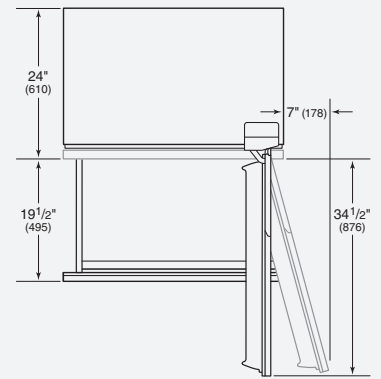
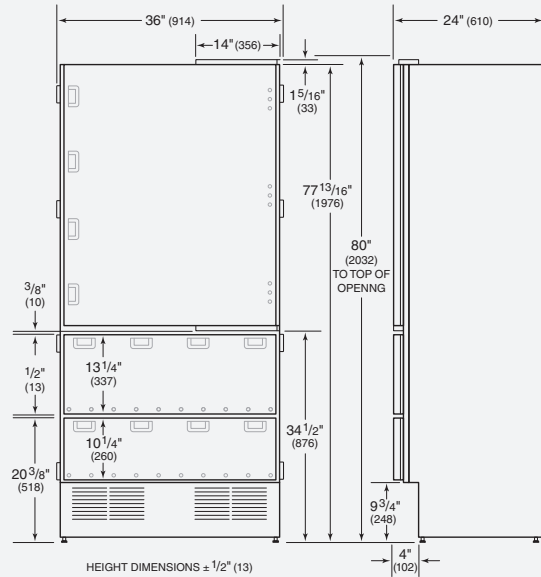
Accessories are available through your Sub-Zero dealer. For local dealer information, visit the find a showroom section of our website, subzero.com.





36" Integrated All Refrigerator—Tall

OVERALL DIMENSIONS



DIMENSIONS WILL VARY WITH PANEL THICKNESS

Unit dimensions may vary by ± 1/8".

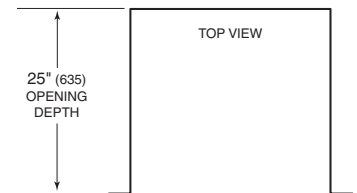
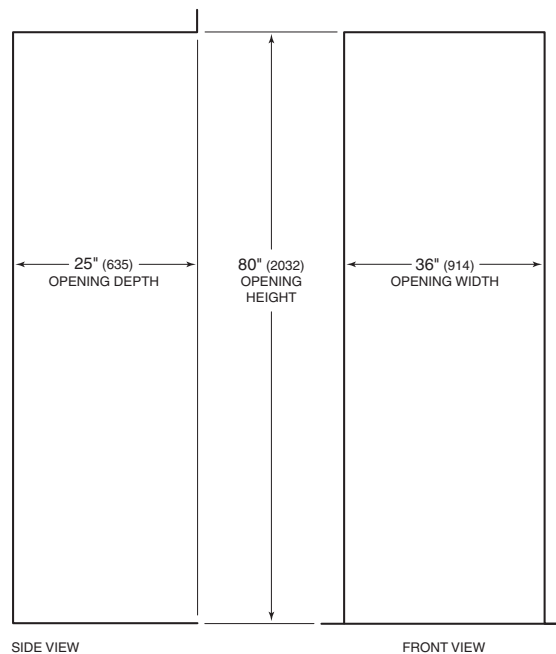
SPECIFICATIONS

Overall Width	36"
Overall Height	80"
Overall Depth	24"
Door Clearance	34 1/2"
Drawer Clearance	19 1/2"
Refrigerator Capacity	20.8 cu ft
Opening Width	36"
Opening Height	80"
Opening Depth	25"*
Electrical Requirements	115 V AC, 60 Hz 15 amp dedicated circuit
Shipping Weight	480 lbs

*Depth is 24" from the front of the unit to its back. Your design may necessitate moving the unit back, or cabinets forward to achieve a flush fit. This will require a minimum opening depth of 25".

INSTALLATION SPECIFICATIONS

Opening Dimensions



Dimensions in parentheses are in millimeters unless otherwise specified.

INSTALLATION NOTES

Stainless steel panels with handles are available as accessories. These panels are not installed at the factory.

Complete installation specifications, including panel sizes, can be found on our website, subzero.com/specs.

Location of Electrical Supply

