



## 36" Built-In All Refrigerator with Glass Door

In a dual installation with all freezer model BI-36F, the all refrigerator model BI-36RG with glass door offers maximum refrigeration capacity with a contemporary look. The new air purification system continuously scrubs odors, bacteria, ethylene gas and contaminants to keep food fresh. Framed, overlay, flush inset and stainless steel design options are available. The flush inset installation option allows the unit to sit flush with surrounding cabinetry.



Model BI-36RG shown in a flush inset installation with model BI-36F.

### FEATURES

- Electronic microprocessor constantly monitors entire unit to ensure proper food storage environment.
- Air purification system reduces odors, bacteria, viruses and ethylene gas.
- Triple-pane, UV-resistant glass door—high altitude glass available.
- Illuminated touch control panel.
- Bright interior lighting throughout, including storage drawer area.
- Adjustable spill-proof glass shelves.
- Soft-close crisper and deli drawers form a lower temperature zone ideal for produce and meats.
- Easy-access flip-up grille.
- Informational freshness cards.

### MODEL OPTIONS

| MODEL OPTIONS | BI-36RG/O           | BI-36RG/S/TH | BI-36RG/S/PH |
|---------------|---------------------|--------------|--------------|
| Design        | Overlay/Flush Inset | Stainless    | Stainless    |
| Grille        | Panel               | Stainless    | Stainless    |
| Handle        | *                   | Tubular      | Pro          |

\*Handle not included to allow for design flexibility.

### INTERIOR FEATURES

- **Refrigerator**  
23.5 cu ft Capacity  
Air Purification System  
4 Adjustable Glass Shelves  
1 Stationary Glass Shelf  
1 High-Humidity Drawer with Dividers  
2 Storage Drawers with Dividers  
Triple-Pane UV-Resistant Glass Door

### ACCESSORIES

- Grilles for 83" or 88" finished height (84" is standard).
- Framed front panel in white or stainless steel.
- Flush inset and dual flush inset panels in stainless steel with tubular or pro handle.
- Dual installation kit with or without dual wide grille, 84" finished height.
- Custom front panel mounting kit.
- Side panel in white or stainless steel.
- Stainless steel kickplate.
- Framed grille insert and full-length handle.
- Stainless steel tubular and pro handles.
- Dozen egg container.
- Replacement air purification cartridge.
- Retrofit kit for 600 series panels.
- 90° door stop.

Accessories are available through your Sub-Zero dealer. For local dealer information, visit the find a showroom section of our website, [subzero.com](http://subzero.com).



Flip-up grille.



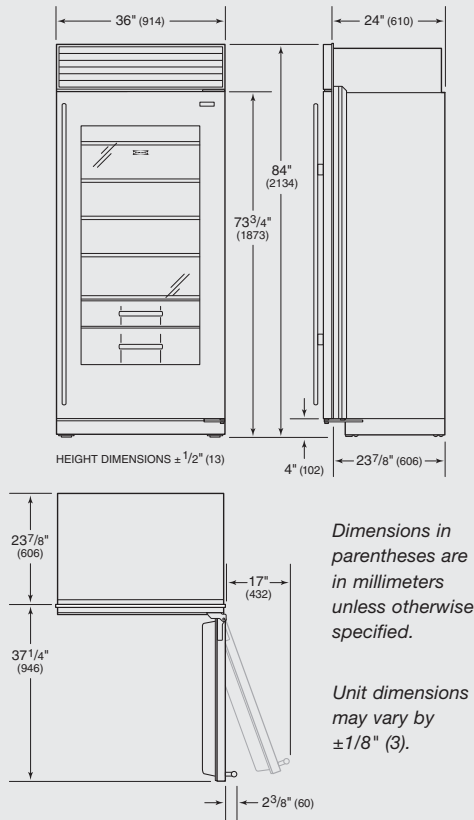
Air purification system.





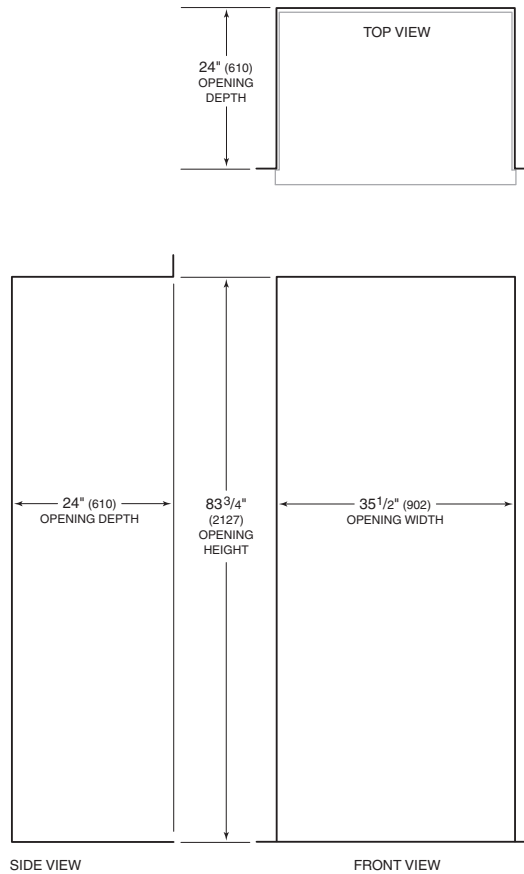
### 36" Built-In All Refrigerator with Glass Door

#### OVERALL DIMENSIONS

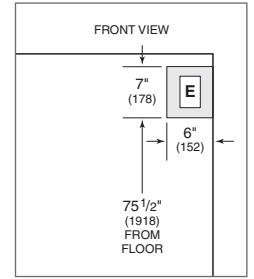


#### INSTALLATION SPECIFICATIONS

##### Standard Installation



##### Location of Electrical Supply



#### SPECIFICATIONS

|                         |   |
|-------------------------|---|
| Overall Dimensions      | 36" W x 84" H x 24" D                   |
| Door Clearance          | Standard 37 1/4"<br>Flush Inset 37 3/4" |
| Opening Width           | 35 1/2"                                 |
| Flush Inset Width       | 38"                                     |
| Opening Height          | 83 3/4"                                 |
| Flush Inset Height      | 84"                                     |
| Opening Depth           | 24"                                     |
| Flush Inset Depth       | 26 3/16"                                |
| Electrical Requirements | 115 V AC, 60 Hz<br>15 amp circuit       |
| Shipping Weight         | 430 lbs                                 |

#### INSTALLATION NOTES

Built-In models may be used in a standard installation or in a flush inset installation which allows the unit to be flush with surrounding cabinetry.

Complete installation specifications, including panel sizes, can be found on our website, [subzero.com/specs](http://subzero.com/specs).

##### Flush Inset Installation

**IMPORTANT NOTE:** Dimensions assume a 3/4" (19) panel thickness.

