



48" Built-In Side-by-Side with Internal Dispenser

Sub-Zero continues to redefine how homeowners use refrigeration in their home. Sub-Zero has reconfigured two of its largest models to provide chilled water AND ice inside the refrigerator – an industry first. Look for them in January, 2012.



Stainless steel model BI-48SID shown with tubular handles.

FEATURES

- Internal ice and water dispenser.
- Dual refrigeration system ensures the freshest food and energy efficiency.
- Electronic microprocessor constantly monitors entire unit to ensure proper food storage environment.
- Air purification system reduces odors, bacteria, viruses and ethylene gas.
- Advanced water filtration system.
- Illuminated touch control panel.
- Bright interior lighting throughout, including storage drawer area.
- Adjustable door shelves, spill-proof glass refrigerator shelves, dairy compartment and wire freezer shelves.
- Soft-close crisper and deli drawers form a lower temperature zone ideal for produce and meats.
- Easy-access flip-up grille.
- Informational freshness cards.
- Max ice feature increases production for a 24-hour period.



Flip-up grille.



Air purification system.

MODEL OPTIONS

MODEL OPTIONS	BI-48SID/O	BI-48SID/S/TH	BI-48SID/S/PH
Design	Overlay/Framed/Flush Inset	Stainless	Stainless
Grille	Panel	Stainless	Stainless
Handle	*	Tubular	Pro

**Handle not included to allow for design flexibility.*

INTERIOR FEATURES

- **Refrigerator**
18.6 cu ft Capacity
Air Purification System
4 Adjustable Glass Shelves
1 Stationary Glass Shelf
1 High-Humidity Drawer with Divider
2 Storage Drawers with Divider
3 Adjustable Door Shelves
2 Stationary Door Shelves
Adjustable Dairy Compartment
- **Freezer**
9.6 cu ft Capacity
Water Filtration System
Automatic Ice Maker with Dispenser
2 Adjustable Wire Shelves
1 Stationary Solid Shelf
3 Storage Drawers
5 Adjustable Door Shelves

ACCESSORIES

- Grilles for 83" or 88" finished height (84" is standard).
- Framed front panels in white or stainless steel.
- Flush inset panels in stainless steel with tubular or pro handles.
- Custom front panel mounting kit.
- Side panel in white or stainless steel.
- Partial framed kit for stainless steel panels above and below dispenser.
- Stainless steel kickplate.
- Framed grille insert and full-length handles.
- Stainless steel tubular and pro handles.
- Dozen egg container.
- Replacement air purification cartridge and water filter.
- 90° door stop.

Accessories are available through your Sub-Zero dealer. For local dealer information, visit the find a showroom section of our website, subzero.com.



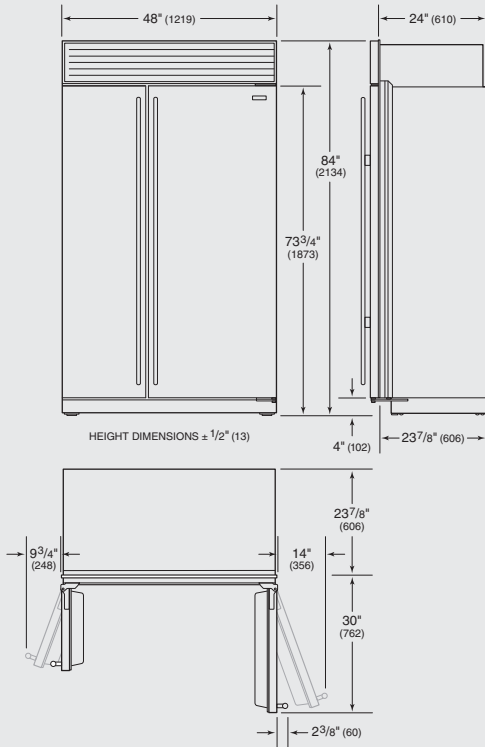
Internal Dispenser.





48" Built-In Side-by-Side with Internal Dispenser

OVERALL DIMENSIONS



Unit dimensions may vary by $\pm 1/8"$ (3).

Dimensions in parentheses are in millimeters unless otherwise specified.

SPECIFICATIONS

Overall Dimensions	48" W x 84" H x 24" D
Door Clearance	Standard 30" Flush Inset 30 1/2"
Opening Width	47 1/2"
Flush Inset Width	50"
Opening Height	83 3/4"
Flush Inset Height	84"
Opening Depth	24"
Flush Inset Depth	26 3/16"
Electrical Requirements	115 V AC, 60 Hz 15 amp circuit
Plumbing Requirements	1/4" copper, braided stainless steel or PEX tubing 30-100 psi
Shipping Weight	656 lbs

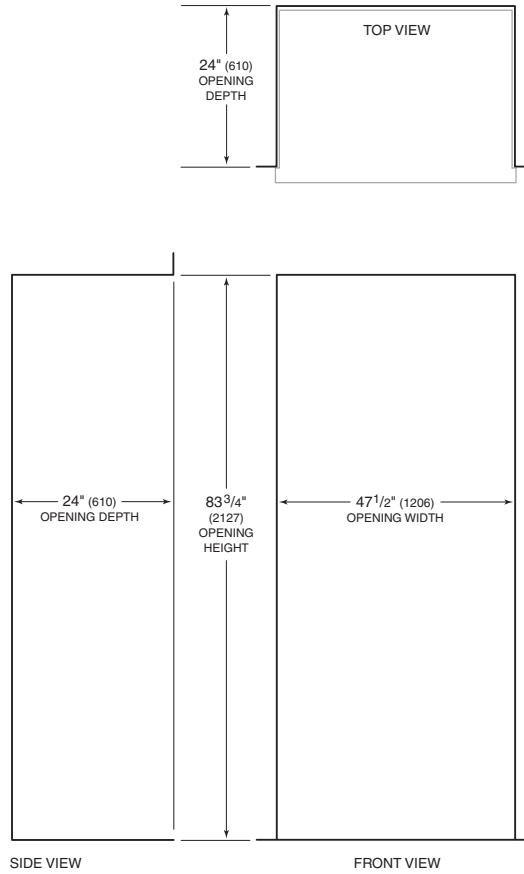
INSTALLATION NOTES

Built-In models may be used in a standard installation or in a flush inset installation which allows the unit to be flush with surrounding cabinetry.

Complete installation specifications, including panel sizes, can be found on our website, subzero.com/specs.

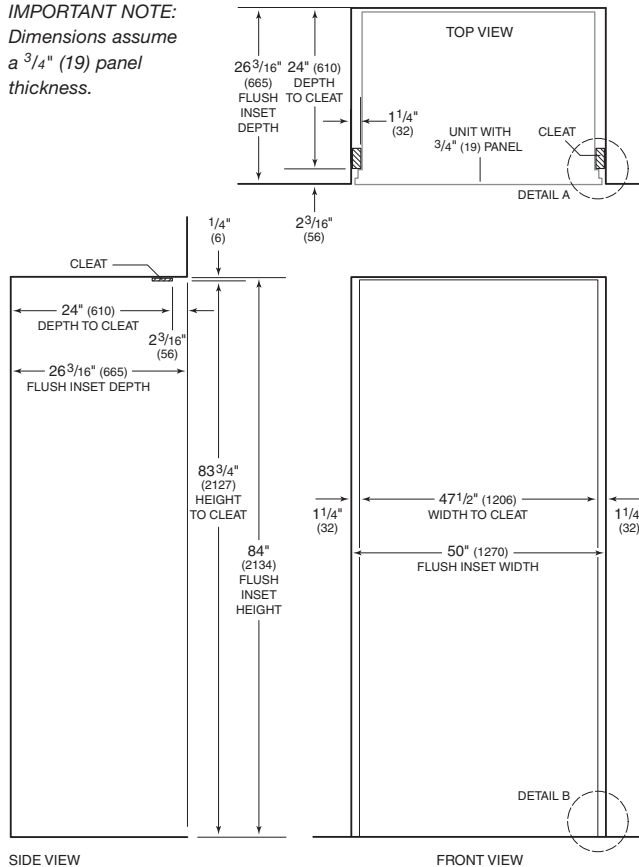
INSTALLATION SPECIFICATIONS

Standard Installation

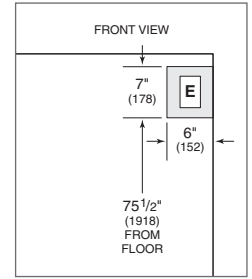


Flush Inset Installation

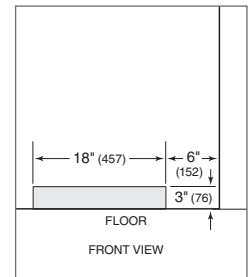
IMPORTANT NOTE:
Dimensions assume a 3/4" (19) panel thickness.



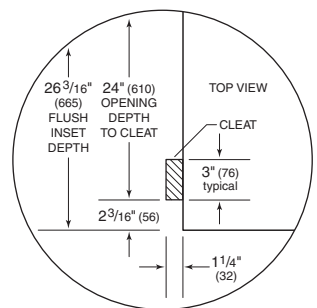
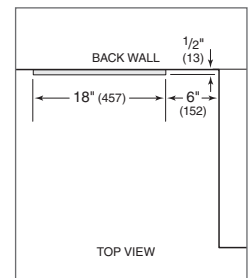
Location of Electrical Supply



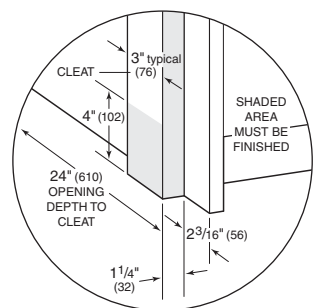
Location of Water Supply—Rear



Location of Water Supply—Bottom



Detail A



Detail B