



L Series 30" Built-In Single Ovens

The Wolf dual convection system delivers unsurpassed flexibility and control. Intuitive and easy to command from the rotating control panel. Brilliant halogen lights illuminate the beautiful blue interior. Choose the framed or unframed door style in stainless steel finish. The 30" built-in single oven pairs nicely with the Wolf microwave, which is identical in width.



Model SO30F/S shown — framed door style.

FEATURES

- Framed and unframed door styles in stainless steel finish.
- Dual convection logic control system.
- Ten cooking modes — bake, roast, broil, convection bake, convection roast, convection broil, convection, bake stone (accessory required), dehydrate (accessory required) and proof.
- Rotating glass touch control panel.
- Cobalt blue porcelain oven interior.
- Six-level rack guides with three adjustable oven racks; one full-extension easy glide, one full-extension door glide and one standard.
- Large viewing triple-pane window.
- Dual interior halogen lighting.
- Hidden bake element and recessed broil element.
- Temperature probe and receptacle.
- Self-clean, delayed start and Sabbath feature.
- Door hinge with hydraulic damper assures smooth opening and closing of the door.

MODEL OPTIONS

Door Style

SO30F/S

Framed

SO30U/S

Unframed

ACCESSORIES

- Bake stone accessory, includes stone, rack and peel.
- Two-piece broiler pan and temperature probe.
- Set of three standard oven racks.
- One full-extension easy glide rack.
- Dehydration racks with door stop.
- 30" baking sheet kit.

Accessories are available through your authorized Wolf dealer. For local dealer information, visit the find a showroom section of our website, wolfappliance.com.



Model SO30F/S
Framed Door Style



Model SO30U/S
Unframed Door Style



This appliance is certified by Star-K to meet strict religious regulations in conjunction with specific instructions found on www.star-k.org.

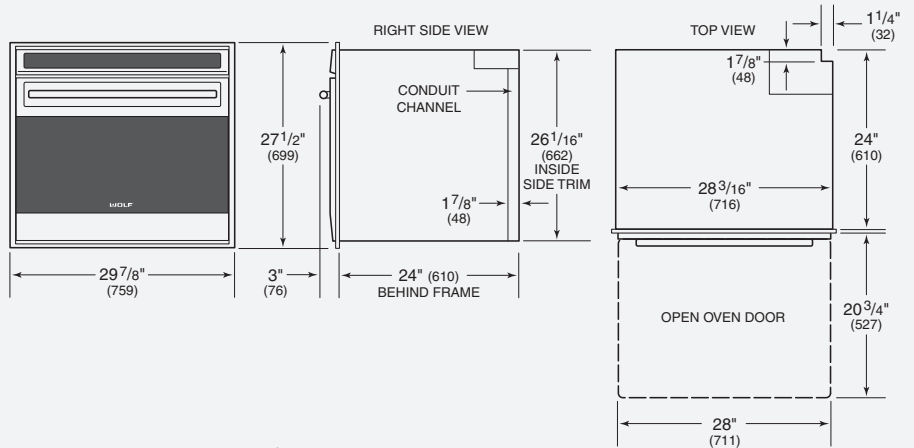


Rotating glass touch control panel.



L Series 30" Built-In Single Ovens

OVERALL DIMENSIONS



Unit dimensions may vary by $\pm 1/8"$.

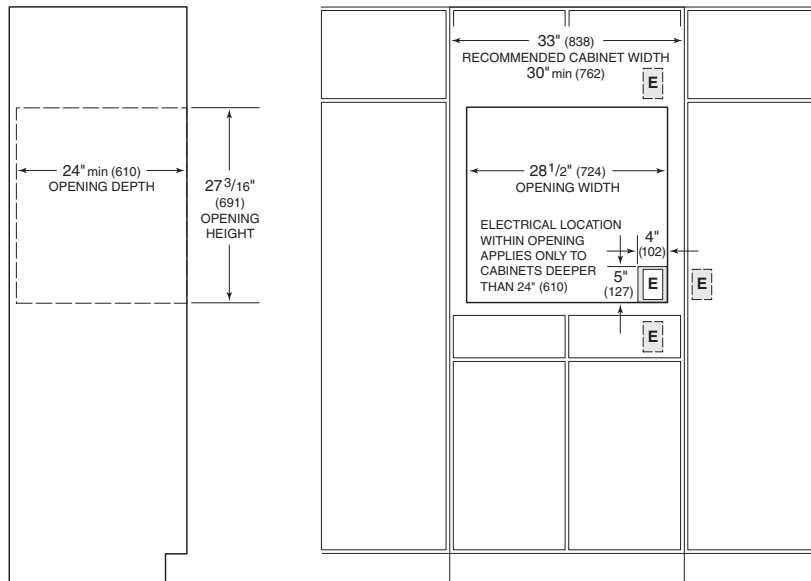
Dimensions in parentheses are in millimeters unless otherwise specified.

SPECIFICATIONS

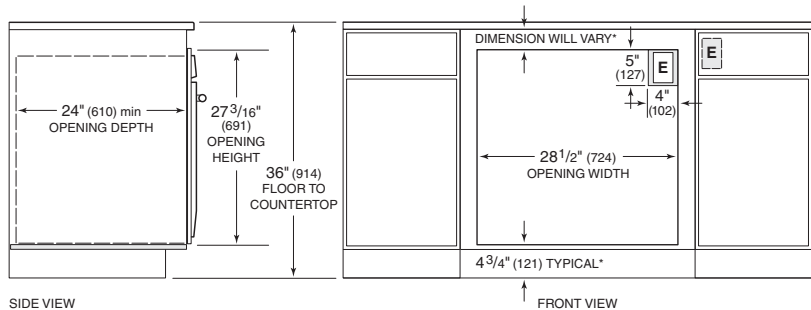
Overall Width	29 7/8"
Overall Height	27 1/2"
Overall Depth	24"
Oven Door Clearance	20 3/4"
Overall Oven Interior Capacity	4.5 cu ft
Oven Interior Dimensions	25" W x 16 1/2" H x 19" D
Minimum Cabinet Width	30"
Minimum Cabinet Depth	24"
Minimum Base Support	250 lbs
Opening Width	28 1/2"
Opening Height	27 3/16"
Electrical Requirements	240/208 V AC 60 Hz, 30 amp circuit
Conduit	4' flexible 4-wire
Electrical Rating	5.1 kW at 240 V 3.8 kW at 208 V
Total Amps	21
Shipping Weight	273 lbs

INSTALLATION SPECIFICATIONS

Wall Application



Undercounter Installation



INSTALLATION NOTES

Complete installation specifications can be found on our website, wolfappliance.com.

*Dimension must accommodate height of oven trim.

IMPORTANT NOTE: Unless you are using cabinets deeper than 24", it is recommended that the electrical supply be placed in an adjacent cabinet within reach of the conduit. Choose the location shown in the illustrations that best suits your installation.