



## 15" Undercounter Ice Machine

Sub-Zero undercounter units simplify life at home by bringing refrigeration anywhere it's needed. In the kitchen, a high-volume ice machine is a must for entertaining. Model UC-15I ice machine has a storage capacity of up to 26 pounds of ice. You can order a stainless steel panel, or the unit is ready to be fitted with your custom cabinet panel.



### FEATURES

- High-volume ice machine—great for entertaining.
- Produces up to 50 lbs of ice per day with large-capacity storage.
- Automatic ice maker provides quality, octagonal-shaped ice.
- Advanced water filtration system.
- Produces ice in air temperature up to 100°F.
- Easy-access control.
- Two, four and eight hour delay feature.
- Clean and change filter indicator lights.
- Bin light.
- Ice scoop fits neatly in door.
- Automatic defrost.
- Drain pump (UC-15IP and UC-15IPO).
- Approved for outdoor use up from 50°F to 110°F (UC-15IO and UC-15IPO).
- Stainless steel door panel with pro handle to match Wolf outdoor grills.

### MODEL OPTIONS

MODEL OPTIONS	UC-15I	UC-15IP	UC-15IO	UC-15IPO
Drain Type	Gravity Drain	Drain Pump	Gravity Drain	Drain Pump
Outdoor Model			•	•

### INTERIOR FEATURES

- **Ice Machine**
- LED Bin Light
- Water Filter
- Ice Scoop

### ACCESSORIES

- Stainless steel door panel with tubular or pro handle—15" or 18" width (UC-15I and UC-15IP).
- Stainless steel door panel with pro handle to match Wolf outdoor grills—15" width (UC-15IO and UC-15IPO).
- Stainless steel tubular and pro handles.
- Cleaning and sanitizing solutions (must be ordered with ice machine).
- Replacement water filter.

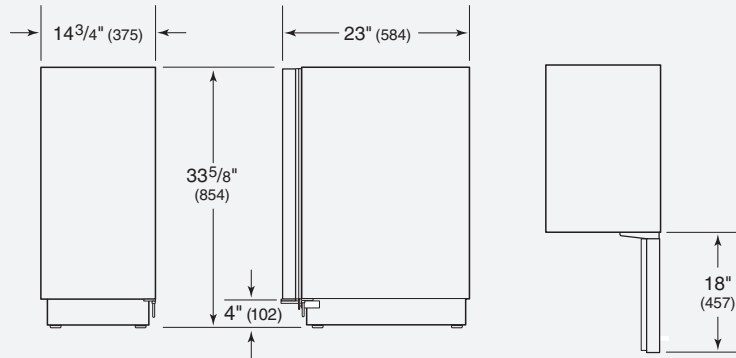
*Accessories are available through your Sub-Zero dealer. For local dealer information, visit the find a showroom section of our website, [subzero.com](http://subzero.com).*





## 15" Undercounter Ice Machine

### OVERALL DIMENSIONS



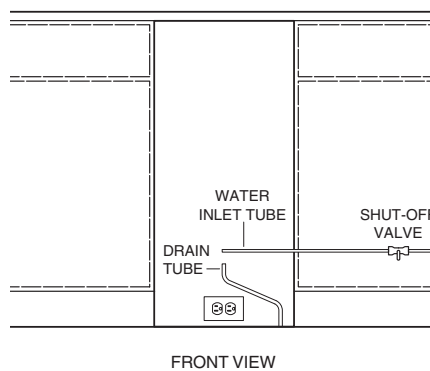
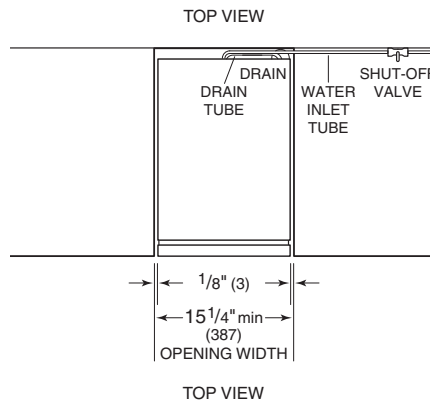
Unit dimensions may vary by  $\pm 1/8$ ".  
Overall dimensions do not include panels or handles.

### SPECIFICATIONS

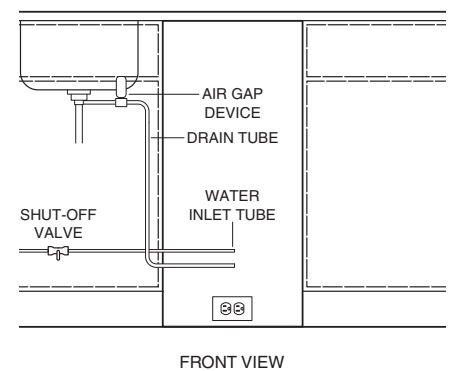
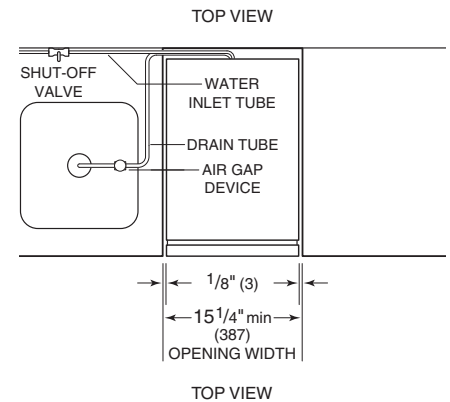
Overall Width	14 <sup>3</sup> / <sub>4</sub> "
Overall Height (levelers in)	33 <sup>5</sup> / <sub>8</sub> "
Overall Depth	23"
Minimum Door Clearance	18"
Ice Storage Capacity	26 lbs
Opening Width	15 <sup>1</sup> / <sub>4</sub> "
Opening Height	34 <sup>1</sup> / <sub>2</sub> "
Opening Depth	24"
Minimum Height Required (levelers in)	33 <sup>5</sup> / <sub>8</sub> "
Electrical Requirements	115 V AC, 60 Hz 15 amp dedicated circuit
Plumbing Requirements	1/4" OD copper, braided stainless steel or PEX tubing 20–80 psi
Shipping Weight	117 lbs

### INSTALLATION SPECIFICATIONS

#### Gravity Drain Models



#### Drain Pump Models



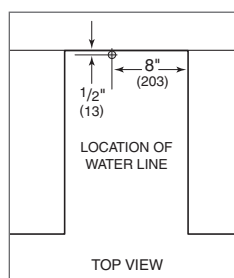
### INSTALLATION NOTES

The electrical supply can be located anywhere on the back wall.

The ice machine can be ordered with (models UC-15IP and UC-15IPO) or without (models UC-15I and UC-15IO) a drain pump. Each model has specific plumbing requirements. If you order the unit without a pump, a drain must be installed.

Complete installation specifications, including panel dimensions, can be found on our website, [subzero.com/specs](http://subzero.com/specs).

#### Location of Water Supply



Dimensions in parentheses are in millimeters unless otherwise specified.