



## 30" Wine Storage

Better wine storage conditions for the bottle ultimately means better enjoyment in the glass. Model WS-30 is our largest wine storage unit with a capacity of 147 (750 ml) bottles. Two independent storage zones maintain the temperature and humidity that wine — and wine lovers — require. Model WS-30 is available in framed, overlay, flush inset and stainless steel design options.



Model WS-30/S/PH shown.

### FEATURES

- Four design options: framed, overlay, flush inset and stainless steel.
- Built-in design allows for dual installation with built-in unit.
- Full-size wine storage with individual temperature control of two separate compartments.
- Maintains ideal storing and serving temperature for all wines, humidity and UV protection.
- Temperature zones range from 39°F to 65°F.
- Full-view, UV-resistant glass door—high altitude glass available.
- Illuminated touch control panel.
- Discreet interior lighting.
- Wine shelves accommodate 750 ml bottles, half-bottles and magnums.
- Roller-glide wine shelves with natural cherrywood facing have three-quarter extension for easy access.
- Illuminated display shelf for prized bottles of wine.
- Can be connected to home security system.
- Star-K compliant with installation of a harness kit.

### MODEL OPTIONS

MODEL OPTIONS	WS-30/O	WS-30/S/TH	WS-30/S/PH
Design	Overlay/Framed/Flush Inset	Stainless	Stainless
Grille	Panel	Stainless	Stainless
Handle	*	Tubular	Pro

\*Handle not included to allow for design flexibility.

### ACCESSORIES

- Grilles for 83" or 88" finished height (84" is standard).
- Flush inset and dual flush inset panels in stainless steel with tubular or pro handle.
- Dual installation kit with or without dual wide grille—84" finished height.
- Side panels in white or stainless steel.
- Stainless steel kickplate.
- Framed grille insert and full-length handles.
- Stainless steel tubular and pro handles.
- Door lock.
- 90° door stop.

Accessories are available through your Sub-Zero dealer. For local dealer information, visit the find a showroom section of our website, [subzero.com](http://subzero.com).

### ENEMIES OF WINE

**Heat** – Two independent storage zones can be set in a range of 39°F to 65°F, with one-degree digital accuracy.

**Light** – UV resistant bronze tinted glass shields wines from harmful rays.

**Humidity** – Dual evaporators, one for each storage zone, maintain steady, moderate humidity.

**Vibration** – Sub-Zero's quiet compressor lets wines rest undisturbed. Shelves glide out smoothly, providing access without agitating the wine.

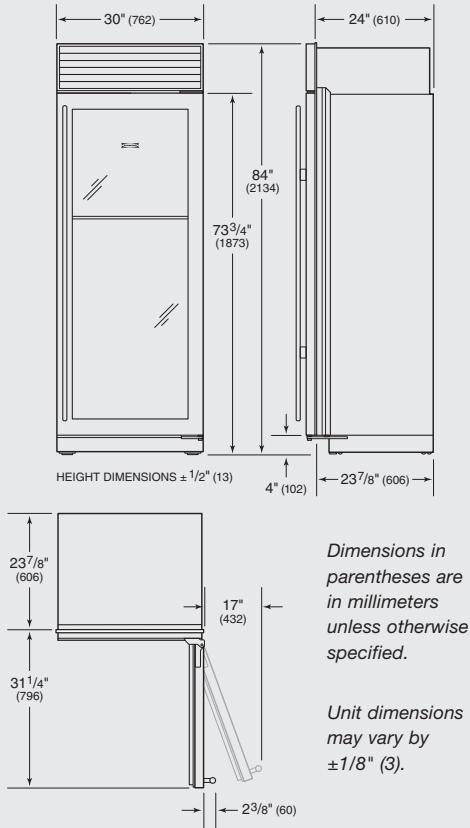
For additional information on the enemies of wine, visit [www.subzerowine.com](http://www.subzerowine.com).





## 30" Wine Storage

### OVERALL DIMENSIONS



### SPECIFICATIONS

Overall Dimensions	30"W x 84" H x 24" D
Door Clearance	Standard 31 <sup>1</sup> / <sub>4</sub> " Flush Inset 31 <sup>3</sup> / <sub>4</sub> "
Wine Storage Capacity	147 bottles*
Opening Width	29 <sup>1</sup> / <sub>2</sub> "
Flush Inset Width	32"
Opening Height	83 <sup>3</sup> / <sub>4</sub> "
Flush Inset Height	84"
Opening Depth	24"
Flush Inset Depth	26 <sup>3</sup> / <sub>16</sub> "
Electrical Requirements	115 V AC, 60 Hz 15 amp circuit
Shipping Weight	445 lbs

\*750 ml bottles.

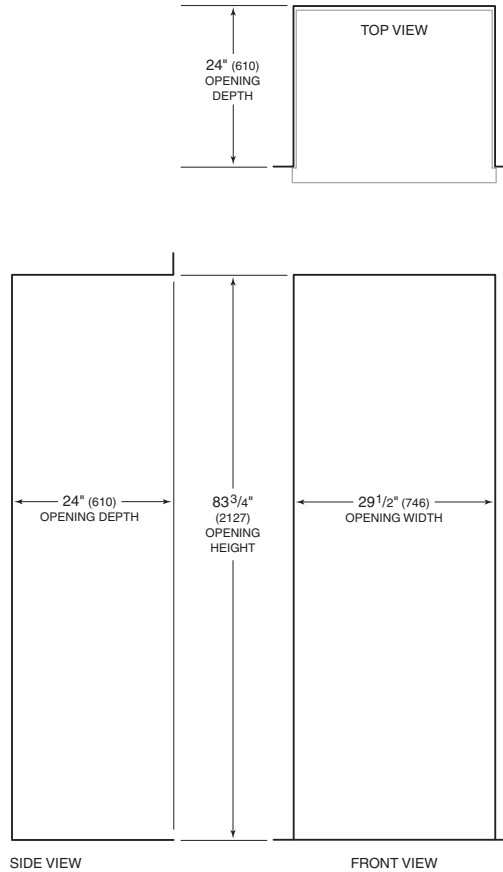
### INSTALLATION NOTES

For overlay models, you will be adding a door panel for a custom look. Overlay models allow you to match surrounding cabinetry hardware, and the panel grille accepts a custom panel insert.

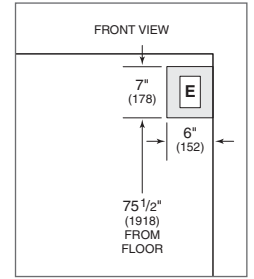
Complete installation specifications, including panel sizes, can be found on our website, [subzero.com/specs](http://subzero.com/specs).

### INSTALLATION SPECIFICATIONS

#### Standard Installation



#### Location of Electrical Supply



#### Flush Inset Installation

**IMPORTANT NOTE:**  
Dimensions assume a 3/4" (19) panel thickness.

