



30" Cooktop Wall Ventilation Hood

Powerful multi-speed blowers draw odors and smoke into the five-layer mesh filter. Filters remove easily for cleaning. The sculpted stainless steel hood not only provides the power you expect from Wolf, but also the beauty you have come to appreciate as well. This wall mount cooktop ventilation hood has a telescopic chimney flue that adjusts to reach the ceiling with a finished look.



Model CTWH30 shown above model CT30E/S electric cooktop and model SO30FIS built-in oven.

FEATURES

- Stainless steel finish.
- Internal, in-line and remote blower options.
- Front-mounted controls with LED indicator.
- Heavy-duty stainless steel seamless construction.
- Three-speed blower control.
- Filter clean timer lets you know when the filter needs cleaning.
- Delay-off feature automatically turns unit off.
- Sealed halogen lighting with three settings.
- Stainless steel filter cover with dishwasher-safe aluminum mesh filter.
- Heat sentry feature automatically turns unit on when heat is sensed and automatically adjusts blower speed.
- Transition with backdraft damper included.
- Fits 8' to 9' ceilings.

MODEL

CTWH30

Overall Dimensions	30" W x 6 ⁷ / ₈ " H x 21" D
Overall Height (chimney collapsed/full extension)	30 ¹ / ₂ " / 48 ¹ / ₂ "

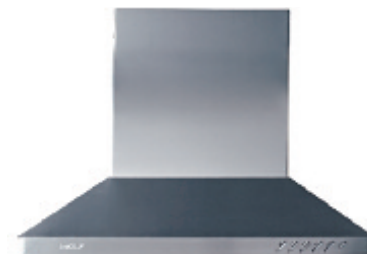
BLOWER OPTIONS

CFM	INTERNAL				IN-LINE		REMOTE			
	500	600	900	1200	600	1100	600	900	1200	1500
CTWH30		•			•	•	•	•	•	•

ACCESSORIES

- Internal, in-line and remote blowers (refer to chart above).
- 30" x 30" stainless steel wall shield.
- Flue extension to accommodate 10' ceilings.
- 8" to 10" round transition.

Accessories are available through your authorized Wolf dealer. For local dealer information, visit the find a showroom section of our website, wolfappliance.com.



Model CTWH30 Cooktop Wall Hood



Front-mounted controls.

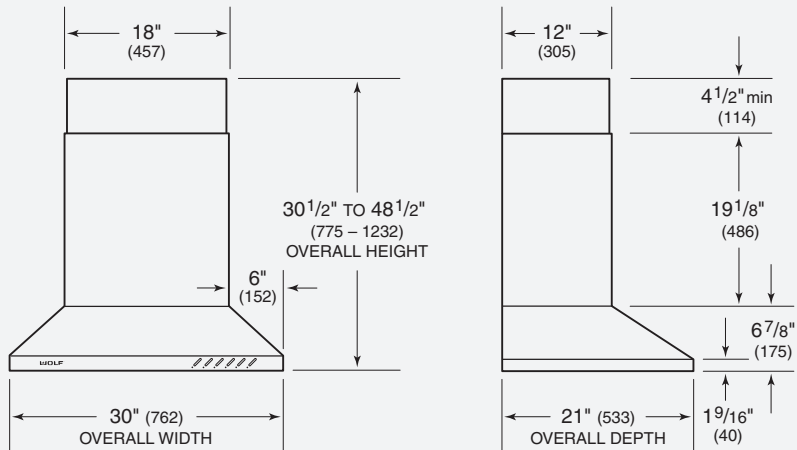


Halogen lighting.



30" Cooktop Wall Ventilation Hood

OVERALL DIMENSIONS

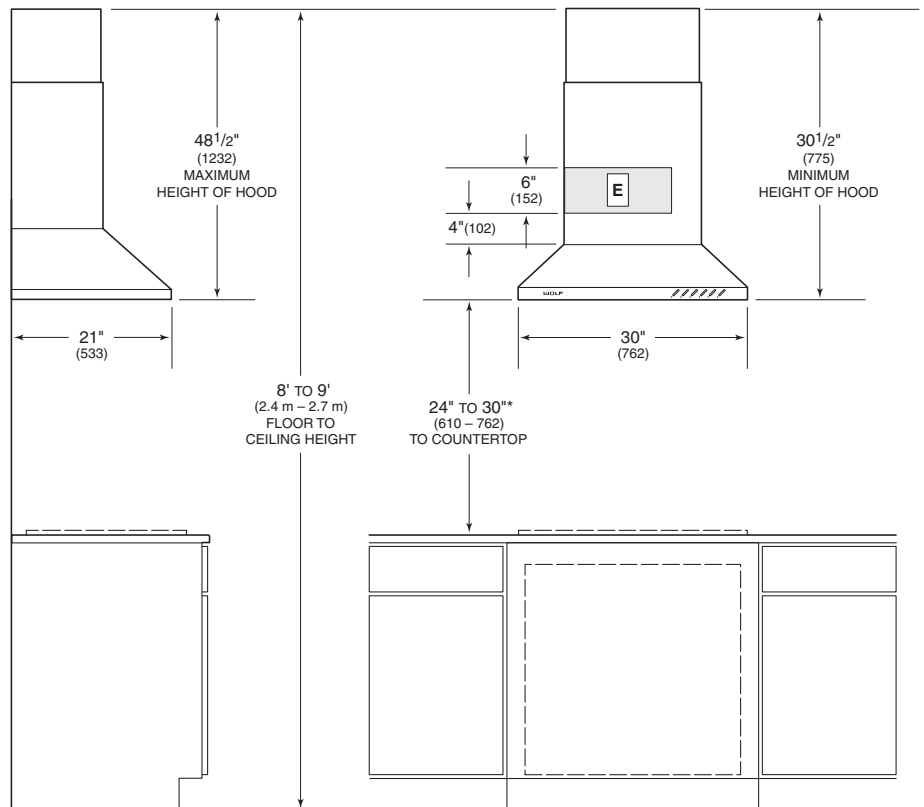


Unit dimensions may vary by $\pm 1/8$ ".

SPECIFICATIONS

Exterior Finish	Stainless Steel
Overall Width	30"
Overall Height (excluding chimney)	6 ⁷ / ₈ "
Overall Height (including chimney)	30 ¹ / ₂ "
Maximum Height (full extension)	48 ¹ / ₂ "
Overall Depth	21"
Bottom of Hood to Countertop	24" to 30"
Duct Size	8" round
Discharge	Vertical
Electrical Requirements	110/120 V AC 60 Hz, 15 amp circuit
Shipping Weight	85 lbs

INSTALLATION SPECIFICATIONS



*8' (2.4 m) ceilings will not allow for a 30" (762) maximum height above the countertop. Based on a 36" (914) high countertop, an 8' (2.4 m) ceiling will allow for a maximum height above the countertop of 29¹/₂" (749).

INSTALLATION NOTES

IMPORTANT NOTE: Wolf cooktop wall hoods are recommended for use with Wolf induction, electric and gas cooktops and integrated modules. For Wolf dual fuel ranges, gas ranges, sealed burner rangetops and gas rangetops, a pro ventilation hood should be used.

Complete installation specifications can be found on our website, wolfappliance.com.

Dimensions in parentheses are in millimeters unless otherwise specified.