



45" Downdraft Ventilation System

The cooktop downdraft unit rises from the countertop to whisk away odors and smoke into the easy-to-clean, five-layer mesh filter. Model DD45I includes an internal blower. In-line and remote blower options are available for model DD45R.



Model DD45 shown. Also shown are two model CT15G/S gas cooktops and model IM15/S multi-function cooktop.

FEATURES

- Remote-mounted control module.
- Internal, in-line and remote blower options.
- Three-speed blower control.
- Filter clean timer lets you know when the filter needs cleaning.
- Delay-off feature automatically turns unit off after five minutes, chimney remains up.
- Stainless steel filter cover with dishwasher-safe aluminum mesh filter.
- LED indicators.
- Downdraft control kit, included with the unit—includes control module, top cover, mounting brackets, RJ45 connector and mounting hardware.



Control module.

MODEL OPTIONS

	DD45I	DD45R
Includes 500 CFM Internal Blower	•	
Requires In-Line or Remote Blower		•

BLOWER OPTIONS

CFM	INTERNAL				IN-LINE		REMOTE			
	500	600	900	1200	600	1100	600	900	1200	1500
DD45R					•		•	•	•	•

ACCESSORIES

- In-line and remote blowers for model DD45R (refer to chart above).
- Transitions in various sizes.

Accessories are available through your authorized Wolf dealer. For local dealer information, visit the find a showroom section of our website, wolfappliance.com.



Model DD45

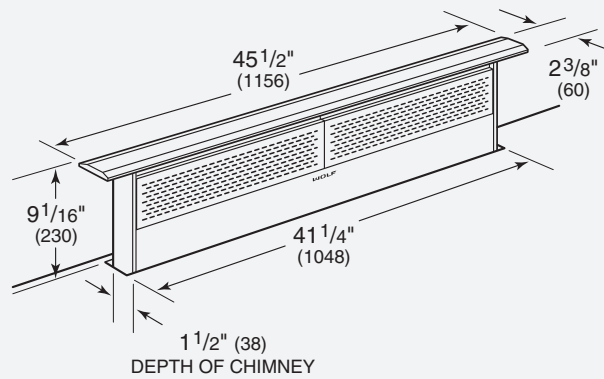
IMPORTANT NOTE: Wolf downdraft systems can be used with all Wolf induction, electric and gas cooktops, except unframed models. Wolf downdraft systems cannot be used with the steamer or fryer module and are not recommended for use with the electric grill module.

A pro ventilation hood is recommended for use with Wolf dual fuel ranges, gas ranges, sealed burner rangetops and gas rangetops.



45" Downdraft Ventilation System

OVERALL DIMENSIONS



Unit dimensions may vary by $\pm 1/8"$.

SPECIFICATIONS

Overall Width	45 1/2"
Overall Height (above countertop)	9 1/16"
Overall Depth	2 3/8"
Duct Size	Model DD45I 3 1/4" x 10" Model DD45R 3 1/4" x 14"
Discharge	Adjustable
Minimum Flat Countertop Depth	25 1/8"
Downdraft Cut-Out Width	42"
Downdraft Cut-Out Depth	2 3/4"
Electrical Requirements	110/120 V AC 60 Hz, 15 amp circuit

Power Cord* 2 1/2' cord with grounded plug

Shipping Weight 85 lbs

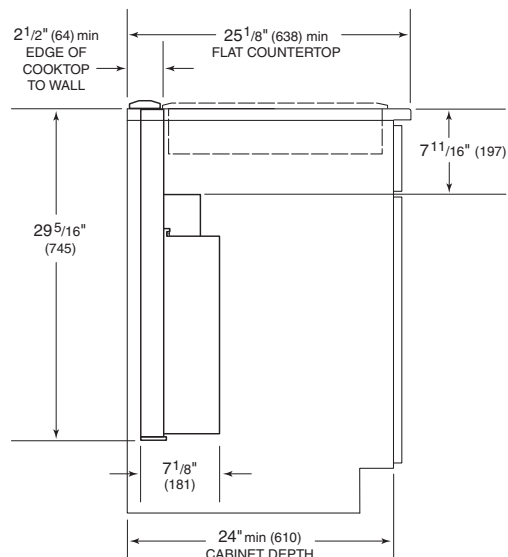
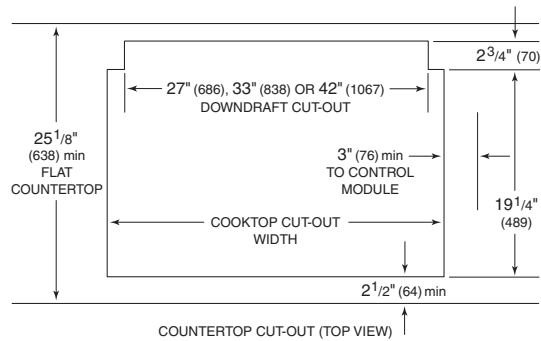
*The specific location of the outlet is not critical, as long as it is within reach of the power cord that is located mid-way, top and bottom, on the right side of the downdraft. Certain installations may require that the electrical supply be placed in an adjacent cabinet.

INSTALLATION NOTES

Complete installation specifications can be found on our website, wolfappliance.com.

INSTALLATION SPECIFICATIONS

Installation with Cooktop



Dimensions in parentheses are in millimeters unless otherwise specified.