

INSTALLATION GUIDE

Dual Fuel Ranges



Contents

Wolf Dual Fuel Ranges	3
Safety Instructions	4
Dual Fuel Range Specifications	5
Dual Fuel Range Installation	14
Service Information	19

Features and specifications are subject to change at any time without notice. Visit wolfappliance.com/specs for the most up-to-date information.

IMPORTANT NOTE: Throughout this guide, dimensions in parentheses are millimeters unless otherwise specified.

Important Note

To ensure the safe and efficient use of Wolf equipment, please take note of the following types of highlighted information throughout this guide:

IMPORTANT NOTE highlights information that is especially important.

CAUTION signals a situation where minor injury or product damage may occur if instructions are not followed.

WARNING states a hazard that may cause serious injury or death if precautions are not followed.



Dual Fuel Range Installation

IMPORTANT NOTE: This installation must be completed by a qualified installer, service agency or gas supplier.

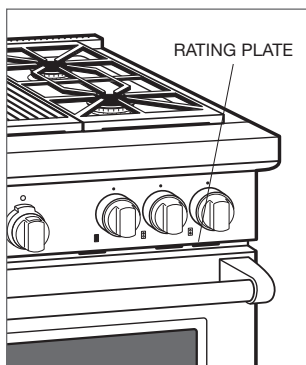
Read this entire installation guide prior to installation and save for the local inspector's reference. The homeowner should keep this installation guide for future reference.

This appliance must be installed in accordance with National Electrical Codes, as well as all state, municipal and local codes. The correct voltage, frequency and amperage must be supplied to the appliance from a dedicated, grounded circuit which is protected by a properly sized circuit breaker or time delay fuse. The proper voltage, frequency, and amperage ratings are listed on the product rating plate.

Wolf dual fuel ranges are manufactured for use with natural gas or LP gas. Check the product rating plate for the type of gas for your specific model. If this appliance does not correspond to your type of gas, contact your authorized Wolf dealer.

Record the model and serial numbers before installing the dual fuel range. Both numbers are listed on the product rating plate, located on the bottom of the control panel assembly, at the far right, just above the oven door. Refer to the illustration below.

Wolf Dual Fuel Range
Model Number
Serial Number



Location of rating plate.

IMPORTANT INSTRUCTIONS

⚠ WARNING

If the information in this guide is not followed exactly, a fire or explosion may result, causing property damage, personal injury or death.

- Installation and service must be performed by a qualified installer, service agency or the gas supplier.
- Warranty service must be performed by a Wolf authorized service center.
- Do not store or use gasoline or other flammable vapors and liquids in the vicinity of this or any other appliance.
- All openings in the wall or floor where the range is to be installed must be sealed.
- A ventilation hood is recommended for use with the Wolf dual fuel range.
- In Massachusetts: Installations and repairs must be performed by a qualified or licensed contractor, plumber or gasfitter qualified or licensed by the state, province, or region where this appliance is being installed. Only use gas shut-off valves approved for use within the state, province, or region where this appliance is being installed. A flexible gas connector, when used, must not exceed 3' (.9 m).

WHAT TO DO IF YOU SMELL GAS:

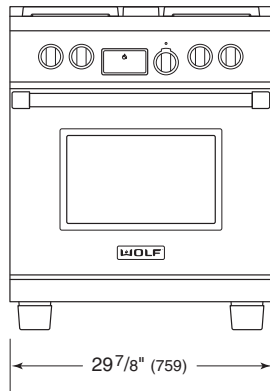
- Do not try to light any appliance.
- Do not touch any electrical switch.
- Do not use any phone in your building.
- Immediately call your gas supplier from a neighbor's phone. Follow the gas supplier's instructions.
- If you cannot reach your gas supplier, call the fire department.

⚠ WARNING

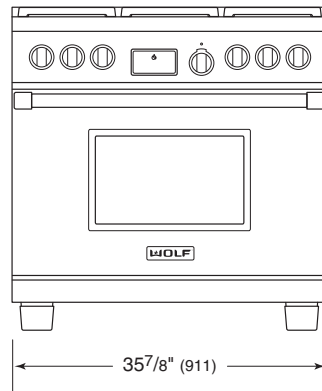
This range can tip. Injury to persons could result. Install the anti-tip device provided with this range according to instructions on page 14.

Dual Fuel Range Dimensions

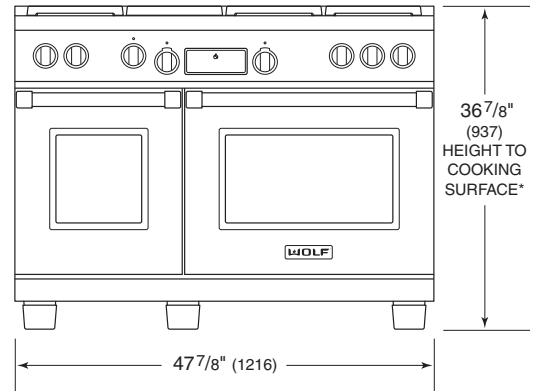
30" (762) RANGE



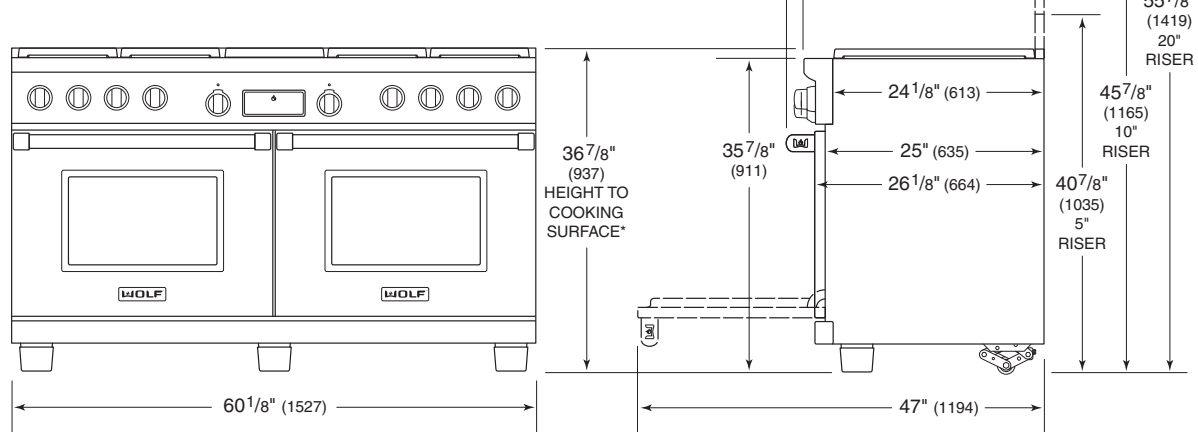
36" (914) RANGE



48" (1219) RANGE



60" (1527) RANGE



*LEGS AND CASTERS ALLOW FOR HEIGHT ADJUSTMENT UP TO 39" (991)

SIDE VIEW—ALL RANGES

Installation Requirements

⚠ WARNING

Failure to locate the range without the proper clearances will result in a fire hazard.

IMPORTANT NOTE: Caution must be used in planning the proper installation of the Wolf dual fuel range to avoid fires or damage to adjacent cabinetry or kitchen equipment. Follow all minimum clearances to combustible surfaces shown in the installation illustration for your specific model on the following pages.

IMPORTANT NOTE: When installing against a combustible surface, a minimum 10" (254) riser is required for a 36" (914) dual fuel range with charbroiler or griddle and all 48" (1219) and 60" (1524) models.

Risers and other accessories are available through your authorized Wolf dealer. To obtain local dealer information, visit the find a showroom section of our website, wolfappliance.com.

VENTILATION

The dual fuel range must have an adequate supply of fresh air to assure proper combustion and ventilation. The location of the range should be away from strong draft areas, such as windows, doors and strong heating vents or fans. Do not obstruct the flow of air.

Due to the high volume of ventilation air required, a source of outside replacement air is recommended. This is especially important for tightly sealed and insulated homes. A qualified HVAC contractor should be consulted.

It is recommended that you use a Wolf pro ventilation hood or hood liner with the dual fuel range. If the range is to be installed without ventilation, a 36" (914) minimum clearance, 44" (1118) for charbroiler, from countertop to combustible materials above the range is required. Refer to the installation illustrations on pages 10–13.

Electrical Requirements

Locate the electrical supply flush with back wall and within the shaded area shown in the illustration for your specific model on the following pages.

30" AND 36" DUAL FUEL RANGES

- Power supply: 240/208 V AC, 60 Hz with 30 amp service.
- Maximum connected load: 5.2 kW.
- Total amps: 21 amps.
- Supply wire minimum size: L1, L2 and ground—12 AWG, neutral—16 AWG.

48" AND 60" DUAL FUEL RANGES

- Power supply: 240/208 V AC, 60 Hz with 50 amp service.
- Maximum connected load: 10.2 kW.
- Total amps: 42.5 amps.
- Supply wire minimum size: L1 and L2—8 AWG, ground—10 AWG, neutral—12 AWG.

IMPORTANT NOTE: You must follow all National Electrical Code regulations. In addition, be aware of local codes and ordinances when installing your service.

IMPORTANT NOTE: Performance may be compromised if the electrical supply is less than 240 volts.

WIRING DIAGRAM

The wiring diagram covering the control circuit is located behind the control panel on top of the cavity insulation retainer and under the control board.

Gas Supply Requirements

⚠ WARNING

EXPLOSION HAZARD: Use a certified gas supply line and install a gas shut-off valve. Securely tighten all gas connections. Failure to follow these instructions can result in explosion, fire or death.

IMPORTANT NOTE: The dual fuel range must be connected to a regulated gas supply.

IMPORTANT NOTE: This installation must conform with local codes and ordinances. In the absence of local codes, installations must conform with the American National Standard, National Fuel Gas Code.

The dual fuel range is equipped for use with natural or liquid propane (LP) gas. It is design certified by the Canadian Standards Association (CSA) for natural or LP gases. The product rating plate, located on the bottom of the control panel assembly, at the far right, just above the oven door, has information on the type of gas that should be used. Refer to the illustration below. If this information does not agree with the type of gas available, check with the local gas supplier.

A gas supply line of $\frac{3}{4}$ " rigid pipe must be provided to the range. If local codes permit, a certified, 3' (.9 m) long, $\frac{1}{2}$ " or $\frac{3}{4}$ " ID flexible metal appliance connector is recommended to connect the range to the gas supply line. For LP gas, piping or tubing size can be $\frac{1}{2}$ " minimum. LP gas suppliers usually determine the size and materials used on the system. The pipe coming out the back of the range has $\frac{1}{2}$ " female threads. Pipe joint compounds, suitable for use with natural or LP gas should be used.

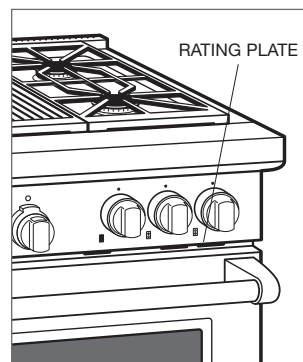
Locate the gas supply within the shaded area shown in the illustration for your specific model on the following pages.

IMPORTANT NOTE: The supply line must be equipped with an approved external gas shut-off valve located near the range in an accessible location. Do not block access to the shut-off valve. Refer to the illustration below.

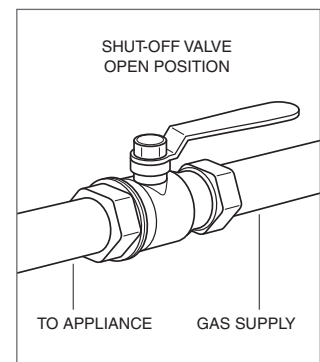
Wolf natural gas ranges will function up to an altitude of 10,250' (3124 m) without any adjustment. LP gas ranges will function up to 8,600' (2621 m) without adjustment. If the installation exceeds these elevations, contact your authorized Wolf dealer for a high altitude conversion kit.

⚠ CAUTION

Before connecting the gas supply, make sure all valves are in a closed position. Do not connect the gas supply to an appliance that shows any sign of damage.



Location of rating plate.



Gas shut-off valve.

Gas Supply Requirements

GAS MANIFOLD PRESSURE

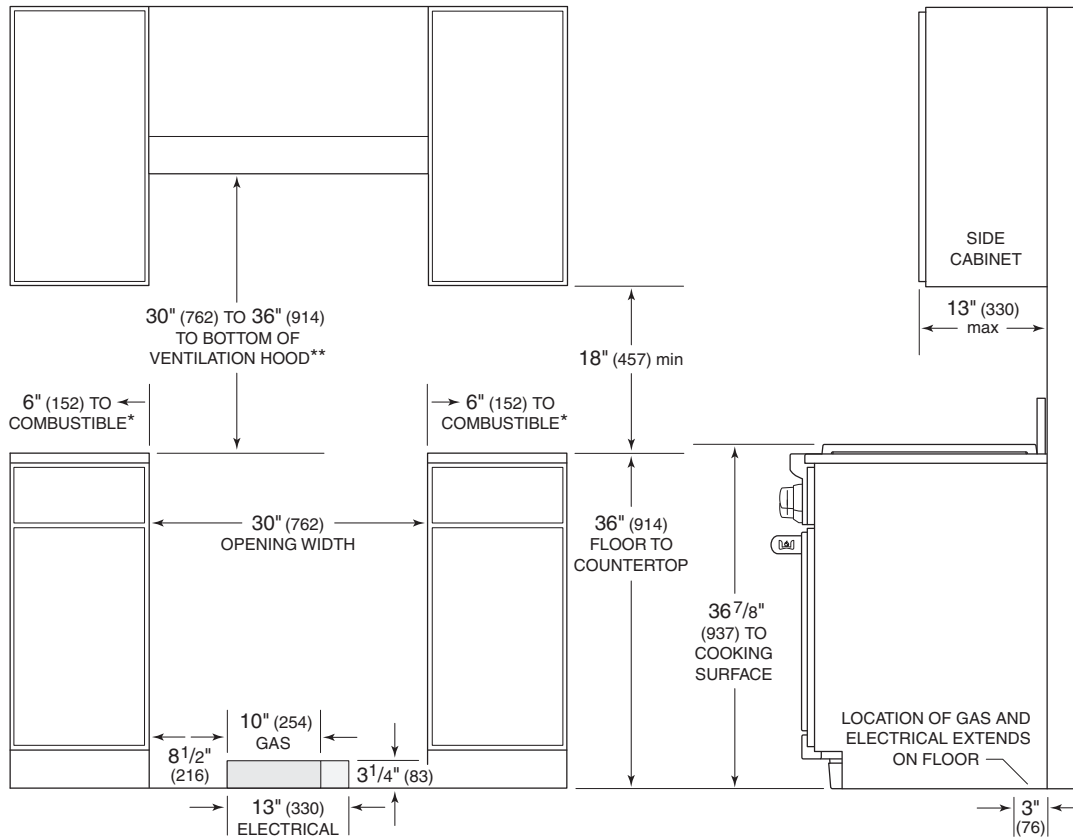
- **Natural Gas:** Standard orifices are set for 5" (12.5 mb) WC. A natural gas pressure regulator is installed.
- **LP Gas:** Standard orifices are set for 10" (25 mb) WC. An LP gas pressure regulator is installed.
- **Gas Supply Pressure:** The maximum gas supply pressure to the regulator should never exceed 14" (34.9 mb) WC; .5 psi (3.5 kPa) for natural and LP gas. The minimum line pressure is 7" (17.5 mb) WC for natural gas and 11" (27.4 mb) WC for LP gas.
- **Gas Pressure Regulator:** To control and maintain a uniform gas pressure in the gas manifold, the unit must be used with a gas pressure regulator. The burner orifices, etc. are sized for the gas pressure delivered by the supplied regulator. Do not remove the regulator.

▲ CAUTION

The maximum gas supply pressure to the regulator should never exceed 14" (34.9 mb) WC; .5 psi (3.5 kPa).

30" (762) Dual Fuel Range

INSTALLATION



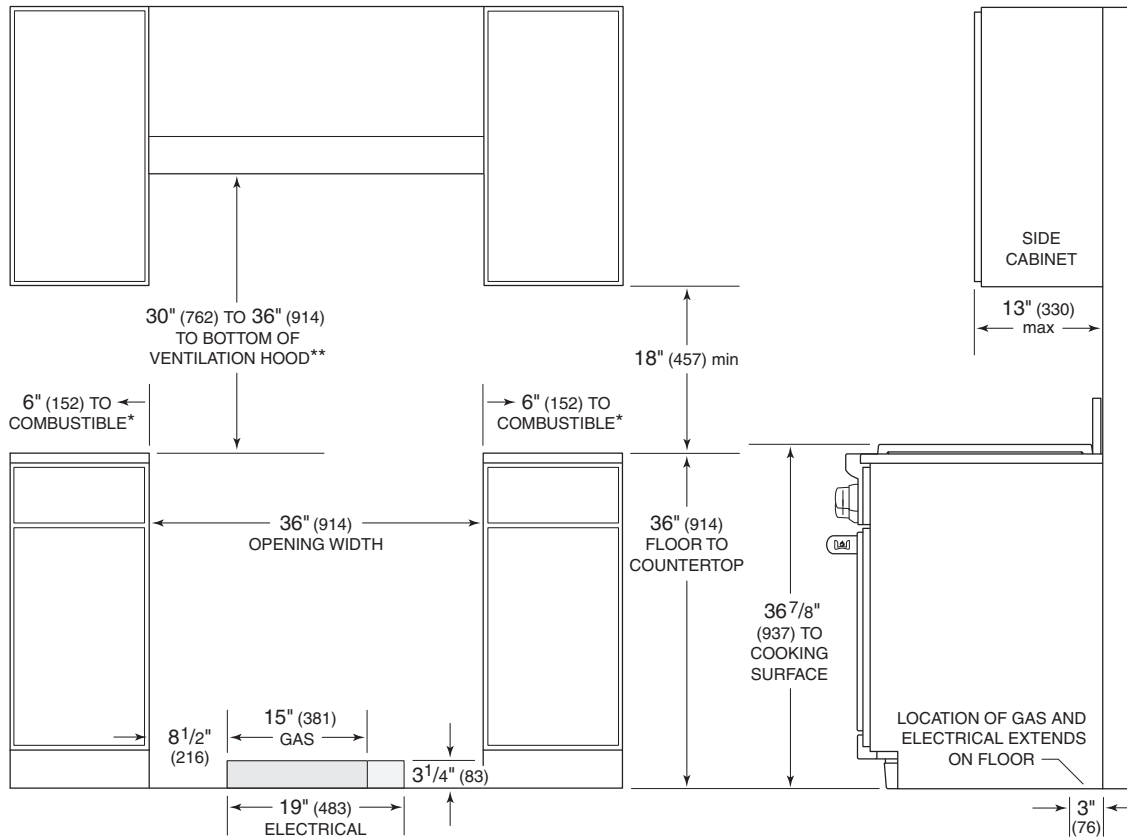
*Minimum clearance from rough opening to combustible materials up to 18" (457) above countertop.

**36" (914) minimum clearance from countertop to combustible materials without ventilation hood.

NOTE: For island installations, 12" (305) minimum clearance from back of range to combustible rear wall above countertop.

36" (914) Dual Fuel Range

INSTALLATION



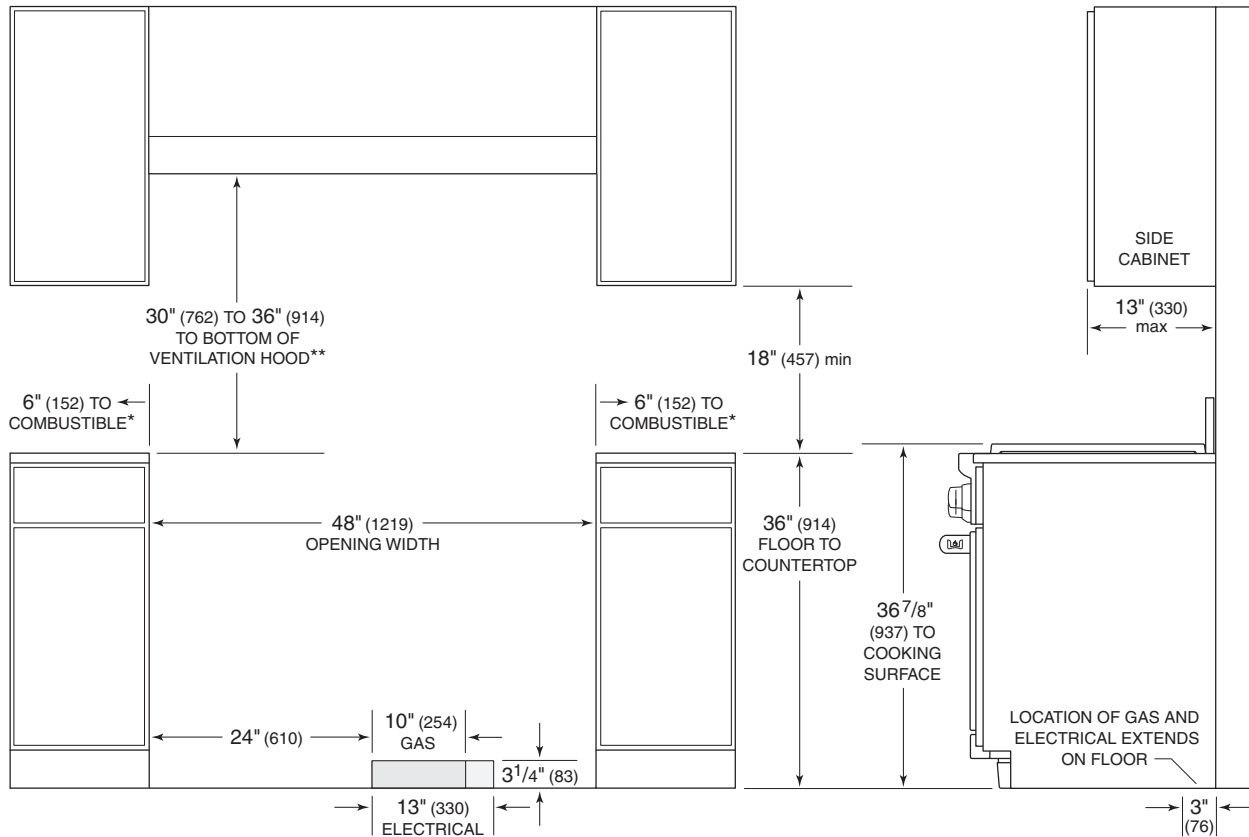
*Minimum clearance from rough opening to combustible materials up to 18" (457) above countertop.

**36" (914) minimum clearance, 44" (1118) for charbroiler, from countertop to combustible materials without ventilation hood.

NOTE: For island installations, 12" (305) minimum clearance from back of range to combustible rear wall above countertop.

48" (1219) Dual Fuel Range

INSTALLATION



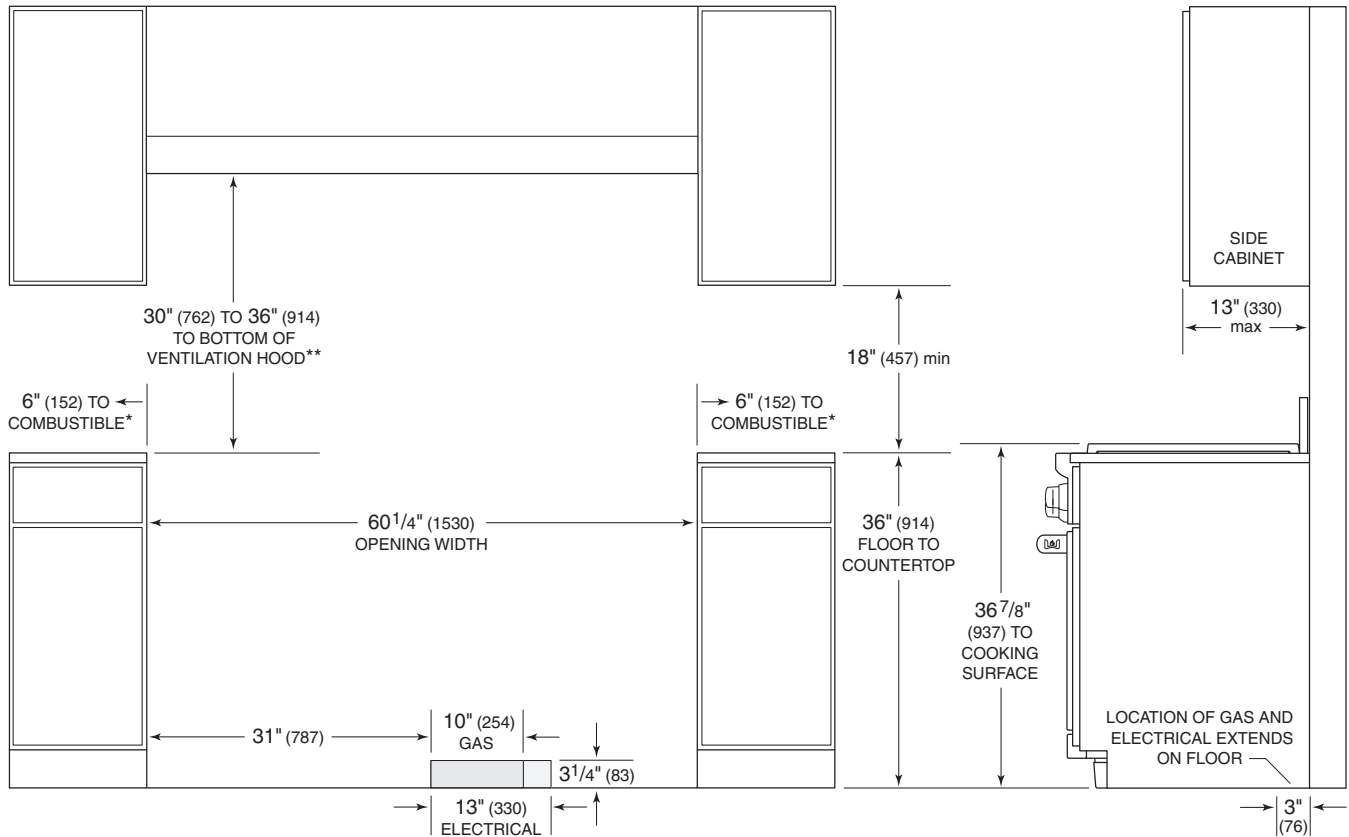
*Minimum clearance from rough opening to combustible materials up to 18" (457) above countertop.

**36" (914) minimum clearance, 44" (1118) for charbroiler, from countertop to combustible materials without ventilation hood.

NOTE: For island installations, 12" (305) minimum clearance from back of range to combustible rear wall above countertop.

60" (1527) Dual Fuel Range

INSTALLATION



*Minimum clearance from rough opening to combustible materials up to 18" (457) above countertop.

**36" (914) minimum clearance, 44" (1118) for charbroiler, from countertop to combustible materials without ventilation hood.

NOTE: For island installations, 12" (305) minimum clearance from back of range to combustible rear wall above countertop.

Position the Range

⚠ WARNING

The dual fuel range is very heavy. Use caution when lifting and moving the unit.

IMPORTANT NOTE: Before moving the range, protect any finished flooring to avoid damage to the floor. Secure oven door(s) closed.

The dual fuel range has rolling casters in the rear which allows for easy movement of the range by lifting the front of the unit.

IMPORTANT NOTE: Do not lift the range by the oven door handle(s). This will damage the oven door and hinges.

Move the dual fuel range into position near the installation opening. Remove and discard all packing materials. Do not discard the anti-tip bracket supplied with the range. Refer to anti-tip bracket installation instructions.

If the oven door(s) need to be removed to position the range, refer to oven door removal instructions.

If your installation requires a riser, it must be attached to the range before installation. Refer to installation instructions packaged with the riser.

Anti-Tip Bracket Installation

⚠ WARNING

This range can tip. Injury to persons could result. Install the anti-tip bracket supplied with the range.

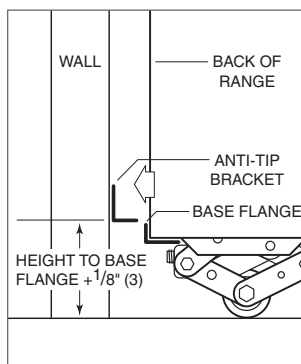
Raise the unit to its desired height by adjusting the front legs and rear casters. The legs and casters allow for $2\frac{1}{8}$ " (54) height adjustment. Use a $\frac{3}{4}$ " socket to adjust the rear casters. The front legs are adjusted by rotating the bottom hexagonal portion of the leg.

Measure from the floor to the top of the range base flange on the back of the unit. Add $\frac{1}{8}$ " (3) to this dimension and mark the height on the wall at the back of the installation opening. This will mark the bottom edge of the anti-tip bracket. Approximately center the mark in the opening. For double oven ranges, verify that the anti-tip bracket does not interfere with the inner cavity supports.

Locate a stud on the wall at the back of the installation opening, and install the anti-tip bracket at the same level as this line.

Push the range back into the opening, and ensure that the rear base flange fits under the anti-tip bracket. Refer to the illustration below.

IMPORTANT NOTE: The top of the range must be level. Use the adjustable front legs and the rear casters to level the range.



Anti-tip bracket.

Oven Door Removal

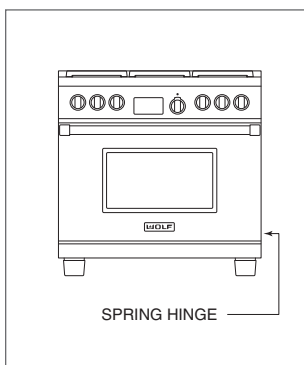
IMPORTANT NOTE: Remove the oven door(s) only if it is necessary to fit the range through a tight doorway. Removal may cause damage to the porcelain oven interior or the door(s). Door removal should be done by a qualified service technician or installer.

For removal, a hinge pin (supplied with the range) must be inserted in the appropriate hinge arm. For each oven door, only one hinge arm is spring loaded, requiring use of the hinge pin for removal of the oven door. The hinge pin can be found taped to the inside of the oven door.

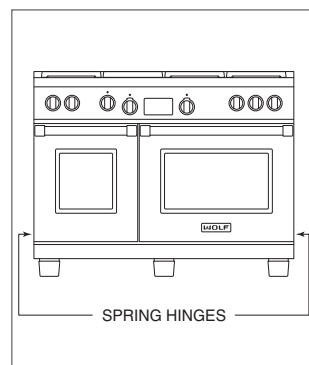
For single oven ranges, the hinge pin will be inserted through the hole in the right hinge arm (facing the range). For double oven ranges, the spring hinges are located on the outer edges of the unit. The left oven door will have the spring hinge on the left side and the right oven door will have the spring hinge on the right side. Refer to the illustrations below.

⚠ CAUTION

Failure to insert the hinge pin in the appropriate hinge arm will cause damage to the range.



Single oven ranges.



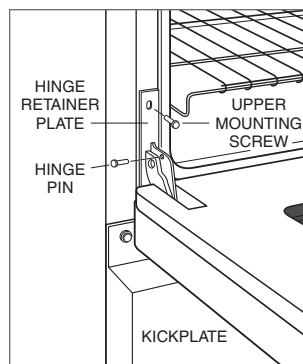
Double oven ranges.

OVEN DOOR REMOVAL

- 1) Remove the lower kickplate assembly to access the lower hinge retainer mounting screws.
- 2) Open the oven door all the way and remove both upper and lower hinge retainer mounting screws. The oven gasket may have to be moved slightly to access the bottom screws.
- 3) Move the hinge retainer plate forward slightly. The hinge retainer plate will remain on the door hinge after the mounting screws have been removed.
- 4) Insert the door hinge pin through the hole in the appropriate hinge arm. Refer to the illustration below.
- 5) Carefully close the oven door to approximately 60° from horizontal and lift the door away from the oven. A slight racking motion may be required for removal.

⚠ CAUTION

Do not lift or carry the oven door by the door handle.



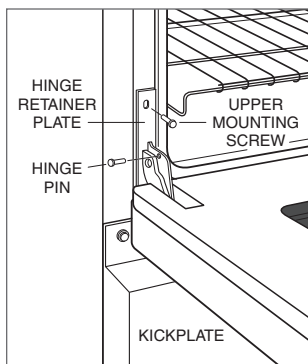
Oven door removal.

Oven Door Removal

OVEN DOOR REINSTALLATION

- 1) Hold the oven door on both sides and position it with door hinges aligned with openings in the oven frame.
- 2) Holding the oven door at an approximate 30° angle from vertical, slide the hinges into the openings until the bottom hinge arms drop fully into the hinge receptacles.
- 3) Open the oven door to its fully opened position. Remove the hinge pin from the appropriate hinge arm. Refer to the illustration below.
- 4) Reinstall the hinge retainer plate with upper and lower mounting screws.
- 5) Open and close the door completely to ensure that it is properly installed.
- 6) Reinstall the lower kickplate assembly.

IMPORTANT NOTE: Fully extend the hinge claw which is opposite the hinge pin location and insert into the hinge pocket prior to inserting opposite side. This will ease the installation of the oven door.



Oven door reinstallation.

Electrical Connection

⚠ WARNING

Verify that power is disconnected from the electrical box before proceeding.

The terminal block on the rear of the range allows for a 3-wire or 4-wire installation. For a 4-wire installation, the ground strap from the unit to the terminal block must be cut. Two concentric knockouts are provided to allow for permanent or cordset wiring of the unit.

THREE-WIRE ELECTRICAL SYSTEM

- 1) Where local codes permit, connect the ground appliance wire to the neutral (white) supply wire.
- 2) Connect the ground and white appliance wires to the neutral (white) supply wire in the electrical box.
- 3) Connect the black appliance wire to the black (L1) power supply wire in the electrical box.
- 4) Connect the red appliance wire to the red (L2) power supply wire in the electrical box.

FOUR-WIRE ELECTRICAL SYSTEM

- 1) Separate the ground and white appliance wires.
- 2) Connect the white appliance wire to the neutral (white) supply wire in the electrical box.
- 3) Connect the black appliance wire to the black (L1) power supply wire in the electrical box.
- 4) Connect the red appliance wire to the red (L2) power supply wire in the electrical box.
- 5) Connect the ground appliance wire to the green/ground house grounding wire in the electrical box.

Gas Supply Connection

⚠ CAUTION

Before connecting the gas supply, make sure all valves are in a closed position.

IMPORTANT NOTE: All connections to the gas piping must be wrench-tightened. Do not make connections too tight, this may crack the regulator and cause a gas leak. Do not allow the pipes to turn when tightening fittings.

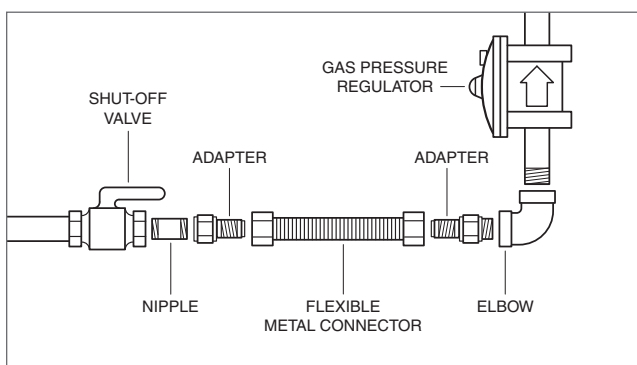
Assemble the flexible metal connector from the gas supply pipe to the gas pressure regulator. Determine the fittings required depending on the size of your gas supply line, flexible metal connector and shut-off valve. Refer to the illustration below. If a flexible metal connector is used, be sure the tubing is not kinked. Open the shut-off valve in the gas supply line. Wait a few minutes for the gas to move through the line.

GAS LEAK TESTING

Brush a liquid detergent solution onto all gas connections to test for leaks. Bubbles around connections will indicate a gas leak. If a leak appears, close the gas shut-off valve and adjust connections. Check for leaks again. Clean off the detergent solution.

⚠ WARNING

Never test for a gas leak with a match or other flame.



Gas supply line connection.

Range Removal

⚠ WARNING

Disconnect the electrical and gas supply connections before removing the range.

If removal of the dual fuel range is necessary for cleaning or service, shut off the gas supply. Disconnect the electrical and gas supply connections to the range. Remove the range. Reinstall in the reverse order and be sure to check gas connections for leaks.

Refer to the Wolf dual fuel ranges use & care guide for cleaning recommendations.

Verify Range Operation

IMPORTANT NOTE: Prior to operating the range, be sure to read the entire Wolf dual fuel ranges use & care guide included with the range for important safety, service and warranty information.

SURFACE BURNERS

Turn on the power supply to the range. Place the burner cap on each burner base and position the burner grates before lighting.

Surface burners of the dual fuel range use electronic igniters. When the control knob is pushed in and turned to the HIGH position, the system creates a spark to light the burner. This sparking continues until the electronic ignition senses a flame.

To check operation of the surface burners, push in and turn each control knob to the HIGH position. The flame should light within four seconds.

If the burners do not light properly, turn control knobs to the OFF position. Check that burner caps are in the proper position. Make sure electricity is being supplied to the range and that the gas shut-off valve is in the open position. Check operation again. If the burners still do not light properly, contact a Wolf authorized service center.

IMPORTANT NOTE: Initial lighting of the surface burners may take slightly longer, as air in the system must be purged before gas can be supplied to the burner.

OVEN OPERATION

Install the oven rack guides onto the shoulder screws located on the interior walls of the oven(s). Slide the oven racks onto the rack guides.

The control panel should be closed. Touch and slightly depress the flame graphic on the hidden control panel to open.

Set the time of day by pressing the CLOCK touch pad, scroll to the desired time by using the up or down arrows, then touch ENTER. After setting the time, the hidden control panel can be closed. The control panel does not have to be open to operate the oven(s).

Select any of the ten cooking modes by using the oven control knob bezel and turning to the desired mode. Once the mode has been selected, the temperature can be adjusted by turning the temperature readout knob—clockwise to increase temperature or counterclockwise to decrease temperature. Verify that the oven is coming up to temperature. For double oven ranges, verify operation for both ovens. Refer to the Wolf dual fuel ranges use & care guide for additional information.

IMPORTANT NOTE: A small amount of smoke and odor may be noticed during the initial break-in period.

Troubleshooting

IMPORTANT NOTE: If the dual fuel range does not operate properly, follow these troubleshooting steps:

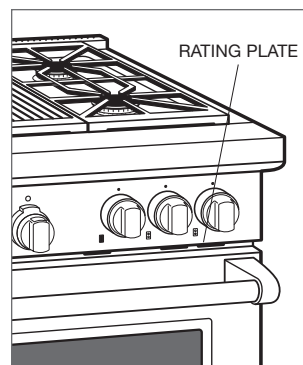
- Verify that electrical power is being supplied to the range.
- Check electrical and gas supply connections to ensure that the installation has been completed correctly.
- Check that the gas supply shut-off valve is in the open position.
- Follow troubleshooting procedures outlined in the Wolf dual fuel ranges use & care guide.
- If the range still does not operate properly, contact a Wolf authorized service center. Do not attempt to repair the range yourself. Wolf is not responsible for service required to correct a faulty installation.

Service Information

If service is necessary, maintain the quality built into your dual fuel range by calling a Wolf authorized service center.

To obtain the name and number of a Wolf authorized service center, check the contact & support section of our website, wolfappliance.com or call Wolf customer service at 800-332-9513.

When calling for service, you will need the model and serial numbers of the dual fuel range. Both numbers are listed on the product rating plate, located on the bottom of the control panel assembly, at the far right, just above the oven door. Refer to the illustration below.



Location of rating plate.



The information and images in this guide are the copyright property of Wolf Appliance, Inc. Neither this guide nor any information or images contained herein may be copied or used in whole or in part without the express written permission of Wolf Appliance, Inc. ©Wolf Appliance, Inc. all rights reserved.

Wolf, Wolf & Design, Wolf Gourmet, W & Design and the color red as applied to knobs are registered trademarks and service marks of Wolf Appliance, Inc. Sub-Zero, Sub-Zero & Design, Dual Refrigeration, Constant Care and The Living Kitchen are registered trademarks and service marks of Sub-Zero, Inc. (collectively, the "Company Marks.") All other trademarks or registered trademarks are property of their respective owners in the United States and other countries.



WOLF APPLIANCE, INC. P. O. BOX 44848 MADISON, WI 53744 WOLFAPPLIANCE.COM 800.332.9513

816980 REV-A

8/2010

