

INSTALLATION GUIDE

Cooktop Chimney Ventilation Hoods



Contents

Wolf Cooktop Chimney Ventilation Hoods	3
Cooktop Chimney Hood Specifications	4
Cooktop Chimney Hood Installation	10
Service Information	18

Features and specifications are subject to change at any time without notice. Visit wolfappliance.com/specs for the most up-to-date information.

IMPORTANT NOTE: Throughout this guide, dimensions in parentheses are millimeters unless otherwise specified.

Important Note

To ensure the safe and efficient use of Wolf equipment, please take note of the following types of highlighted information throughout this guide:

IMPORTANT NOTE highlights information that is especially important.

CAUTION signals a situation where minor injury or product damage may occur if instructions are not followed.

WARNING states a hazard that may cause serious injury or death if precautions are not followed.



Cooktop Chimney Hood Installation

IMPORTANT NOTE: This installation must be completed by a qualified installer or Wolf factory certified service.

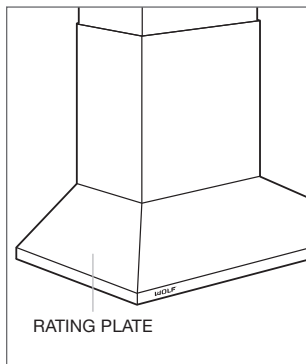
Read this entire installation guide prior to installation and save for the local inspector's reference. The homeowner should keep this installation guide for future reference.

This appliance must be installed in accordance with National Electrical Codes, as well as all state, municipal and local codes. The correct voltage, frequency and amperage must be supplied to the appliance from a dedicated, grounded circuit which is protected by a properly sized circuit breaker or time delay fuse. The proper voltage, frequency and amperage ratings are listed on the product rating plate.

Record the model and serial numbers before installing the ventilation hood. Both numbers are listed on the product rating plate, located inside the left wall of the hood shell, above the filter. The filter must be removed to access the rating plate. Refer to the illustration below.

IMPORTANT NOTE: Wolf cooktop chimney hoods are recommended for use with Wolf induction, electric and gas cooktops and integrated modules. For ranges and rangetops, a Wolf pro ventilation hood is recommended.

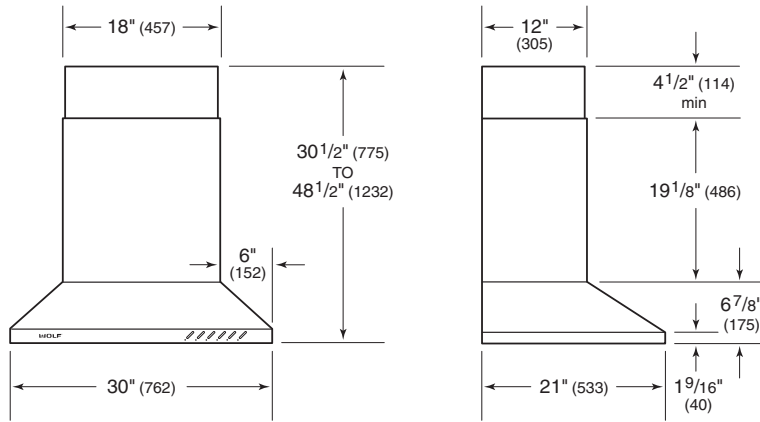
Wolf Cooktop Chimney Hood
Model Number
Serial Number



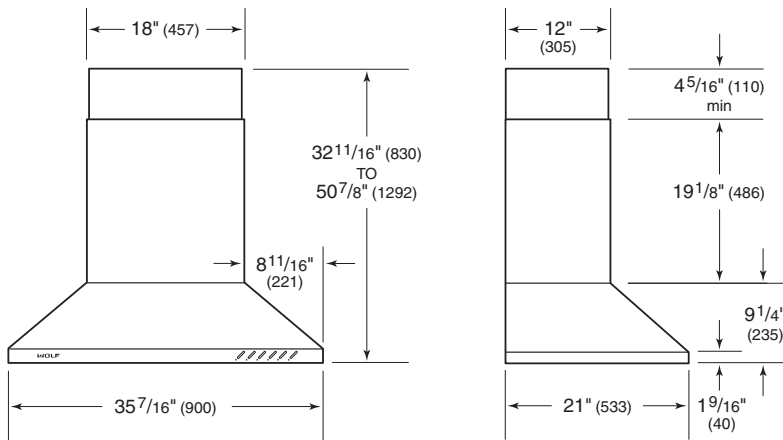
Location of rating plate.
(inside hood).

Overall Dimensions

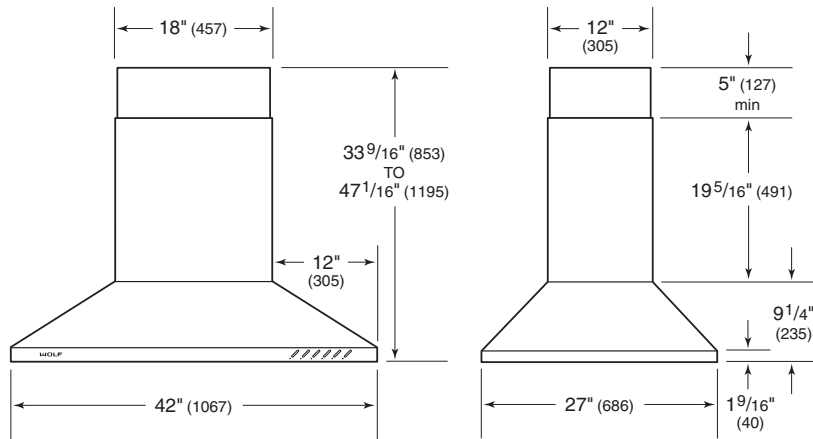
30" (762) WALL HOOD



36" (914) WALL HOOD



42" (1067) ISLAND HOOD



Hood Placement

Wolf cooktop chimney wall and island hoods come with a telescopic chimney flue that allows you to reach a ceiling height of 8' (2.4 m) to 9' (2.7 m) with a finished look. A flue extension to accommodate 10' (3 m) ceilings is available through your authorized Wolf dealer. For local dealer information, visit the find a showroom section of our website, wolfappliance.com.

Installation of the cooktop chimney hood should be 24" (610) to 30" (762) from the bottom of the hood to the countertop. To determine placement of the hood, you must calculate the height of the telescopic chimney flue. The minimum and maximum flue extension for each cooktop chimney hood is listed in the chart.

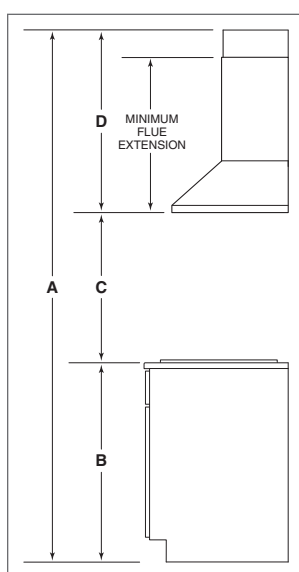
Both sections of the telescopic chimney flue must be installed in order for the chimney to be lifted for service.

IMPORTANT NOTE: 8' (2.4 m) ceilings may not permit installation of the wall or island hood at 30" (762) above the countertop.

CALCULATE CHIMNEY FLUE HEIGHT

- A) Height from finished floor to finished ceiling. 8' (2.4 m) or 9' (2.7 m) ceilings are typical.
- B) Height from finished floor to countertop. A 36" (914) countertop height is standard.
- C) Hood mounting height (bottom of hood to countertop). Dimension C must be between 24" (610) and 30" (762). 8' (2.4 m) ceilings may not allow the maximum 30" (762) hood mounting height.
- D) Calculate chimney flue height: $D = A - (B + C)$. Dimension D must be between the minimum and maximum flue extension listed in the chart. Refer to the illustration.

Cooktop Chimney Hoods		
FLUE EXTENSION	MINIMUM	MAXIMUM
CTWH30	30 ¹ / ₂ " (775)	48 ¹ / ₂ " (1232)
CTWH36	32 ⁵ / ₈ " (829)	50 ⁷ / ₈ " (1292)
IH4227	33 ¹ / ₂ " (851)	47" (1194)



Hood placement.

Before You Start

- Proper installation is the responsibility of the installer. Product failure due to improper installation is not covered under the Wolf warranty. Refer to the cooktop chimney ventilation hoods use & care information for warranty details, or visit the contact & support section of our website, wolfappliance.com.
- Make sure you have the tools and materials necessary for proper installation.
- Any required service must be performed by a Wolf authorized service center. Wolf is not responsible for service required to correct a faulty installation.
- Wolf cooktop chimney hoods are shipped without the blower assembly. Internal, in-line and remote blowers are available through your authorized Wolf dealer.

Installation Considerations

Wolf cooktop chimney hoods are recommended for use with Wolf induction, electric and gas cooktops and integrated modules.

Cooktop chimney wall and island hoods are shipped without the blower assembly. Internal, in-line and remote blowers are available through your authorized Wolf dealer. For local dealer information, visit the find a showroom section of our website, wolfappliance.com.

The blower will vary in size and is dictated by the cooking unit, the volume of air that needs to be moved and the length of the duct run. Refer to ventilation recommendations in the Wolf design guide. These hoods have an 8" (203) round duct with vertical discharge.

IMPORTANT NOTE: Use only a Wolf blower with the cooktop chimney hood.

BACKSPLASH

Optional stainless steel backsplashes are available in widths to match cooktop chimney wall hoods through your authorized Wolf dealer. For local dealer information, visit the find a showroom section of our website, wolfappliance.com.

Electrical Requirements

Wolf cooktop chimney hoods require a separate, grounded 120 V AC, 60 Hz power supply. The service should have its own 15 amp circuit breaker.

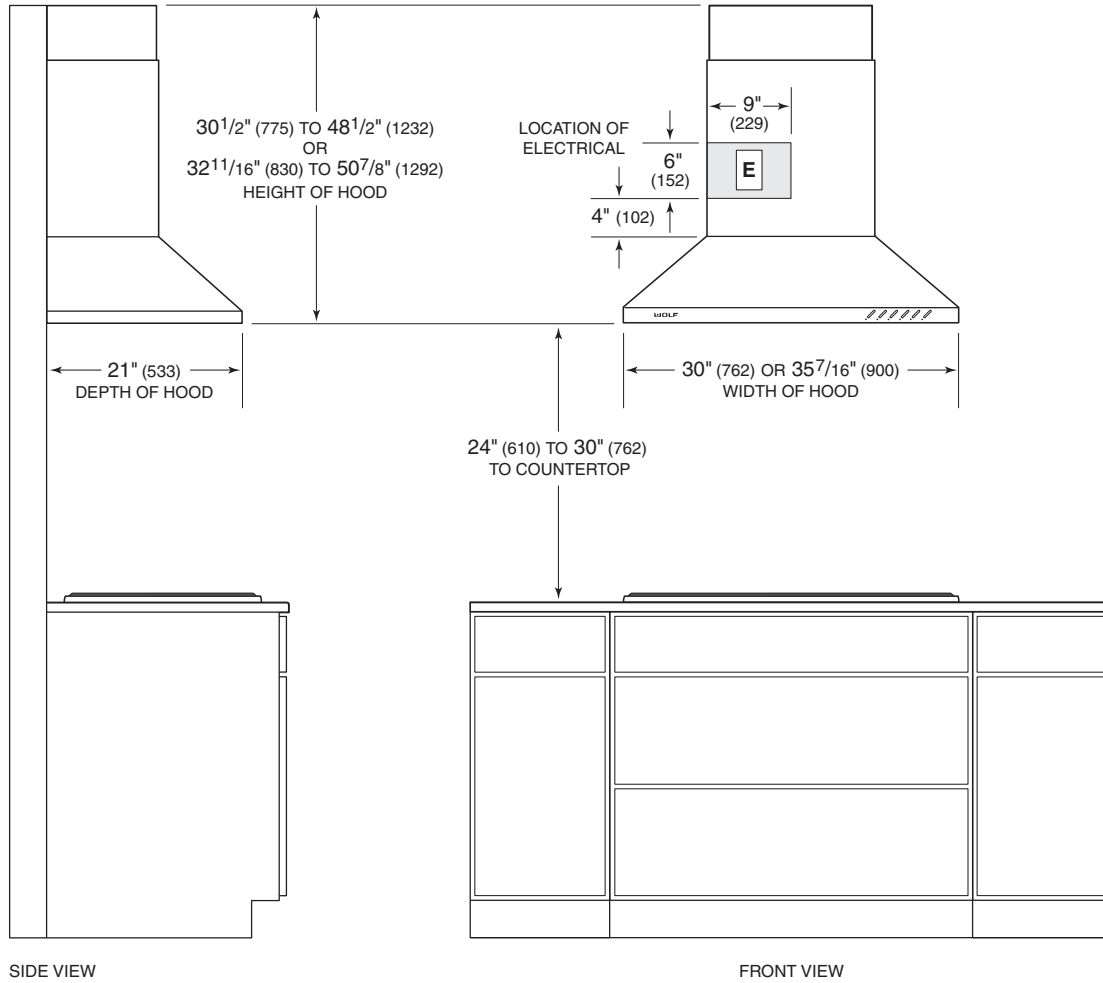
Locate the electrical supply within the shaded area shown in the installation illustration for your specific model on the following pages.

For wall hoods, allow a minimum of 12" (305) Romex® wire from the electrical supply location on the wall for wiring connections. For the island hood, allow a minimum of 6' (1.8) Romex® wire from the electrical supply location on the ceiling for wiring connections.

IMPORTANT NOTE: You must follow all National Electrical Code regulations. In addition, be aware of local codes and ordinances when installing your service.

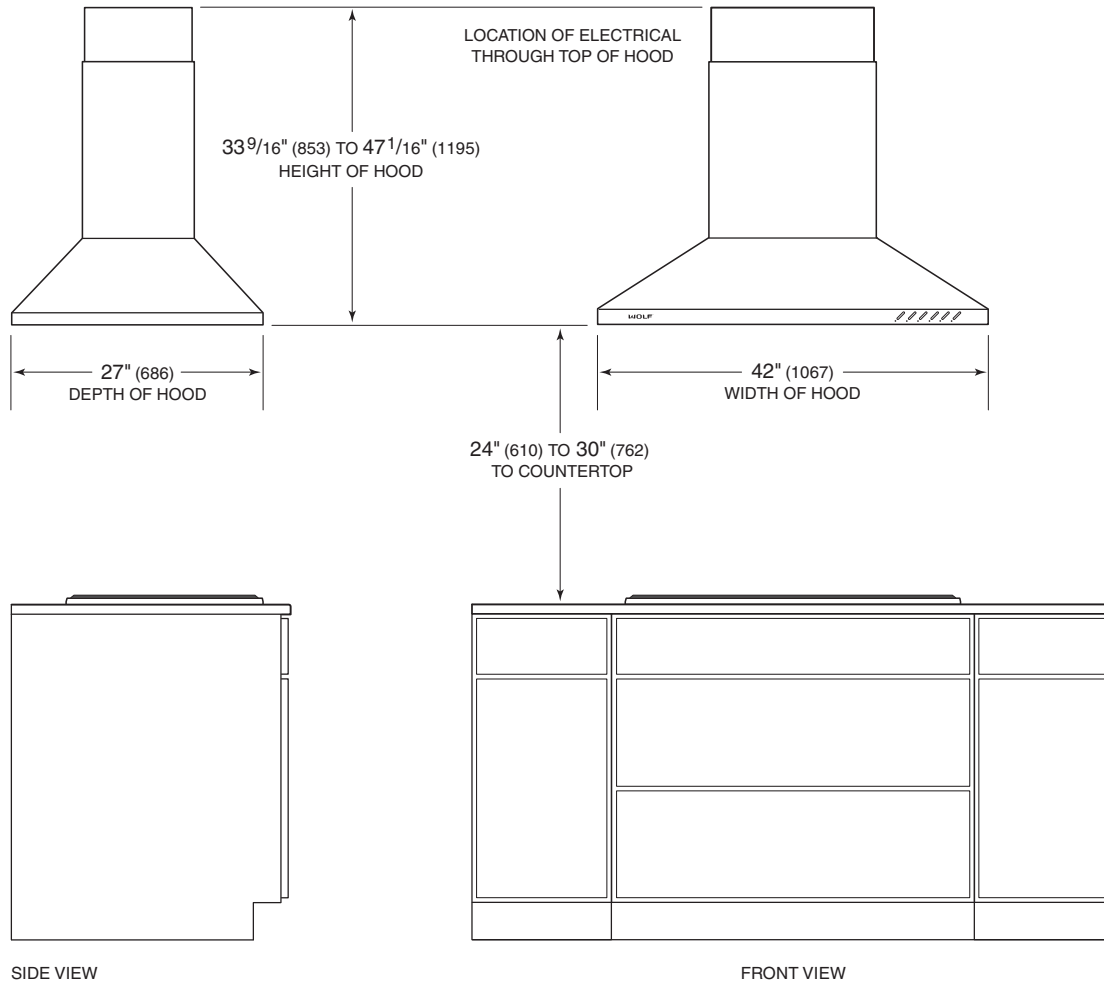
Installation

CHIMNEY WALL HOODS



Installation

CHIMNEY ISLAND HOOD



Install Ductwork

⚠ WARNING

To reduce the risk of fire, use only metal ductwork.

IMPORTANT NOTE: Cooktop chimney ventilation hoods must exhaust to the outdoors.

An 8" (203) round duct is recommended for cooktop chimney hoods. Use only rigid metal ductwork, do not use flex ducting.

Decide where the ductwork will run between the wall hood and the outside. A straight, short duct run will allow the hood to perform most efficiently. Limit the number of elbows and transitions. The duct run should be no longer than 50' (15 m). There is a possibility of noise issues, if a remote blower is used with a short duct run.

Wolf recommends installing a backdraft damper in all installations. A backdraft damper is included with the hood. It is built into the transition from the hood to the duct run. In cold weather installations a backdraft damper is necessary to minimize the backflow of cold air into the room.

Unless you are using a remote blower, a roof or wall cap must be installed. Connect ductwork to the cap and work back towards the hood. Use duct sealing tape to seal joints between ductwork sections. Refer to the illustrations on the following page.

Local building codes may require the use of make-up air. Consult your local HVAC professional for specific requirements in your area.

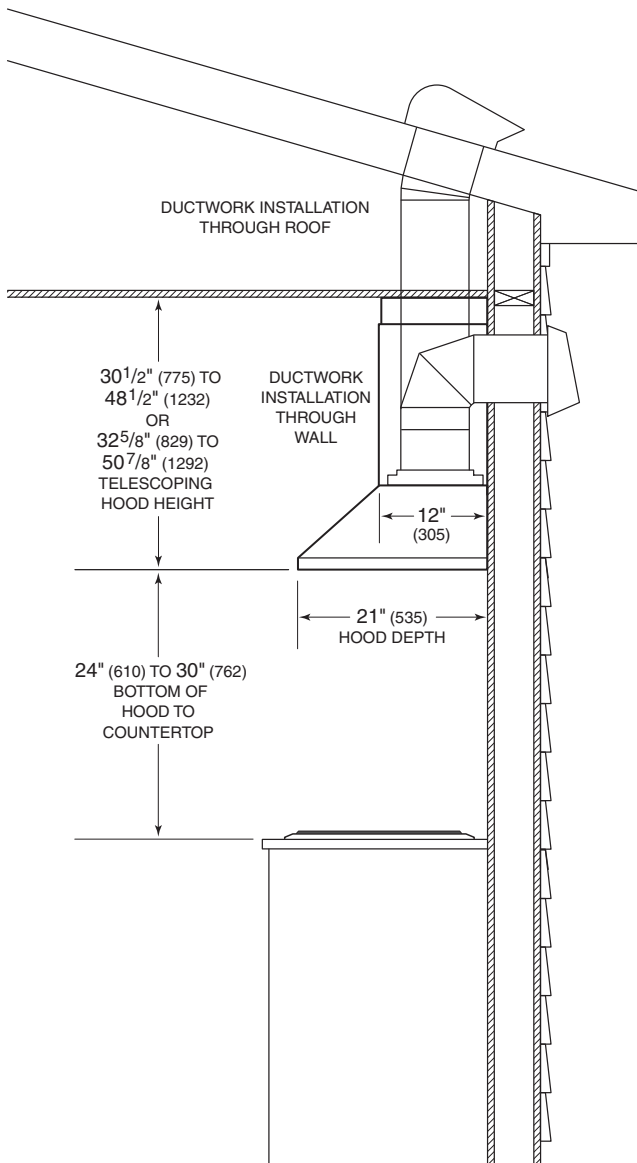
IMPORTANT NOTE: Consult a qualified HVAC engineer for specific ducting applications.

⚠ CAUTION

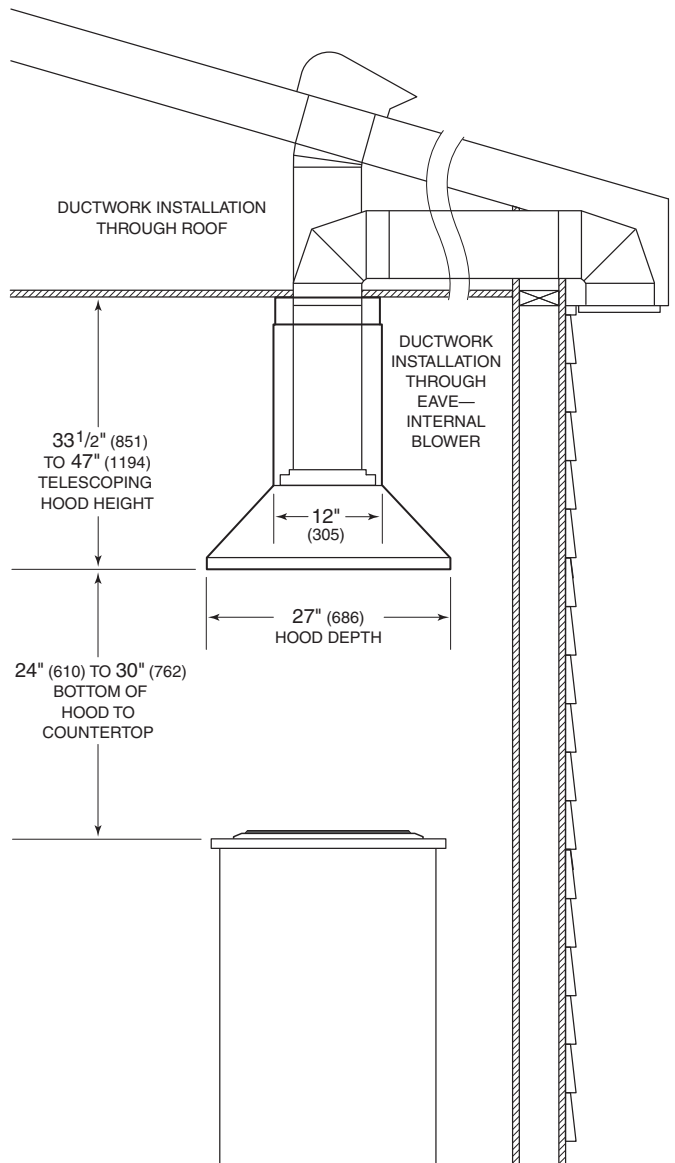
To reduce the risk of fire and electric shock, install this ventilation hood only with a Wolf blower.

Install Ductwork

CHIMNEY WALL HOODS



CHIMNEY ISLAND HOOD



Wall Hood Installation

Locate the electrical supply for the wall hood through the wall within the shaded area shown in the illustration on page 8. Install ductwork as specified on pages 10–11.

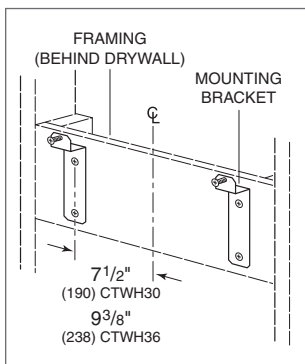
IMPORTANT NOTE: If a backsplash is to be used, it should be installed prior to mounting the wall hood. Secure the hood mounting brackets to the wall studs prior to installing the backsplash. Refer to installation instructions provided with the backsplash.

INSTALL MOUNTING BRACKETS

IMPORTANT NOTE: Wolf recommends that the bottom of the ventilation hood be installed 24" (610) to 30" (762) above the countertop.

Construct wall framing that is flush with the interior surface of the wall studs. Make sure that the framing is centered in the hood installation location, and that the height of the framing will allow the mounting brackets to be secured to the framing within the dimensions shown in the illustration below.

After the wall surface is finished, secure the mounting brackets to the framing using the dimensions shown.

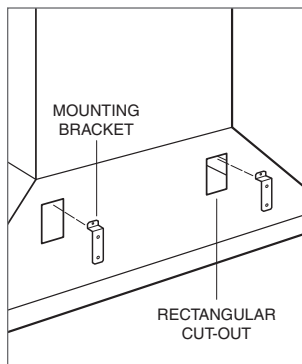


Install mounting brackets.

INSTALL HOOD

Hang the wall hood from the brackets through the rectangular cut-outs on the back of the hood. Refer to the illustration below. The cut-outs are larger than the brackets to allow for vertical and horizontal adjustment.

Use height adjustment screws to adjust the hood vertically and the depth adjustment screws to adjust the hood horizontally. Secure the hood with additional mounting screws.



Install hood.

Wall Hood Installation

WIRING CONNECTIONS

Electrical connection at the hood:

- 1) Remove the cover from the rear electrical box. Remove the electrical box knockout that faces the hood's discharge collar.
- 2) Insert 6" (152) Romex® wire through the knockout opening. Secure the Romex® wire to the electrical box with an appropriate connector. Use wire connectors or wire nuts approved by UL or C/UL.
- 3) Make electrical connections at the hood. Connect black to black, white to white and green/yellow to green or bare wire.
- 4) Place all wiring connections inside the electrical box and reinstall the cover. Make sure all wires are secure and that no wires are pinched between the cover and electrical box.

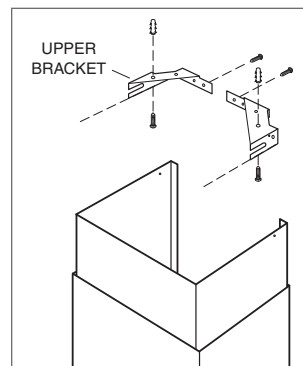
Refer to page 13–15 for internal blower installation and remote blower wiring.

ATTACH CHIMNEY FLUE

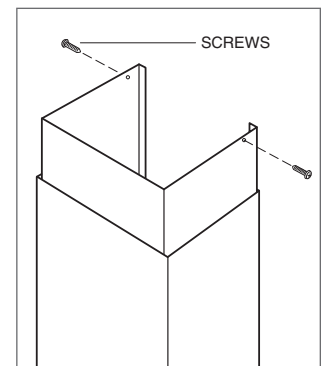
Use the screws and wall anchors provided to secure the upper brackets for the chimney flue to the ceiling. Position the upper brackets based on the dimensions of the chimney flue. Refer to the illustration below.

Use 8" (203) round metal duct to connect the duct collar on the hood to the ductwork above. Use duct sealing tape to make all joints secure and air tight.

Fasten the upper section of the telescopic chimney flue to the brackets with the screws provided. Refer to the illustration below. Nest the bottom of the chimney flue into the relief in the hood shell.



Upper brackets.



Chimney flue.

Island Hood Installation

Locate the electrical supply for the island hood through the ceiling within the dimensions of the chimney flue. Install ductwork as specified on pages 10–11.

INSTALL SUPPORT SYSTEM

IMPORTANT NOTE: Wolf recommends that the bottom of the ventilation hood be installed 24" (610) to 30" (762) above the countertop.

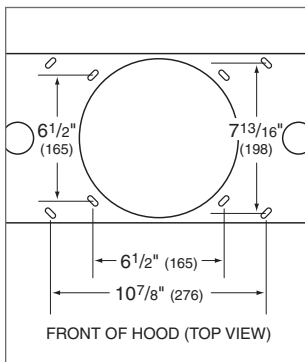
At the island hood installation location, install 2" (51) x 4" (102) or 3/4" (19) plywood cross framing between ceiling joists. Refer to the island hood mounting pattern dimensions below.

Finish the ceiling surface. Be sure to mark the location of the ceiling joists and cross framing.

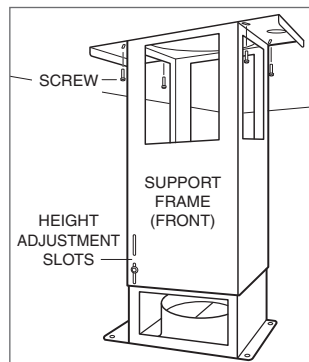
Determine the desired orientation of the island hood. Note that the front designates the control side of the hood.

Secure the upper half of the support frame to the joists and cross framing with four screws (provided). Make sure that the screws are driven into the center of the joists and framing for maximum strength. Ensure the correct orientation of the support frame. Refer to the illustration below.

Adjust the overall height of the support frame. Loosen and retighten the screws in the height adjustment slots as necessary.



Mounting pattern.



Support frame.

IMPORTANT NOTE: The hood height is 11 1/4" (286) from the support frame attachment point.

CONNECT CHIMNEY FLUE

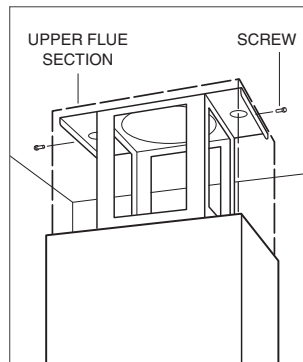
Secure the upper chimney flue section to the upper support frame with the screws provided. Refer to the illustration below.

Temporarily hold the lower chimney flue section over the upper flue section.

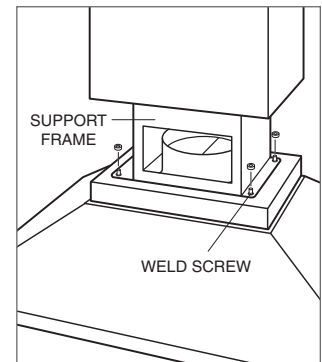
MOUNT HOOD TO SUPPORT FRAME

Mount the hood to the support frame by aligning the four weld screws on the hood to the four holes on the support frame. Use four nuts (provided) to secure the hood to the support frame. Refer to the illustration below.

Nest the bottom of the telescopic chimney flue into the relief in the hood shell. Make electrical connections.



Upper flue section.



Mount hood to support frame.

Island Hood Installation

WIRING CONNECTIONS

Electrical connection at the hood:

- 1) Remove the cover from the rear electrical box. Remove the electrical box knockout that faces the hood's discharge collar.
- 2) Insert 6" (152) Romex® wire through the knockout opening. Secure the Romex® wire to the electrical box with an appropriate connector. Use wire connectors or wire nuts approved by UL or C/UL.
- 3) Make electrical connections at the hood. Connect black to black, white to white and green/yellow to green or bare wire.
- 4) Place all wiring connections inside the electrical box and reinstall the cover. Make sure all wires are secure and that no wires are pinched between the cover and electrical box.

Refer to page 13–15 for internal blower installation and remote blower wiring.

CONNECT DUCTWORK

Use 8" (203) round metal duct to connect the duct collar on the hood to the ductwork above. Use duct sealing tape to make all joints secure and air tight.

Slide the lower telescopic chimney flue section downward until it fits properly around the hood shell.

Internal Blower

INTERNAL BLOWER INSTALLATION

IMPORTANT NOTE: Refer to installation instructions provided with the internal blower assembly for additional mounting and wiring instructions.

- 1) Remove the hood filters.
- 2) Lift the blower into position inside the hood.
- 3) Use four hex nuts provided with the blower to fasten the unit to four threaded studs.
- 4) Plug the blowers' single power cord (double for 900 CFM) into the receptacle(s) inside the hood. Use the clip on the hood to keep excess power cord away from moving parts.
- 5) Reinstall the hood filters.

IMPORTANT NOTE: Before turning the power on to the ventilation hood, make sure the blower is off.

In-Line and Remote Blowers

BLOWER INSTALLATION

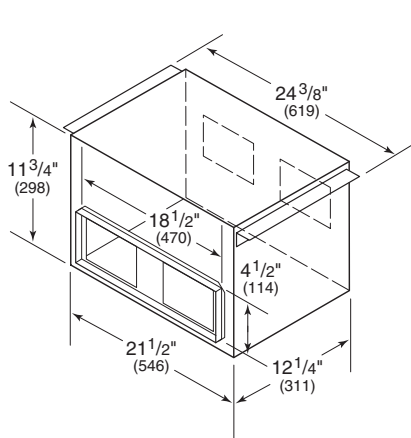
IMPORTANT NOTE: Refer to specific installation instructions provided with each blower assembly for additional mounting and wiring instructions.

Locate the blower so that the length of the duct run and number of elbows and transitions are kept to a minimum. The duct run should be no longer than 50' (15 m). Remote blowers should be located between wall studs or roof rafters. Avoid pipes, wires and other ductwork.

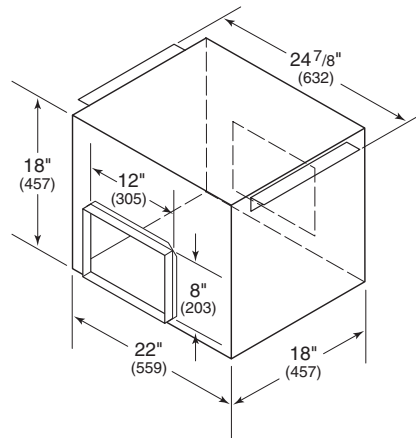
Allow enough space for transitions needed between the blower and connecting ductwork. For best performance, locate transitions nearest the blower.

Refer to the illustrations below for overall dimensions of Wolf in-line and remote blowers. Installation instructions shipped with each Wolf ventilation product provide detailed specifications. These instructions can also be found on our website, wolfappliance.com/specs.

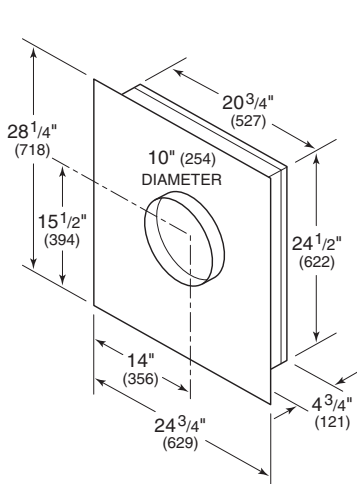
IN-LINE AND REMOTE BLOWER DIMENSIONS



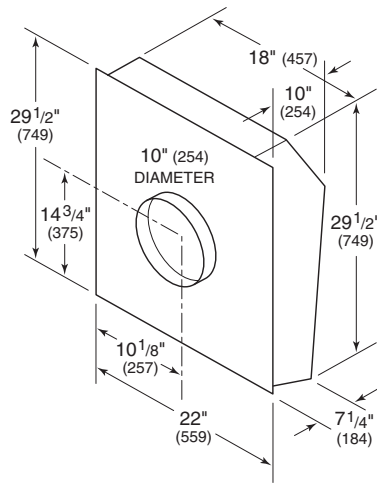
600 CFM in-line blower.



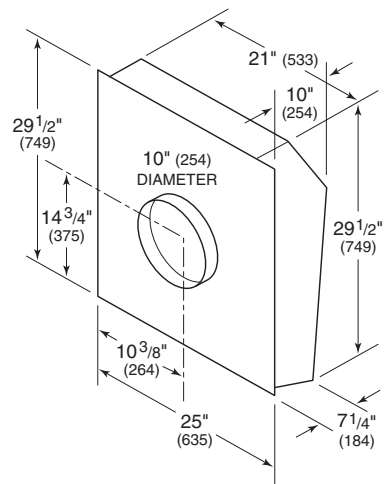
1100 CFM in-line blower.



600 CFM and 900 CFM remote blower.



1200 CFM remote blower.



1500 CFM remote blower.

In-Line and Remote Blowers

IN-LINE OR REMOTE BLOWER WIRING

IMPORTANT NOTE: Refer to installation instructions provided with the in-line or remote blower assembly for additional mounting and wiring instructions.

Blower connection at the hood:

- 1) Remove the cover from the front of the electrical box. Remove the electrical box knockout that faces the hood's discharge collar.
- 2) Disconnect the red and black or white wires using a flat-blade screwdriver.
- 3) Insert 6" (152) Romex® wire through the knockout opening. Secure the Romex® wire to the electrical box with an appropriate connector. Use wire connectors or wire nuts approved by UL or C/UL.
- 4) Attach the remote blower wiring where wires were removed in step 2. Attach white to white, black to red, and ground to yellow.
- 5) Place all wiring connections inside the electrical box and reinstall the cover. Make sure all wires are secure and that no wires are pinched between the cover and electrical box.

IMPORTANT NOTE: Before turning the power on to the ventilation hood, make sure the blower is off.

Troubleshooting

IMPORTANT NOTE: If the ventilation hood does not operate properly, follow these troubleshooting steps:

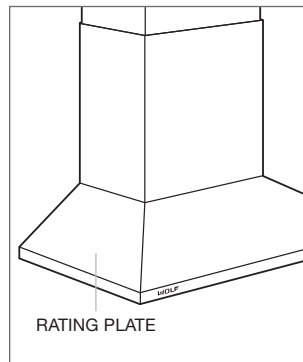
- Verify that electrical power is being supplied to the ventilation hood.
- Check electrical connections to ensure that the installation has been completed correctly.
- Refer to the troubleshooting guide in the Wolf cooktop chimney ventilation hoods use & care guide.
- If the ventilation hood still does not operate properly, contact Wolf factory certified service. Do not attempt to repair the hood yourself. Wolf is not responsible for service required to correct a faulty installation.

Service Information

If service is necessary, maintain the quality built into your ventilation hood by contacting Wolf factory certified service.

For the name and number of Wolf factory certified service nearest you, check the contact & support section of our website, wolfappliance.com or call Wolf customer care at 800-222-7820.

When calling for service, you will need the model and serial numbers of the ventilation hood. Both numbers are listed on the product rating plate, located inside the left wall of the hood shell, above the filter. The filter must be removed to access the rating plate. Refer to the illustration below.



Location of rating plate.
(inside hood).



The information and images in this guide are the copyright property of Wolf Appliance, Inc. Neither this guide nor any information or images contained herein may be copied or used in whole or in part without the express written permission of Wolf Appliance, Inc. ©Wolf Appliance, Inc. all rights reserved.

Wolf, Wolf & Design, Wolf Gourmet, W & Design and the color red as applied to knobs are registered trademarks and service marks of Wolf Appliance, Inc. Sub-Zero, Sub-Zero & Design, Dual Refrigeration, Constant Care and The Living Kitchen are registered trademarks and service marks of Sub-Zero, Inc. (collectively, the "Company Marks.") All other trademarks or registered trademarks are property of their respective owners in the United States and other countries.



WOLF APPLIANCE, INC. P. O. BOX 44848 MADISON, WI 53744 WOLFAPPLIANCE.COM 800.222.7820

820619 REV-A

11/2011

