



New Designer Series Refrigeration/Wine Storage *Design Guide*

REVISED 1/2022



Contents

3	New Designer Series Models
4	Overall Dimensions
6	Opening Dimensions
7	Electrical Requirements
8	Plumbing Requirements
9	Custom Panels
12	Wine Rack Wood Facing
13	Warranty



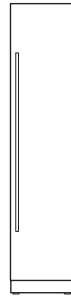
Features and specifications are subject to change at any time without notice. Visit subzero.com/specs for the most up-to-date information.

Throughout this guide, dimensions may vary by $\pm 1/8$ " (3). Dimensions in parentheses are millimeters unless otherwise specified.

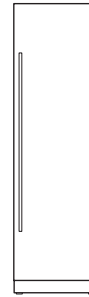
New Designer Series Models

With custom front panels and hardware, Sub-Zero Designer columns, tall, and wine models disappear into the decor. Designer units fit flush with cabinetry, making Designer series refrigeration and wine storage as practical and beautiful in the master suite, bar, or theatre room as in the kitchen.

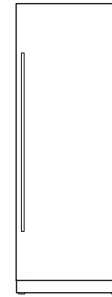
COLUMN MODELS



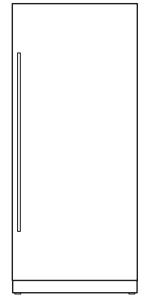
DEC1850FI



DEC2450R
DEC2450FI

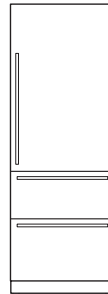


DEC3050R(ID)
DEC3050FI



DEC3650C(ID)
DEC3650FI

TALL MODELS

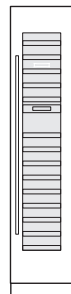


DET3050R(ID)
DET3050C(ID)
DET3050FI



DET3650R(ID)
DET3650C(ID)

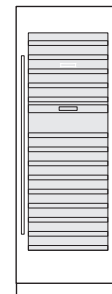
WINE MODELS



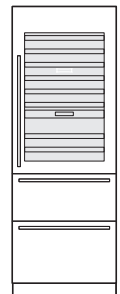
DEC1850W



DEC2450W



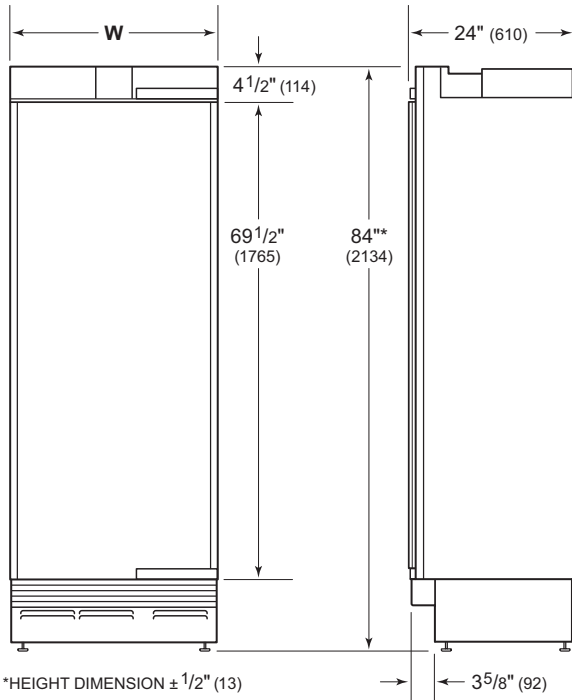
DEC3050W



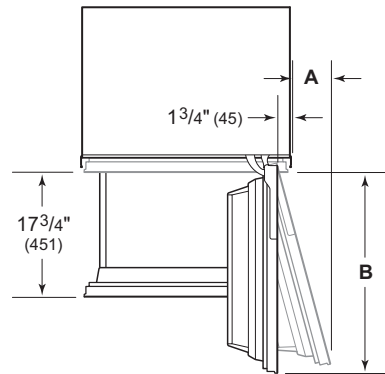
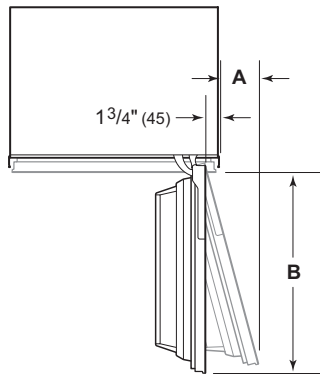
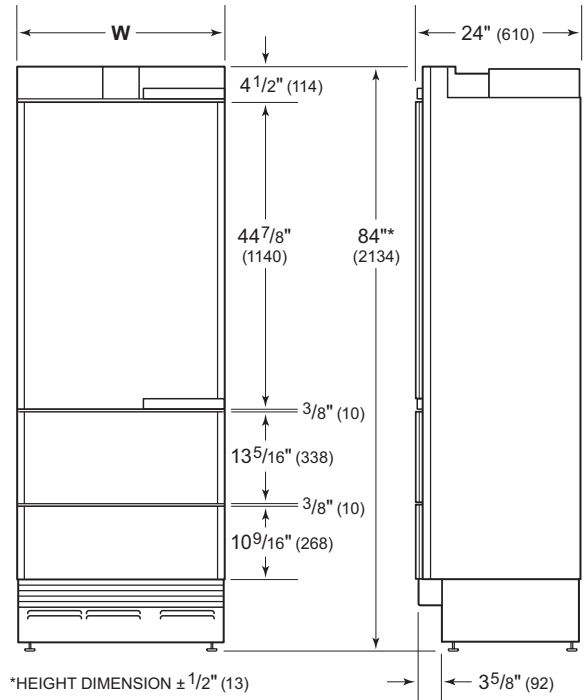
DET3050WR
DET3050WCI

Overall Dimensions

COLUMN



TALL



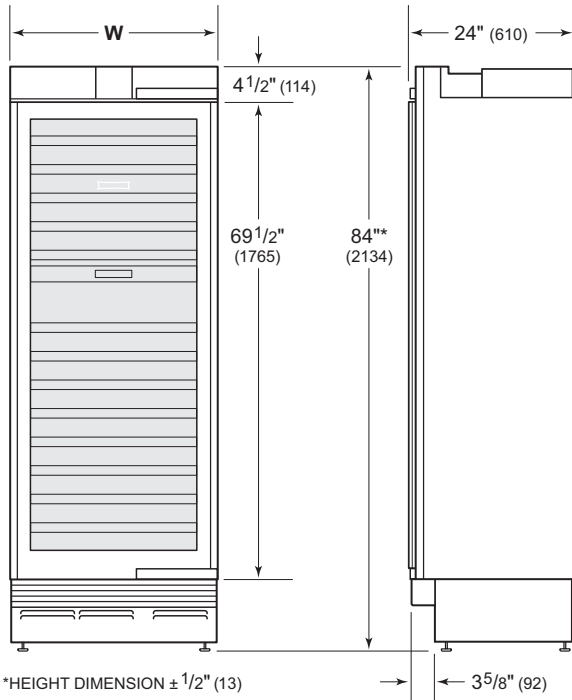
COLUMN	W	A	B
18" Column	18" (457)	2 1/2" (64)	16 1/2" (419)
24" Column	24" (610)	4" (102)	22 1/2" (572)
30" Column	30" (762)	5 5/8" (143)	28 1/2" (724)
36" Column	36" (914)	7 1/4" (184)	34 1/2" (876)

TALL	W	A	B
30" Tall	30" (762)	5 5/8" (143)	28 1/2" (724)
36" Tall	36" (914)	7 1/4" (184)	34 1/2" (876)

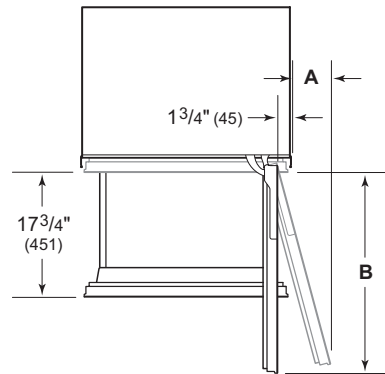
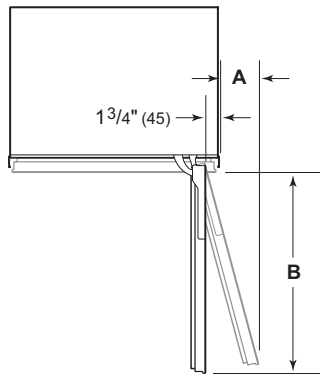
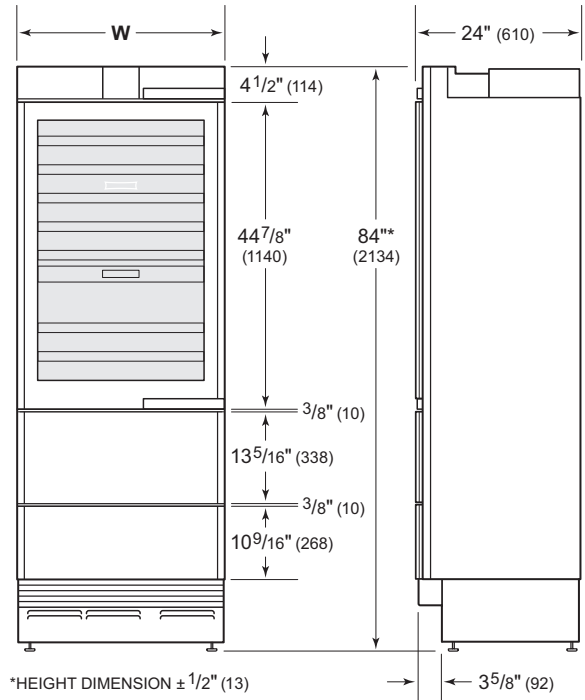
IMPORTANT NOTE: Overall dimensions do not include panels or handles. Dimensions will vary with panel thickness.

Overall Dimensions

COLUMN WINE



TALL WINE



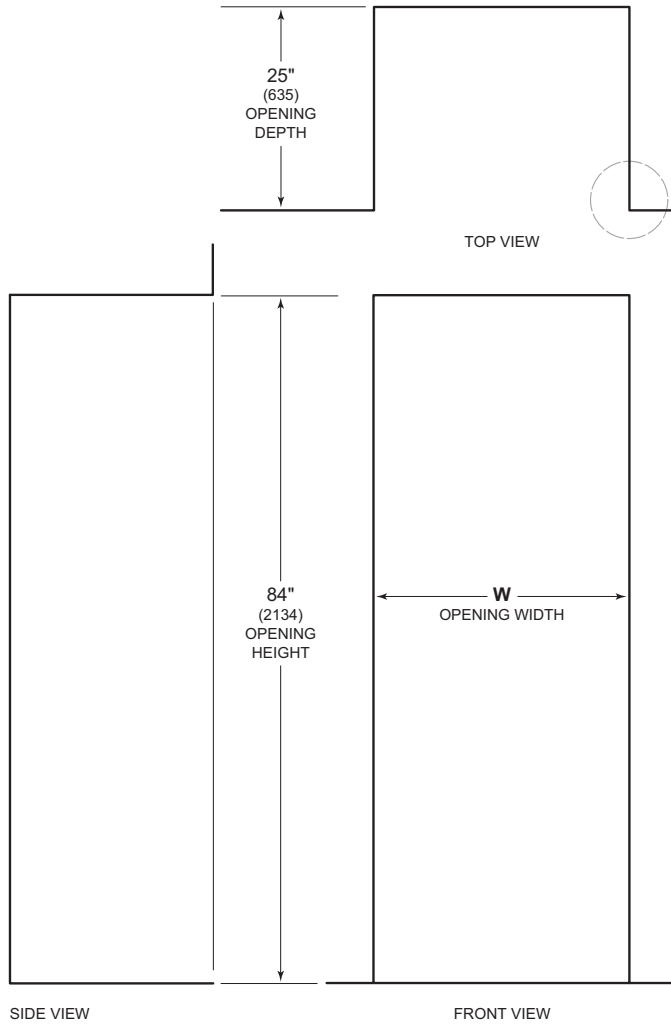
COLUMN	W	A	B
18" Column	18" (457)	2½" (64)	16½" (419)
24" Column	24" (610)	4" (102)	22½" (572)
30" Column	30" (762)	5⅝" (143)	28½" (724)

TALL	W	A	B
30" Tall	30" (762)	5⅝" (143)	28½" (724)

IMPORTANT NOTE: Overall dimensions do not include panels or handles. Dimensions will vary with panel thickness.

Opening Dimensions

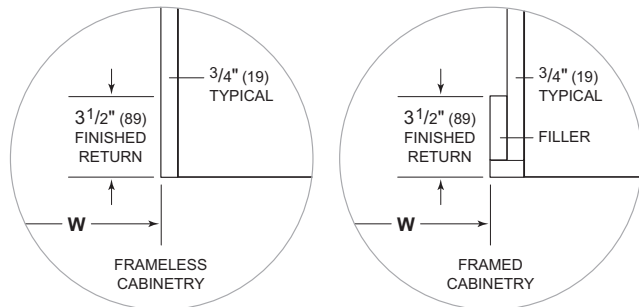
DESIGNER MODELS



SIDE VIEW

FRONT VIEW

NOTE: 3 1/2" (89) finished returns will be visible and should be finished to match cabinetry.



OPENING DIMENSIONS

	W	H
18" Column	18" (457)	84" (2134)
24" Column	24" (610)	84" (2134)
30" Column / Tall	30" (762)	84" (2134)
36" Column / Tall	36" (914)	84" (2134)

The depth of each designer model is 24" (610). Allow for panel thickness when planning the finished opening depth. A minimum 3 1/2" (89) finished return is required on all sides of the opening. Framed cabinets require additional finished filler material behind the face frame for a proper installation. Refer to the illustration.

DUAL INSTALLATION

When installing two units side by side in a dual installation, the opening width is the width of the two units added together. A dual installation kit is required for this installation. If a dual installation kit is not specified, a minimum 2" (51) filler strip is required between the units.

Dual installation kits are available through an authorized Sub-Zero dealer. For questions regarding the installation, call Sub-Zero Customer Care at 800-222-7820.

Electrical Requirements

Installation must comply with all applicable electrical codes.

The electrical supply must be located within the shaded area shown in the illustration and chart below. A separate circuit servicing only this appliance is required. A ground fault circuit interrupter (GFCI) is not recommended and may cause interruption of operation.

The electrical outlet must be positioned with the grounding prong to the right of the thinner blades.

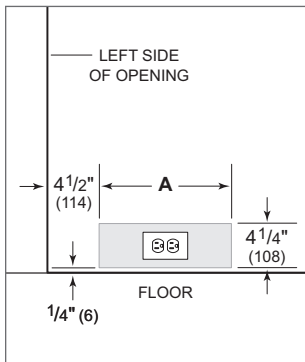
ELECTRICAL REQUIREMENTS

Electrical Supply	115 VAC, 60 Hz
Service	15 amp dedicated circuit
Receptacle	3-prong grounding-type

ELECTRICAL SUPPLY LOCATION

A

18" Model	6" (152)
24" Model	9½" (241)
30" Model	12½" (318)
36" Model	15½" (394)



Electrical supply location

Plumbing Requirements

Installation must comply with all applicable plumbing codes.

Locate the water supply line within the shaded area shown in the illustration below. Connect the water supply line to the house supply with an easily accessible shut-off valve. Do not use self-piercing valves. The water supply line must not interfere with the installation of the anti-tip bracket.

Column and tall models with an ice maker or water dispenser feature a water filtration system.

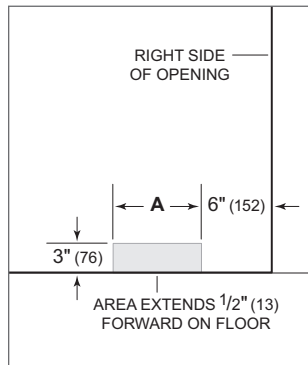
A reverse osmosis system can be used provided there is constant water pressure of 35–120 psi (2.4–8.3 bar) supplied to the unit at all times. A copper line is not recommended for this application.

PLUMBING REQUIREMENTS

Water Supply Line	1/4" OD copper, braided stainless steel, or PEX tubing
Water Pressure	35–120 psi (2.4–8.3 bar)
Excess Water Line for Connection	36" (914)

WATER SUPPLY LOCATION

	A
18" Model	3" (76)
24" Model	5 1/2" (140)
30" Model	6" (152)
36" Model	9" (229)



Water supply location

Stainless Steel Panels

The thickness of the stainless steel panels is $\frac{3}{4}$ " (19). The depth of each designer model is 24" (610). Allow for panel thickness when planning the finished opening depth. Reveals of $\frac{1}{8}$ " (3) are typical.

Custom Panels

For designer models, custom door/drawer panels and handle hardware must be installed.

Do not install a solid panel on the glass door unit. A solid door is available as a sales accessory through an authorized Sub-Zero dealer.

The thickness of the custom panel can vary. A minimum $\frac{5}{8}$ " (16) thick panel is required, but the thickness can be increased provided it does not exceed the maximum panel weight indicated in the chart below. The depth of each designer model is 24" (610). Allow for panel thickness when planning the finished opening depth.

MAXIMUM PANEL WEIGHT

18" Column Door	45 lb (20 kg)
24" Column Door	60 lb (27 kg)
30" Column Door	75 lb (34 kg)
36" Column Door	75 lb (34 kg)
30" Tall Door	50 lb (22 kg)
36" Tall Door	60 lb (27 kg)
Tall Drawers (per panel)	15 lb (7 kg)

Reveals between panels can vary, $\frac{1}{8}$ " (3) reveals are typical.

⚠ CAUTION

As reveals between cabinetry and the unit decrease, severe finger pinching can occur while the door is closing.

Finish all sides of the custom panels. They will be visible when the door/drawer is open.

D-style handles are recommended. Locate the door handle near the edge of the panel opposite the hinge and centered top to bottom. Locate the drawer handles near the top edge of each panel.

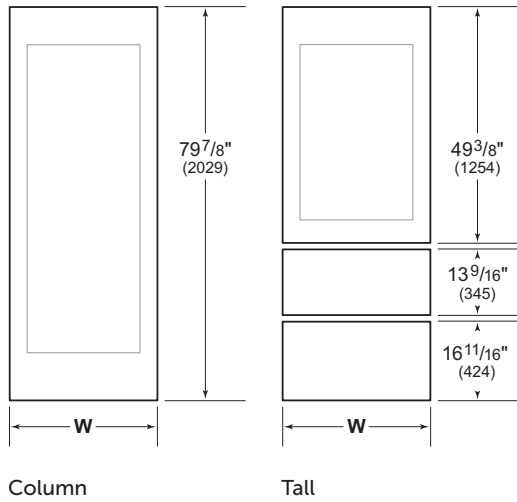
STANDARD HANDLES

Optional stainless steel tubular and pro handles in standard lengths are available through an authorized Sub-Zero dealer. Refer to the chart below. For local dealer information, visit the find a showroom section of our website, subzero.com.

HANDLE LENGTH	TUBULAR	PRO
Column Door	50 $\frac{1}{8}$ " (1273)	48 $\frac{3}{8}$ " (1229)
Tall Door	33 $\frac{1}{4}$ " (845)	31 $\frac{1}{2}$ " (800)
30" Tall Drawers	27 $\frac{1}{4}$ " (692)	25 $\frac{1}{2}$ " (648)
36" Tall Drawers	33 $\frac{1}{4}$ " (845)	31 $\frac{1}{2}$ " (800)

Custom Panels

TYPICAL PANEL DIMENSIONS



Typical panel dimensions are based on an 84" (2134) finished height with a 4" (102) toe kick and $\frac{1}{8}"$ (3) reveals. Panel dimensions must be adjusted accordingly for all other installations. Refer to the illustration for panel height and the chart below for panel width.

PANEL WIDTH	W
18" Model	$17\frac{3}{4}"$ (451)
24" Model	$23\frac{3}{4}"$ (603)
30" Model	$29\frac{3}{4}"$ (756)
36" Model	$35\frac{3}{4}"$ (908)

WINE MODEL STILES / RAILS	W
Stiles	$3\frac{1}{4}"$ (83)
Top Rail	$7\frac{3}{4}"$ (197)
Bottom Rail (column)	$9\frac{1}{2}"$ (241)
Bottom Rail (tall)	$4\frac{1}{2}"$ (114)

DUAL INSTALLATION

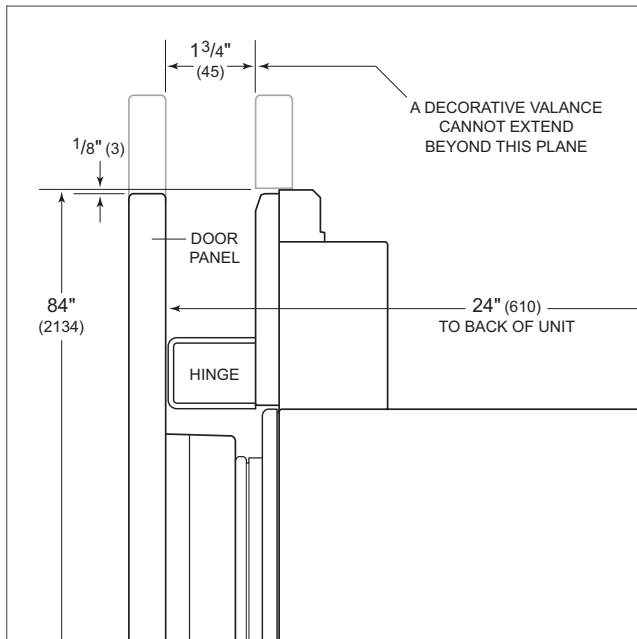
For dual installations, refer to the illustration for panel height and the chart below for panel width.

PANEL WIDTH	W
18" Model	$17\frac{13}{16}"$ (452)
24" Model	$23\frac{13}{16}"$ (605)
30" Model	$29\frac{13}{16}"$ (757)
36" Model	$35\frac{13}{16}"$ (910)

Custom Panels

DOOR PANEL HEIGHT

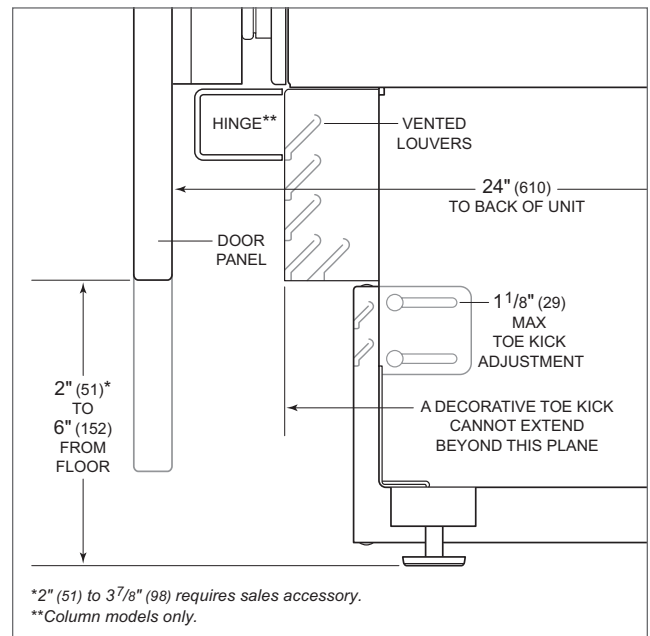
The height of the custom door panel can extend beyond the typical panel height, provided it does not exceed the weight limit. Refer to the illustration below.



Upper valance (side view)

TOE KICK CLEARANCE

The height of the toe kick area can extend beyond the typical toe kick height, provided it does not exceed the dimensions in the illustration below. Toe kick heights from 2" (51) to 3 7/8" (98) require a reduced toe kick accessory available through an authorized Sub-Zero dealer. For questions regarding the installation, call Sub-Zero Customer Care at 800-222-7820.



*2" (51) to 3 7/8" (98) requires sales accessory.
 **Column models only.

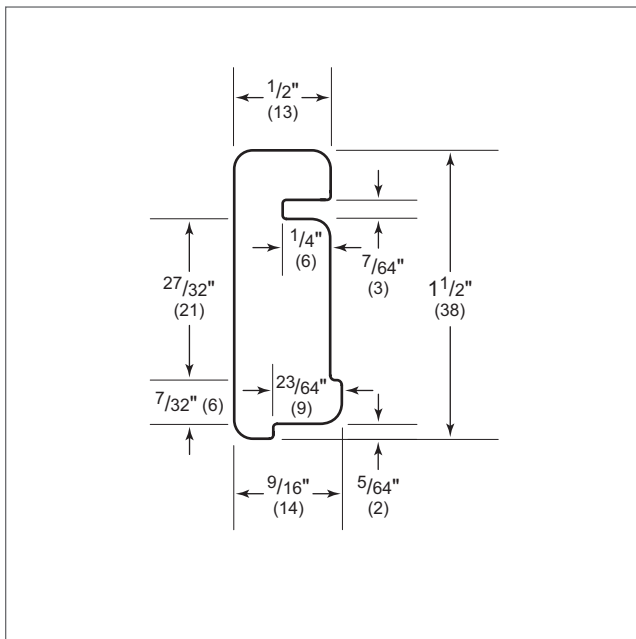
Toe kick (side view)

Wine Rack Wood Facing

FULL-SCALE TEMPLATE

The natural cherrywood facing on wine storage racks can be stained and sealed, or replaced with wood more complementary to surrounding cabinetry. Refer to the full-scale template below for the profile dimensions of the wood facing and the chart for the width.

WOOD FACING WIDTH	W
18" Model	11 ⁵ / ₈ " (295)
24" Model	17 ⁵ / ₈ " (448)
30" Model	23 ⁵ / ₈ " (600)



Wood facing profile

Sub-Zero, Sub-Zero & Design, Sub-Zero & Snowflake Design, Dual Refrigeration, The Living Kitchen, Great American Kitchens The Fine Art of Kitchen Design, Wolf, Wolf & Design, Wolf Gourmet, W & Design, red colored knobs, Cove, and Cove & Design are registered trademarks and service marks of Sub-Zero Group, Inc. and its subsidiaries. All other trademarks are property of their respective owners in the United States and other countries.

Sub-Zero Residential Limited Warranty

FOR RESIDENTIAL USE

FULL TWO YEAR WARRANTY*

For two years from the date of original installation, this Sub-Zero product warranty covers all parts and labor to repair or replace, under normal residential use, any part of the product that proves to be defective in materials or workmanship. All service provided by Sub-Zero under the above warranty must be performed by Sub-Zero Factory Certified Service, unless otherwise specified by Sub-Zero, Inc. Service will be provided during normal business hours.

FULL FIVE YEAR SEALED SYSTEM WARRANTY

For five years from the date of original installation, this Sub-Zero product warranty covers all parts and labor to repair or replace, under normal residential use, these parts that prove to be defective in materials or workmanship: compressor, condenser, evaporator, drier and all connecting tubing. All service provided by Sub-Zero under the above warranty must be performed by Sub-Zero Factory Certified Service, unless otherwise specified by Sub-Zero, Inc. Service will be provided during normal business hours.

LIMITED TWELVE YEAR SEALED SYSTEM WARRANTY

For twelve years from the date of original installation, Sub-Zero will repair or replace the following parts that prove to be defective in materials or workmanship: compressor, condenser, evaporator, drier and all connecting tubing. If the owner uses Sub-Zero Factory Certified Service, the service provider will repair or replace these parts with the owner paying for all other costs, including labor. If the owner uses non-certified service, the owner must contact Sub-Zero, Inc. (using the information below) to receive repaired or replacement parts. Sub-Zero will not reimburse the owner for parts purchased from non-certified service or other sources.

TERMS APPLICABLE TO EACH WARRANTY

The warranty applies only to products installed for normal residential use. The warranty applies only to products installed in any one of the fifty states of the United States, the District of Columbia or the ten provinces of Canada. This warranty does not cover any parts or labor to correct any defect caused by negligence, accident or improper use, maintenance, installation, service or repair.

THE REMEDIES DESCRIBED ABOVE FOR EACH WARRANTY ARE THE ONLY ONES THAT SUB-ZERO, INC. WILL PROVIDE, EITHER UNDER THIS WARRANTY OR UNDER ANY WARRANTY ARISING BY OPERATION OF LAW. SUB-ZERO, INC. WILL NOT BE RESPONSIBLE FOR ANY CONSEQUENTIAL OR INCIDENTAL DAMAGES ARISING FROM THE BREACH OF THIS WARRANTY OR ANY OTHER WARRANTY, WHETHER EXPRESS, IMPLIED OR STATUTORY.

Some states do not allow the exclusion or limitation of incidental or consequential damages, so the above limitation or exclusion may not apply to you. This warranty gives you specific legal rights and you may also have other legal rights that vary from state to state.

To receive parts and/or service and the name of Sub-Zero Factory Certified Service nearest you, contact Sub-Zero, Inc., P.O. Box 44848, Madison, WI 53744; check the Product Support section of our website, subzero.com, email us at customerservice@subzero.com, or call 800-222-7820.

*Stainless steel (doors, panels, handles, product frames and interior surfaces) are covered by a limited 60-day parts and labor warranty for cosmetic defects.

*Replacement water filters and air purification cartridges are not covered by the product warranty.





SUBZERO.COM