



Designer Series Undercounter Ice Maker

Installation Guide



SPECIFICATIONS,
INSTALLATION, AND MORE



Contents

3	Designer Series Undercounter Ice Maker
4	Site Preparation
8	Installation
12	Door Panel
14	Panel Installation
15	Installation
16	Fabricadora de hielo bajo mostrador de la Serie de Diseño
17	Preparación del sitio
22	Instalación
27	Panel de la puerta
29	Instalación de los paneles
31	Instalación
32	Machine à glaçons sous le comptoir série Concepteur
33	Préparation du site
38	Installation
43	Panneau de porte
45	Installation du panneau
47	Installation

Designer Series Undercounter Ice Maker

Important Note

Features and specifications are subject to change at any time without notice. Visit subzero-wolf.com/specs for the most up-to-date information.

To ensure this product is installed and operated as safely and efficiently as possible, take note of the following types of highlighted information throughout this guide:

IMPORTANT NOTE: Highlights information that is especially important.

⚠ CAUTION

Indicates a situation where minor injury or product damage may occur if instructions are not followed.

⚠ WARNING

States a hazard that may cause serious injury or death if precautions are not followed.

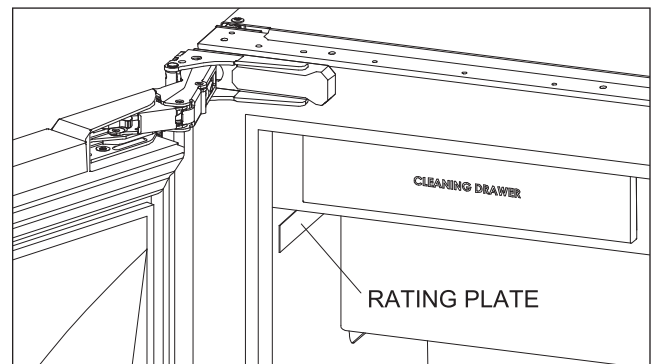
IMPORTANT NOTE: Throughout this guide, dimensions in parentheses are millimeters unless otherwise specified.

IMPORTANT NOTE: Save these instructions for the local electrical inspector.

Product Information

Important product information, including the model and serial number, are listed on the product rating plate. If service is necessary, contact Sub-Zero Factory Certified Service with the model number and serial number. For the name of the nearest Sub-Zero Factory Certified Service or for questions regarding the installation, visit the support and service section of our website, <https://subzero-wolf.com/assistance>, or call Sub-Zero Customer Care at 800-222-7820.

The rating plate is located on the left side wall of the unit.



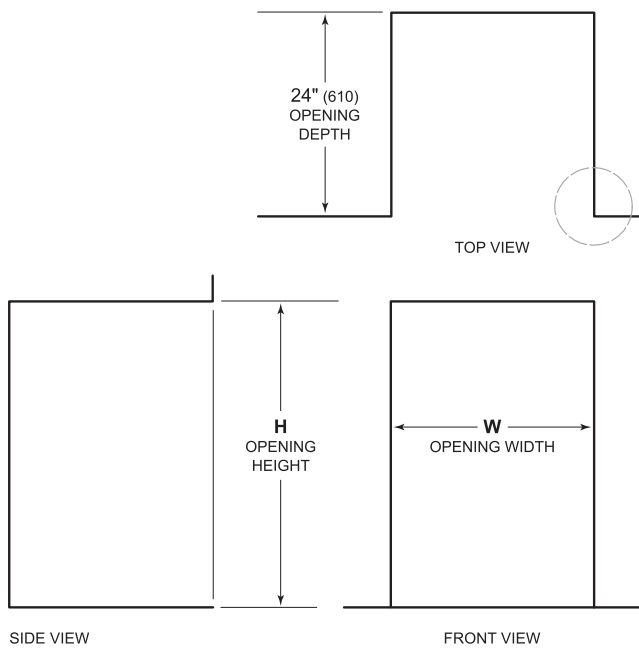
Site Preparation

Opening Dimensions

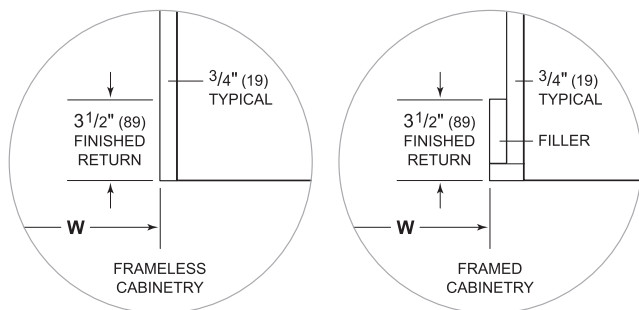
The depth of each model is 22 1/4" (565). Allow for panel thickness when planning the finished opening depth. A minimum 3 1/2" (89) finished return is required on all sides of the opening. Framed cabinets require additional finished filler material behind the face frame for a proper installation.

IMPORTANT NOTE: If possible, place the electrical and plumbing connections in an adjacent cabinet.

OPENING DIMENSIONS	W	H
15" model	15" (381)	34 1/2" (876)



NOTE: 3 1/2" (89) finished returns will be visible and should be finished to match cabinetry.

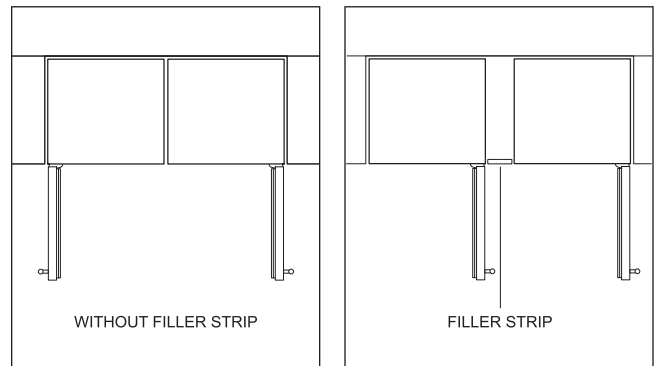


Dual Installation

If two units are installed side by side, a dual installation kit may be required. Installations without a custom filler strip require a dual installation kit. If a dual installation kit is not specified, a 2" (51) filler strip is recommended between the units. Dual installations without a filler strip can only be accomplished using two units with opposite hinges.

Dual installation kits are available through an authorized Sub-Zero dealer. For questions regarding the installation, call Sub-Zero Customer Care at 800-222-7820.

DUAL OPENING WIDTH	W
Two 15" Models	30" (762)
15" and 24" Models	39" (991)



Site Preparation

Electrical Requirements

Installation must comply with all applicable electrical codes.

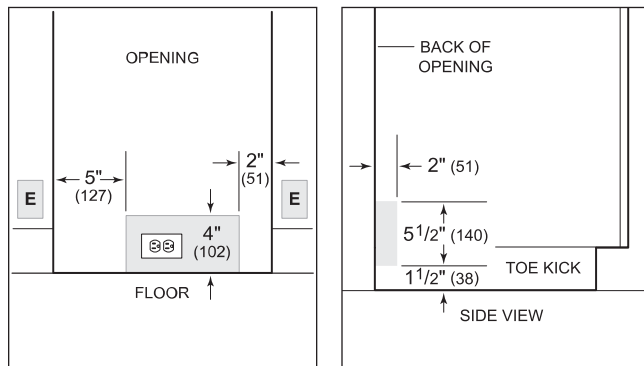
For ease of installation, the electrical supply can be placed in an adjacent cabinet within reach of the power cord. If the electrical supply is located inside the opening, it must be within the shaded area shown in the illustration below.

IMPORTANT NOTE: A ground fault circuit interrupter (GFCI) is not recommended and may cause interruption of operation, when installed indoors. A ground fault circuit interrupter (GFCI) is required to reduce the risk of electrical shock, when installed outdoors.

The electrical outlet must be positioned with the grounding prong to the right of the thinner blades.

ELECTRICAL REQUIREMENTS

Electrical Supply	115 VAC, 60 Hz
Service	15 amp dedicated circuit
Receptacle	3-prong grounding-type



⚠ CAUTION

The outlet must be checked by a qualified electrician to be sure it is wired with the correct polarity. Verify the outlet is properly grounded.

⚠ WARNING

If the supply cord is damaged, it must be replaced by the manufacturer, its service agent or similarly qualified persons in order to avoid a hazard.

⚠ WARNING

Do not locate multiple portable socket-outlets, power strip, or portable power supplies at the rear of the appliance.

⚠ WARNING

Do not use an extension cord or two-prong adapter, or remove the power cord ground prong.

Site Preparation

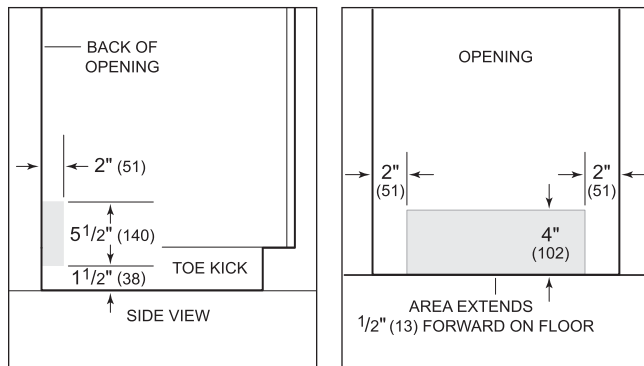
Plumbing Requirements

Installation must comply with all applicable plumbing codes.

IMPORTANT NOTE: For gravity drain models only, the drain connection and all excess drain tubing (behind the unit or in an adjacent cabinet) cannot exceed 7" (178) above the bottom of the leveling legs. For ease of installation, decrease the length of the drain tubing to the shortest length possible.

For ease of installation, the water shut off valve and drain can be placed in an adjacent cabinet within reach of the supply lines. If the connections are located inside the opening, they must be within the shaded area shown in the illustrations below. Do not use self-piercing valves.

Route the water supply through the shaded area shown in the illustration below. Connect the water supply to a cold water house supply with an easily accessible shut-off valve between the supply and the unit.



Sub-Zero suggests using a reverse osmosis or soft-cold water supply, provided there is a constant 35-120 psi (2.4-8.3 bar) supplied to the unit at all times. A copper line is not recommended for a reverse osmosis water supply.

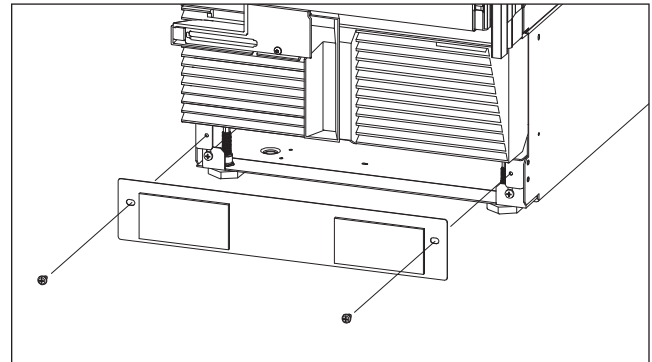
PLUMBING REQUIREMENTS

Water Connection	6' (1.8 m) plastic tubing with 1/4" compression union
Drain Connection	10' (3m) corrugated tubing
Water Pressure	35-120 psi (2.4-8.3 bar)
Water Temperature	40-100°F (4-38°C)

Preparation

Remove and recycle packing materials. Do not discard the kickplate, anti-tip bracket, and hardware.

Remove the kickplate by extracting the two mounting screws.

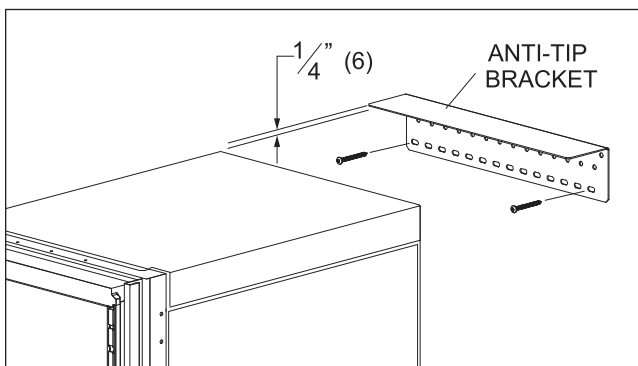


Anti-Tip Bracket

⚠ WARNING

To prevent the unit from tipping forward, the anti-tip bracket must be installed.

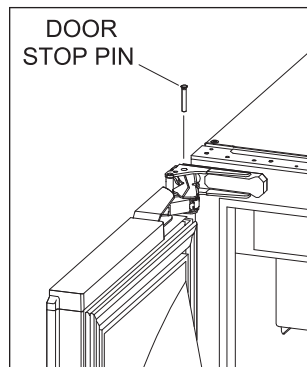
The anti-tip bracket should be attached to the wall behind the unit with the bracket flange located $\frac{1}{4}$ " (6) above the top of the unit. Failure to properly position the anti-tip bracket will prevent proper engagement.



90° Door Stop

IMPORTANT NOTE: If a 90° door opening is desired, the pins must be installed prior to installing the unit into the opening.

To install, open the door to approximately 80°. Insert one pin into each hinge.



Installation

Placement

⚠ CAUTION

Before moving the unit into position, secure the door closed and protect any finished flooring.

⚠ WARNING

When positioning the appliance, ensure the supply cord is not trapped or damaged.

Use an appliance dolly to move the unit near the opening.

If the unit has been on its back or side, it must stay upright for a minimum of 24 hours before connecting power.

Plug the power cord into the grounded outlet.

Water Line

⚠ WARNING

Connect to potable water supply only.

IMPORTANT NOTE: Do not reuse an old hose-set to connect to the water mains. Use the new hose-set supplied with the appliance.

Purge the water line prior to final connection to the unit. Connect the 1/4" plastic tubing from the unit to the water supply. Turn on the water supply and check for leaks.

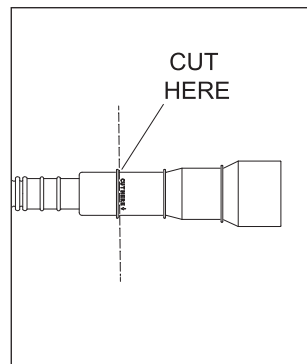
IMPORTANT NOTE: Water lines cannot be exposed to freezing temperatures.

Drain Line

IMPORTANT NOTE: For ease of installation, decrease the length of the drain tubing to the shortest length possible.

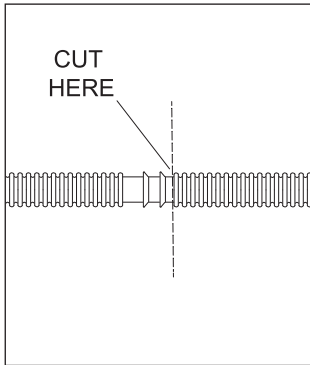
To shorten the drain line:

- 1 Remove the rubber connector from the end of the drain line.

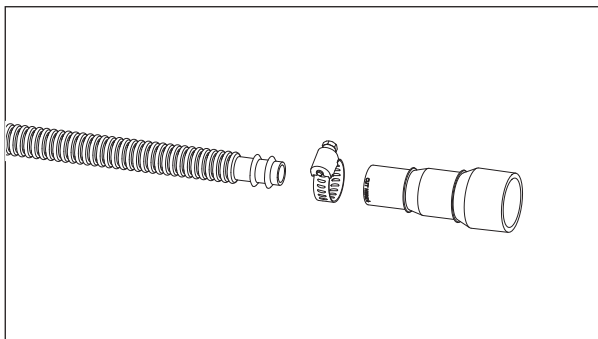


Installation

- 2 Cut the drain line to the desired length, but leave two existing barbs. Two barbs must remain on the section of the drain line



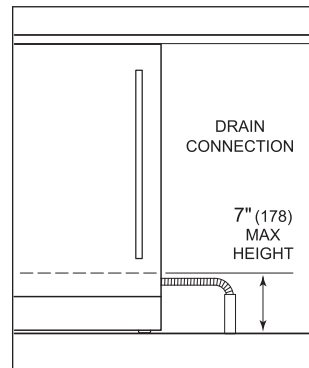
- 3 Place the hose clamp over the drain line, then insert the drain line into the rubber connector.



- 4 Tighten the hose clamp to secure the rubber connector to the drain line.

Drain Connection

IMPORTANT NOTE: For gravity drain models only, the drain connection and all excess drain tubing (behind the unit or in an adjacent cabinet) cannot exceed 7" (178) above the bottom of the leveling legs. For ease of installation, decrease the length of the drain tubing to the shortest length possible.



- 1 For gravity drain models, route the drain hose to the drain location. For pump models, connect the drain tube following local code. The drain connection will accommodate 1" (25), 3/4" (19), and 5/8" (16) drain connections. The connection must be cut to fit 3/4" (19) and 5/8" (16) connections.
- 2 Slide the unit into the opening.
- 3 Add one gallon (3.8 L) of cold water to the ice bin.
- 4 Verify the water drains completely from the ice bin and there are no leaks. If the water does not drain, verify the drain is installed correctly and not kinked.

Installation

Leveling

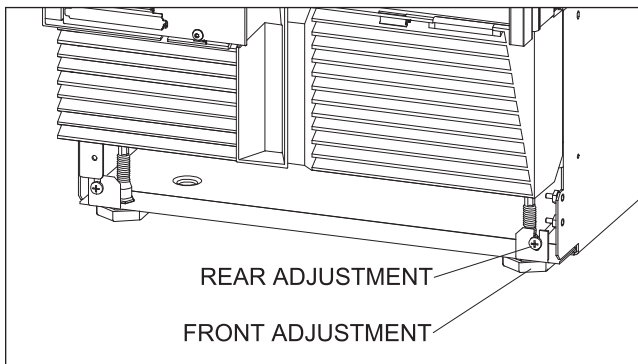
Once the unit is in position, rotate the front legs clockwise to raise and counterclockwise to lower. Rear height adjustment can be made from the front. Using a Phillips drive, turn clockwise to raise the unit or counterclockwise to lower. Use the lowest torque setting when using a power drill. Do not turn the leveling legs by hand.

When the unit is properly leveled, door adjustments are less likely to be necessary.

IMPORTANT NOTE: Level the unit to the floor, not the surrounding cabinetry. This could affect the operation of the unit, such as door closing.

⚠ WARNING

To reduce the possibility of the unit tipping forward, the front leveling legs must be in contact with the floor.



Anchoring

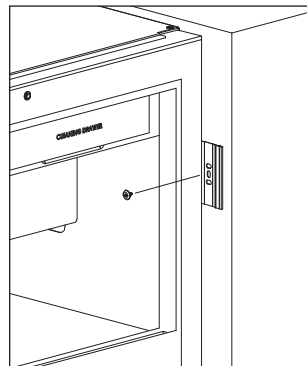
⚠ CAUTION

If using a power drill to predrill holes or install screws, verify the drill chuck does not contact the unit's face frame.

Adjust the depth of the unit to fit flush with the surrounding cabinetry. Allow for panel thickness. Once aligned, verify the door opens properly, then install a #8 x 1/2" flat-decorative head screw in each bracket.



⚠ WARNING

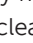
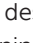
To avoid a hazard due to instability of the appliance, it must be fixed in accordance with the instructions.



Installation

Clean

Sub-Zero suggests cleaning the ice maker upon initial startup, then approximately every three to six months, based on water hardness. A hard water supply may require more frequent cleaning. The default cleaning reminder is three months, but it can be increased to six months for a low-hardness water supply, like soft-cold water or reverse osmosis. To change the reminder duration, touch , touch , then select the desired duration. If ice quality changes between cleanings, shorten the reminder duration for more frequent cleaning reminders.



The status light turns red during descale and sanitize, pulses green when action is required, and solid green when the process is complete. To proactively start a clean cycle, touch , then touch .

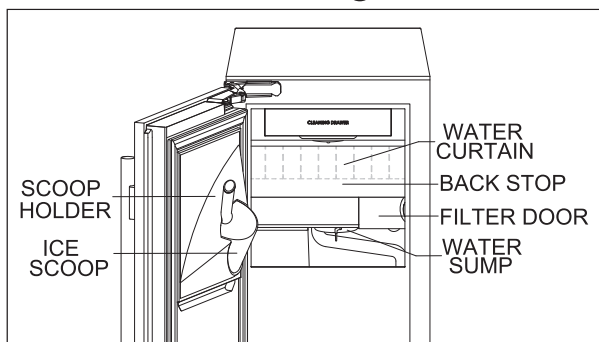
⚠ WARNING


Wear gloves and eye protection and follow all manufacturer instructions when using descaler and sanitizer.

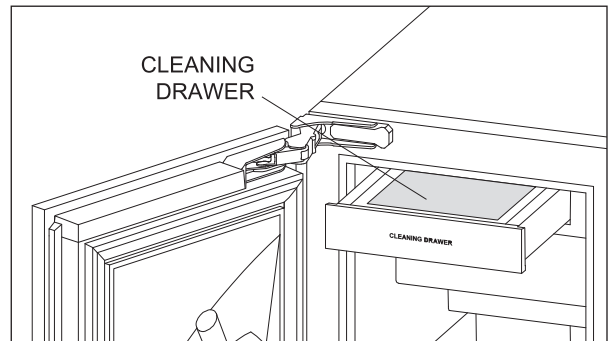
IMPORTANT NOTE: Verify ice maker descaler and sanitizer solutions are available before starting the clean process. Descaler and sanitizer are available online at subzero-wolf.com/store. For questions, contact Sub-Zero Customer Care at 800-222-7820.

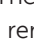
To Clean:

- 1 Touch Proceed.
- 2 "Empty Ice Bin" appears on the touchscreen. Remove all ice from the bin, then touch .
- 3 Touch Yes to confirm the bin is empty.
- 4 "Wipe Interior" appears on the touchscreen. Use warm water and a mild detergent with a soft brush or cloth to clean the interior including: the bottom of the water sump, the backstop, the filter door, the front of the water curtain and adjacent areas, the scoop holder, and the ice scoop. Rinse all interior surfaces with hot water, then touch .



- 5 "Add 1/2 Cup Descaler" appears on the touchscreen.
- 6 Open the cleaning drawer, add 1/2 cup (118 mL) of descaler, close the drawer, then touch .



- 7 "Confirm Descaler Added" appears on the touchscreen. Touch Yes, then close the ice maker door.
- 8 "Descaling...1 Hr Until Complete, 30 Min Until Next Step" appears on the touchscreen. The touchscreen updates periodically to indicate the time remaining. The status light turns red during the process and pulses green when complete.
- 9 After approximately 30 minutes, "Add 1/2 Tbsp Sanitizer Then 1/2 Cup Water" appears on the touchscreen.
- 10 Open the cleaning drawer, add 1/2 tablespoon (8 ml) of sanitizer, then pour 1/2 cup (118 mL) of water into the drawer.
- 11 Close the drawer, then touch .
- 12 "Confirm Sanitizer Added" appears on the touchscreen. Touch Yes, then close the ice maker door.
- 13 "Sanitizing...30 Min Until Complete" appears on the touchscreen. The touchscreen updates periodically to show the time remaining. The status light turns red during the process and turns green when complete.
- 14 "Clean Complete. Touch To Dismiss" appears on the screen when the process is complete.

Door Panel

Stainless Steel Panel

Stainless steel panels are available through an authorized Sub-Zero dealer. Stainless steel panels include a stainless steel kickplate cover.

Minimum $\frac{1}{8}$ " (3) reveals are required.

Custom Panel

A custom door panel and handle hardware must be installed.

A $\frac{5}{8}$ " (16) minimum to $\frac{3}{4}$ " (19) maximum thick panel is required. The panel cannot exceed the maximum panel weight. The depth of each model is $22\frac{1}{4}$ " (565). Allow for panel thickness when planning the finished opening depth.

Minimum $\frac{1}{8}$ " (3) reveals are required.

PANEL WEIGHT	MAX
15" Model	15 lb (7 kg)

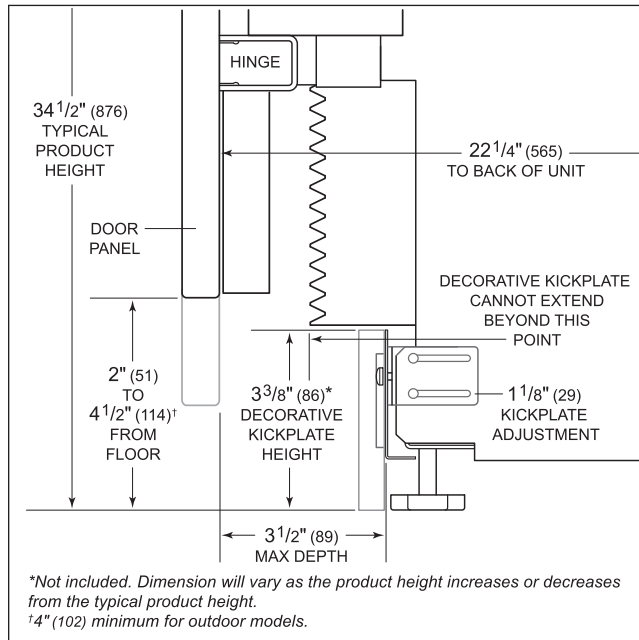
Finish all sides of the custom panel. They will be visible when the door is open.

A D-style handle is recommended. Locate the door handle near the edge of the panel opposite the hinge and centered top to bottom. Stainless steel tubular and pro handles are available through an authorized Sub-Zero dealer.

Door Panel

Toe Kick Clearance

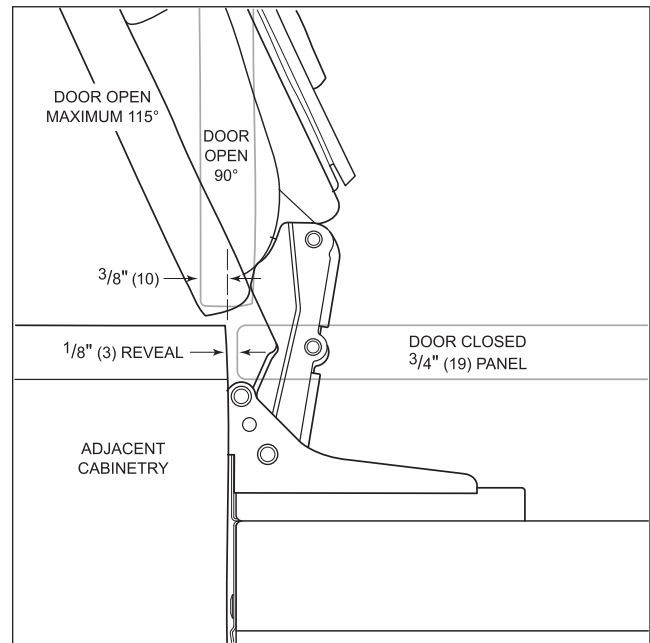
The height of the toe kick area can extend beyond the typical toe kick height, provided it does not exceed the dimensions in the illustration below. For questions regarding the installation, call Sub-Zero Customer Care at 800-222-7820.



Side view

Maximum Door Opening

As the panel width and/or depth increases, so does the potential for panel interference. A 90° door stop may minimize interference.

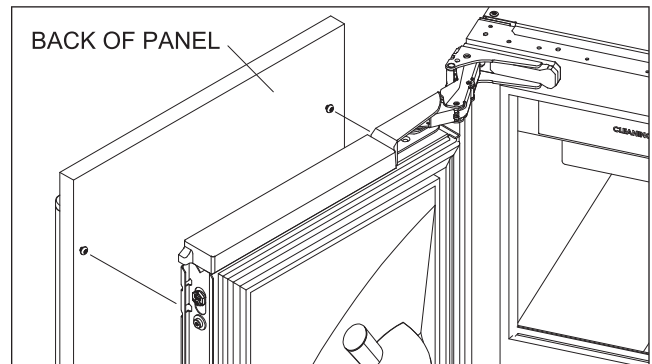
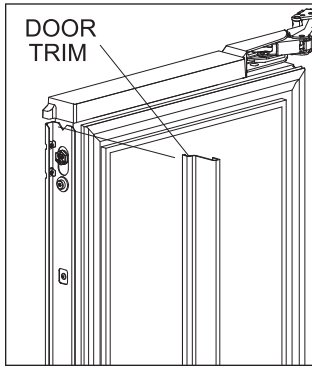


Top view

Panel Installation

Door Trim Removal

Remove the decorative side trim from the door. Start at the top and unsnap. Continue downward until the remaining trim is completely removed.

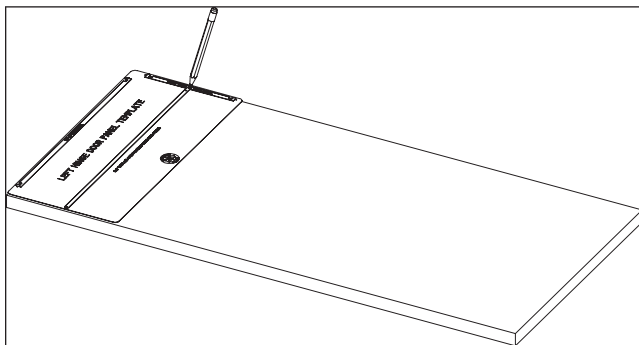


⚠ CAUTION

As reveals between cabinetry and the unit decrease, severe finger pinching can occur while the door is closing.

Door Panel Installation

Placement of the template must be adjusted for panels exceeding the typical dimensions. Place the panel face down on a protected work surface. Position the template flush with the top and hinge side of the panel. Verify the correct side of the template is being used, then mark and drill pilot holes.



Door panel template

Use a Torx drive to partially insert #8 x 1/2" screws into the holes on each side of the panel. The screws should be approximately 3/16" (4) proud of the panel and will support the weight of the panel during installation.

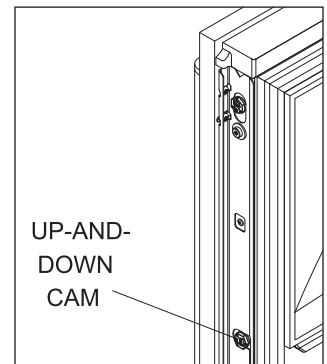
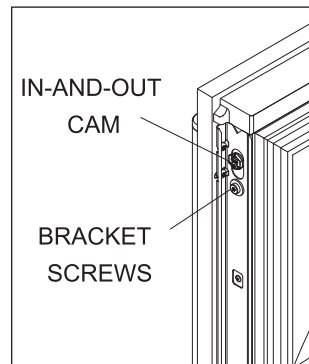
Align the support screws on the back of the panel with the slotted holes on both door mounting brackets. Opening the door slightly may help with alignment.

Door Panel Adjustment

Close the door. Make any necessary adjustments to align the panels and reveals.

For side-to-side adjustment, move the panel side to side, then install and tighten a mounting screw into each corner to secure the panel to the mounting brackets.

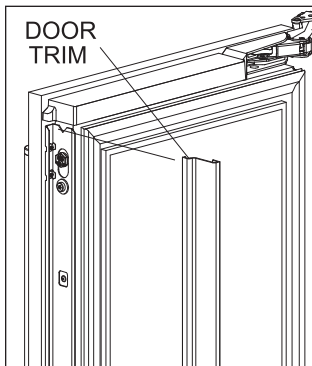
For up-and-down and in-and-out adjustments, slightly loosen the bracket screws. Depending on the level of adjustment required, it may be helpful to loosen all of the bracket screws, which will allow for maximum adjustment. Once the bracket screws are loosened, use a wrench to rotate the cams to make adjustments. After the adjustments have been made, tighten all bracket screws.



Installation

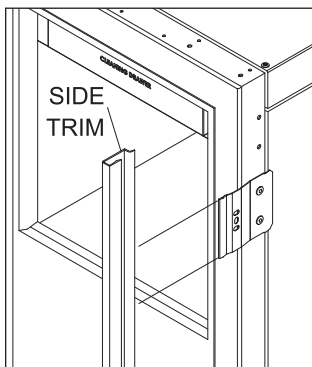
Door Trim Installation

After the door panel has been adjusted, install the decorative side trim to the door. To install, start at the top and align the trim with the front and rear flanges on the bracket, then snap into place by pushing the trim toward the back of the panel. Once the top is secure, continue the installation downward until the remaining trim is completely secure.



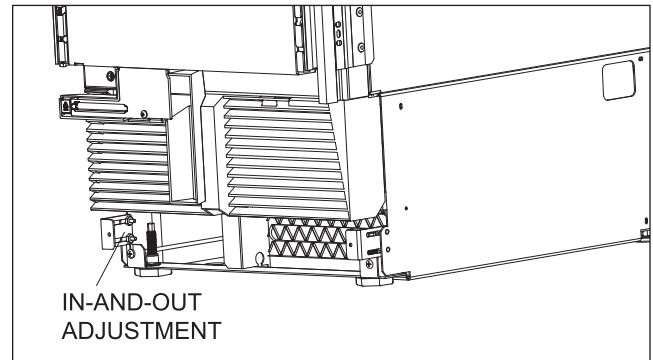
Side Trim Installation

Install the decorative trim strip to the handle side of the unit. The side trim snaps over the bracket attached to the handle side of the unit.



Kickplate Installation

The kickplate must be removable for service. The floor cannot interfere with removal. Finger-tighten the adjustment bracket nuts. Make in-and-out adjustments, then wrench-tighten the bracket nuts. Install the kickplate with the provided screws.



A decorative kickplate can be attached to the factory-installed kickplate. A decorative kickplate cannot be attached when installed outdoors.

To install a decorative kickplate, remove the paper backing from the magnets and attach the decorative kickplate to the magnets. The magnets allow the decorative kickplate to be removed if necessary.

Disposal

⚠️ WARNING

Follow all city and state laws when storing, recycling, or discarding unused refrigerators and freezers.

Aviso importante

Las características y especificaciones están sujetas a cambios sin previo aviso. Visite subzero-wolf.com/specs para obtener la información más actualizada.

Para garantizar que este producto se instale y opere de la forma más segura y eficiente posible, tome nota de los siguientes tipos de información resaltada en este manual:

AVISO IMPORTANTE: Resalta la información que es especialmente importante.

⚠ PRECAUCIÓN

Indica una situación en la que se pueden sufrir lesiones leves o provocar daños al producto, si no se siguen las instrucciones.

⚠ ADVERTENCIA

Indica peligro de que se produzcan heridas graves o incluso la muerte si no se toman las precauciones.

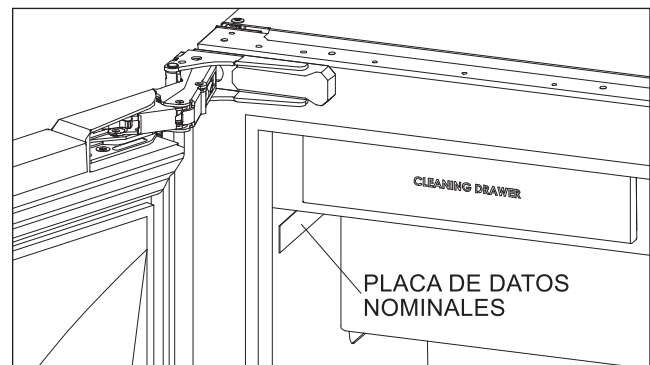
AVISO IMPORTANTE: En toda esta guía, las dimensiones entre paréntesis son milímetros, a menos que se especifique lo contrario.

AVISO IMPORTANTE: Guarde estas instrucciones para el inspector eléctrico local.

Información del producto

La información importante del producto, incluidos el modelo y el número de serie de la unidad, se encuentra en la placa de datos del producto. Si necesita servicio, póngase en contacto con el centro de servicio autorizado de Sub-Zero y tenga a la mano el modelo y número de serie de la máquina. Para obtener los datos del centro de Servicio certificado de fábrica de Sub-Zero más cercano o si tiene preguntas acerca de la instalación, visite la sección de contacto y servicio técnico en nuestro sitio web, <https://subzero-wolf.com/assistance>, o bien, llame a la línea de atención al cliente de Sub-Zero al 800-222-7820.

La placa de datos se encuentra en la pared izquierda de la unidad.



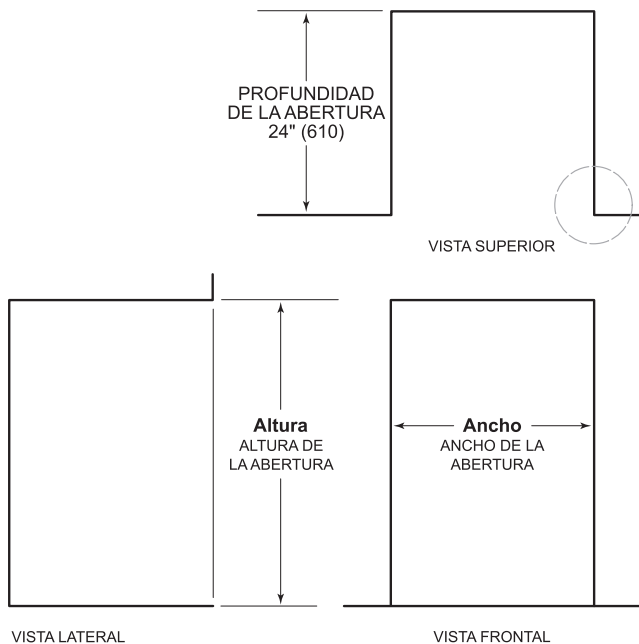
Preparación del sitio

Dimensiones de abertura

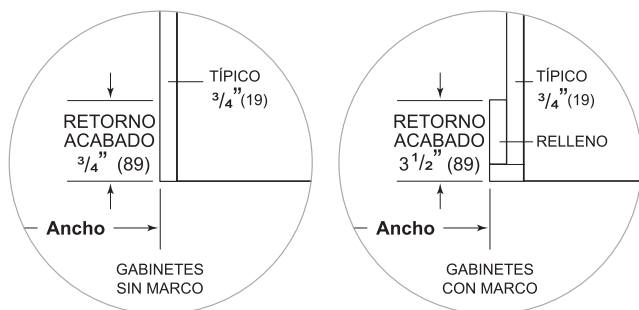
La profundidad de cada modelo es 22 1/4" (565). Para determinar la profundidad de la abertura ya con acabados, considere el grosor del panel. Se necesita un tubo de retorno de 3 1/2" (89) con acabados en todos los lados de la abertura. Los gabinetes con marco necesitan material de relleno de acabado detrás del marco frontal para lograr una instalación adecuada.

NOTA IMPORTANTE: Si fuera posible, coloque las conexiones eléctricas y de plomería en el gabinete adyacente.

DIMENSIONES DE ABERTURA	ANCHO	ALTURA
Modelo de 15"	15" (381)	34 1/2" (876)



NOTA: Los tubos de retorno acabados de 3 1/2" (89) serán visibles y deberá dárseles un acabado que iguale el de los gabinetes

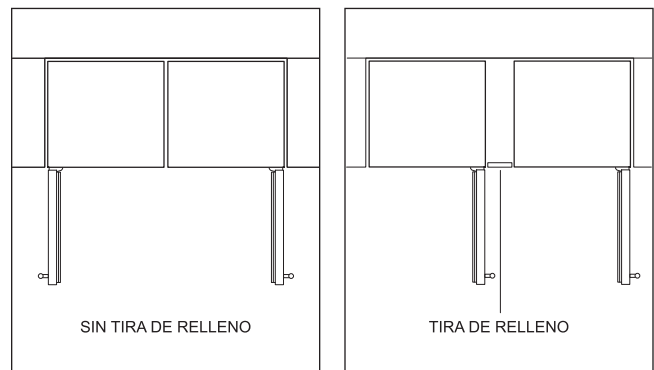


Instalación doble

Si se instalan dos unidades lado a lado, puede ser necesario un kit de instalación doble. Las instalaciones sin una tira de relleno personalizada requieren un kit de instalación doble. Si el uso de un kit de instalación doble no está especificado, se recomienda utilizar una tira de relleno de 2" (51 mm) entre las unidades. Las instalaciones dobles sin una tira de relleno solo se pueden realizar cuando se utilizan dos unidades con bisagras opuestas.

Los kits de instalación doble están disponibles a través de un distribuidor autorizado de Sub-Zero. Para preguntas sobre la instalación, comuníquese con la línea de atención al cliente de Sub-Zero llamando al 800-222-7820.

ANCHURA DE ABERTURA DOBLE	ANCHO
Dos modelos de 15"	30" (762)
Modelos de 15" y 24"	39" (991)



Preparación del sitio

Requisitos eléctricos

La instalación debe cumplir con todos los códigos eléctricos vigentes.

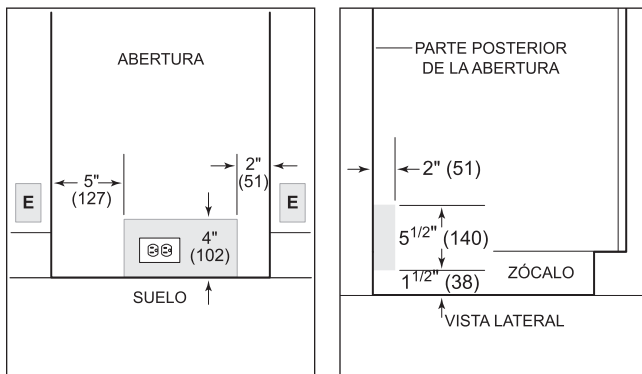
Para facilitar la instalación, el suministro eléctrico se puede ubicar en un gabinete adyacente, al alcance del cable de corriente. Si el suministro eléctrico se ubica dentro de la abertura, debe estar dentro del área sombreada que se muestra en la ilustración siguiente.

AVISO IMPORTANTE: No se recomienda el uso de un cortacircuitos por falla de tierra (GFCI), ya que puede causar una interrupción operativa cuando la instalación es en interiores. Se requiere un GFCI para reducir el riesgo de una descarga eléctrica cuando la instalación es en exteriores.

El tomacorriente eléctrico debe colocarse de tal forma que la clavija con conexión a tierra quede a la derecha de las aspas más delgadas.

REQUISITOS ELÉCTRICOS

Suministro eléctrico	115 V CA, 60 Hz
Servicio	Circuito dedicado de 15 amperes
Receptáculo	Conexión a tierra de 3 clavijas



⚠ PRECAUCIÓN

Un electricista calificado deberá revisar el tomacorriente para asegurarse de que el cableado tenga la polaridad correcta. Compruebe que el tomacorriente esté debidamente conectado a tierra.

⚠ ADVERTENCIA

Si se daña el cable de corriente, debe ser sustituido por el fabricante, su agente de servicio o una persona igualmente calificada para evitar riesgos.

⚠ ADVERTENCIA

No instale tomacorrientes múltiples, barras de enchufes ni fuentes de alimentación portátiles detrás del equipo.

⚠ ADVERTENCIA

No use cables de extensión, adaptadores de dos clavijas, ni elimine la clavija de conexión a tierra del enchufe eléctrico.

Preparación del sitio

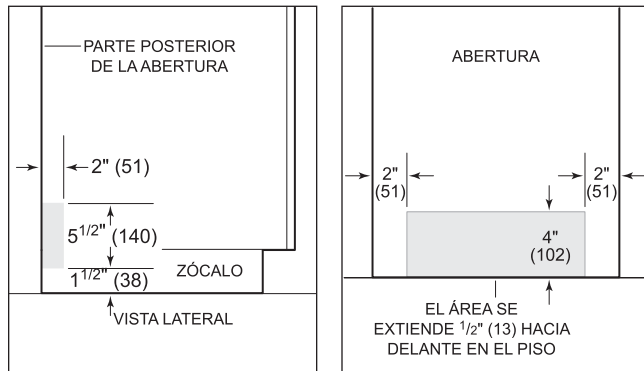
Requisitos de plomería

La instalación debe cumplir con todos los códigos de plomería vigentes.

Únicamente en los modelos de drenaje por gravedad, la conexión del drenaje y el exceso de tubería de drenaje (detrás de la unidad o en un gabinete adyacente) no pueden asomar más de 7" (178) por encima de la parte inferior de las patas niveladoras. Para facilitar la instalación, recorte el tubo de drenaje a la longitud más corta posible.

Para facilitar la instalación, la válvula de cierre del agua y el drenaje se pueden ubicar en un gabinete adyacente, al alcance de las líneas de suministro y descarga. Si las conexiones están ubicadas dentro de la abertura, deben estar dentro del área sombreada que se muestra en las ilustraciones a continuación. No use válvulas autopercutoras.

Guíe el suministro de agua a través de la zona sombreada que se muestra en la ilustración a continuación. Conecte el suministro de agua al suministro doméstico de agua fría con una válvula de cierre de fácil acceso entre el suministro y la unidad.



Sub-Zero sugiere usar un suministro de agua fría blanda o tratada por ósmosis inversa para la unidad, siempre que haya un flujo constante de 35 a 120 psi (2.4 a 8.3 bares) en todo momento. No se recomienda el uso de una línea de cobre para el suministro de agua tratada por ósmosis inversa.

REQUISITOS DE PLOMERÍA

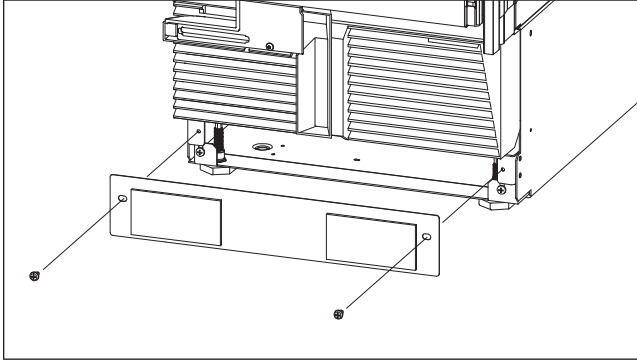
Conexión de agua	Tubo de plástico de 6 pies (1.8 m) con unión de compresión de 1/4"
Conexión del drenaje	Tubo corrugado de 10 pies (3 m)
Presión del agua	De 35 a 120 psi (de 2.4 a 8.3 bares)
Temperatura del agua	40 °F–100 °F (4 °C–38 °C)

Preparación del sitio

Preparación

Retire y recicle los materiales de embalaje. No deseche el zócalo, el soporte contra volcaduras ni la tornillería de montaje.

Para quitar el zócalo extraiga los dos tornillos de montaje.

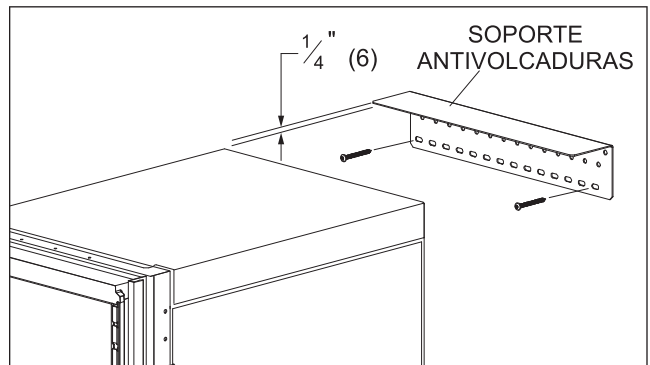


Soporte contra volcaduras

⚠ ADVERTENCIA

Para evitar que la unidad se vuelque hacia el frente, debe instalarse el soporte contra volcaduras.

El soporte contra volcaduras debe anclarse a la pared detrás de la unidad con la brida ubicada a $\frac{1}{4}$ " (6 mm) por arriba de la parte superior de la misma. El posicionamiento incorrecto del soporte contra volcaduras impedirá que la unidad quede bien acoplada.



Tope para puerta a 90°

AVISO IMPORTANTE: Si se desea tener una abertura de puerta de 90°, se deben instalar los pasadores antes de instalar la unidad en la abertura.

Para instalar, abra la puerta a aproximadamente 80°.
Inserte un pasador en cada bisagra.



Colocación

⚠ PRECAUCIÓN

Antes de mover la unidad a su posición, compruebe que la puerta esté cerrada y proteja el acabado del piso.

⚠ ADVERTENCIA

Al posicionar el equipo, asegúrese de que el cable de alimentación no quede atrapado ni se dañe.

Use una plataforma rodante para mover la unidad cerca de la abertura.

Si la unidad ha estado o está acostada o de lado, debe ponerla de pie durante un mínimo de 24 horas antes de conectarla al suministro eléctrico.

Conecte el cable de alimentación eléctrica en un tomacorriente con conexión a tierra.

Línea de agua

⚠ ADVERTENCIA

Conecte solo al suministro de agua potable.

NOTA IMPORTANTE: No reutilice un juego de mangueras viejo para la conexión a la red de agua. Utilice el juego de mangueras nuevo incluido con la máquina.

Purgue la línea de agua antes de hacer la conexión final a la unidad. Conecte el tubo de plástico de $\frac{1}{4}$ " entre la unidad y el suministro de agua. Abra el suministro de agua y compruebe que no haya fugas.

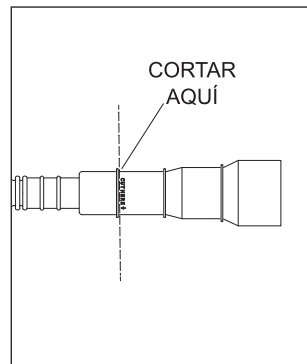
AVISO IMPORTANTE: Las líneas de agua no pueden quedar expuestas a temperaturas de congelación.

Línea de drenaje

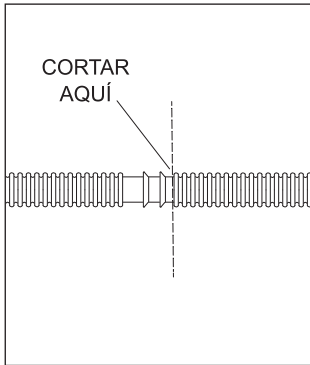
Para facilitar la instalación, recorte el tubo de drenaje a la longitud más corta posible.

Para acortar la línea de drenaje:

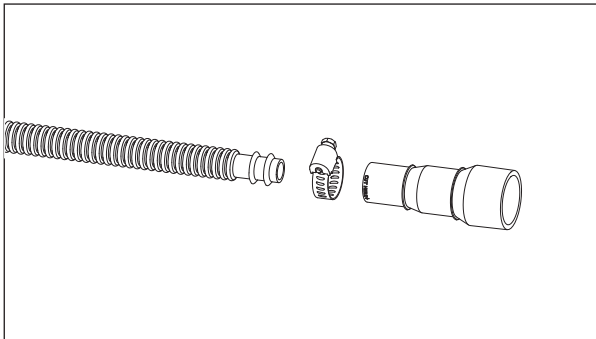
- 1 Retire el conector de hule del extremo de la línea de drenaje.



- 2 Corte la línea de drenaje a la longitud deseada, pero deje dos de las púas existentes. Es importante dejar dos púas en la sección de la línea de drenaje



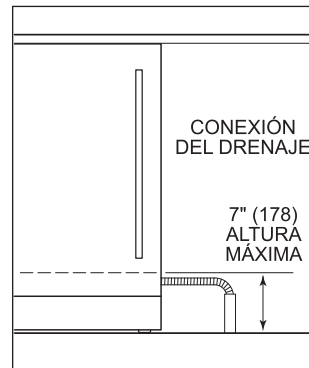
- 3 Coloque la abrazadera de la manguera sobre la línea de drenaje; luego, inserte la línea de drenaje en el conector de hule.



- 4 Apriete la abrazadera de la manguera para asegurar el conector de hule a la línea de drenaje.

Conexión del drenaje

Únicamente en los modelos de drenaje por gravedad, la conexión del drenaje y el exceso de tubería de drenaje (detrás de la unidad o en un gabinete adyacente) no pueden asomar más de 7" (178) por encima de la parte inferior de las patas de nivelación. Para facilitar la instalación, recorte el tubo de drenaje a la longitud más corta posible.



- 1 En los modelos de drenaje por gravedad, dirija la manguera de drenaje hasta el lugar de drenaje. En los modelos de bomba, conecte el tubo de drenaje conforme al código de construcción local. La conexión de drenaje aceptará conexiones de drenaje de 1" (25), $\frac{3}{4}$ " (19) y $\frac{5}{8}$ " (16). La conexión debe cortarse para recibir conexiones de $\frac{3}{4}$ " (19) y $\frac{5}{8}$ " (16).
- 2 Deslice la unidad hasta el vano de instalación.
- 3 Agregue 1 galón (3.8 l) de agua fría al recipiente de hielo.
- 4 Compruebe que el agua se drene por completo del recipiente de hielo y que no haya fugas. Si el agua no se dreña, compruebe que el drenaje esté instalado correctamente y no esté torcido.

Instalación

Nivelación

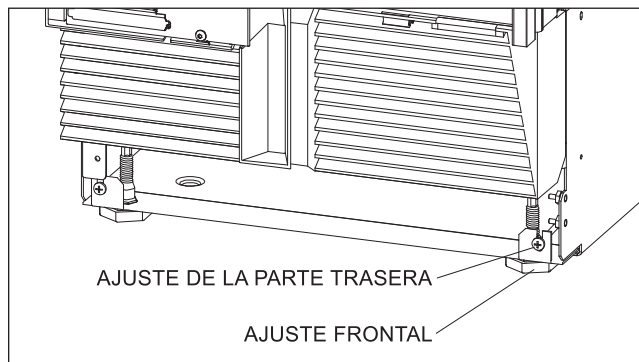
Una vez que la unidad esté en su lugar, gire las patas frontales hacia la derecha para elevar y en sentido contrario a las agujas del reloj para bajar. El ajuste de la altura de la parte posterior se puede realizar desde la parte delantera. Con un destornillador Phillips, gire como las manecillas del reloj (derecha) para levantar la unidad o contra las manecillas del reloj (izquierda) para bajarla. Utilice la velocidad más baja de torsión cuando utilice un taladro eléctrico. No ajuste las patas niveladoras con la mano.

Cuando la unidad esté bien nivelada, será menos probable que tenga que ajustar las puertas.

NOTA IMPORTANTE: Nivele la unidad con respecto al piso, no con los gabinetes aledaños. Esto podría afectar el funcionamiento de la unidad, por ejemplo, el cerrado de la puerta.

⚠ ADVERTENCIA

Para reducir la posibilidad de que la unidad se vuelque hacia delante, las patas niveladoras delanteras deben estar en contacto con el piso.



Anclaje

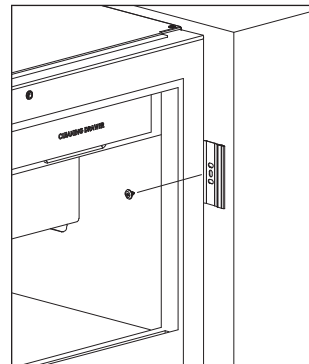
⚠ PRECAUCIÓN

Si va a usar un taladro eléctrico para hacer orificios o instalar tornillos, compruebe que el portabrocas no entre en contacto con el marco frontal de la unidad.



Ajuste la profundidad de la unidad para que quede al ras con los gabinetes que la rodean. Hay que tener en cuenta el grosor del panel. Una vez alineada la puerta, compruebe que abra correctamente; luego, instale los tornillos decorativos n.º 8 de cabeza plana de 1/2" en cada soporte.



⚠ ADVERTENCIA

Para evitar un peligro debido a la inestabilidad del equipo, se debe fijar este de acuerdo con las instrucciones.



Limpieza

Sub-Zero recomienda limpiar la máquina de hielo al ponerla a funcionar por primera vez, y luego aproximadamente cada tres a seis meses, según la dureza del agua. Un suministro de agua dura puede requerir limpieza más frecuente. El recordatorio de limpieza predeterminado es de tres meses, pero puede aumentarse a seis meses si el suministro de agua es de baja dureza, como agua blanda y fría o tratada por ósmosis inversa. Para cambiar la duración del recordatorio, toque , toque  y luego seleccione la duración deseada. Si la calidad del hielo cambia entre limpiezas, acorte la duración del recordatorio para recibir recordatorios de limpieza más frecuentes.



La luz de estado se vuelve roja durante la descalcificación y desinfección; parpadea en verde cuando se requiere alguna acción y enciende en verde fijo cuando concluye el proceso. Para iniciar proactivamente un ciclo de limpieza, toque  y luego .

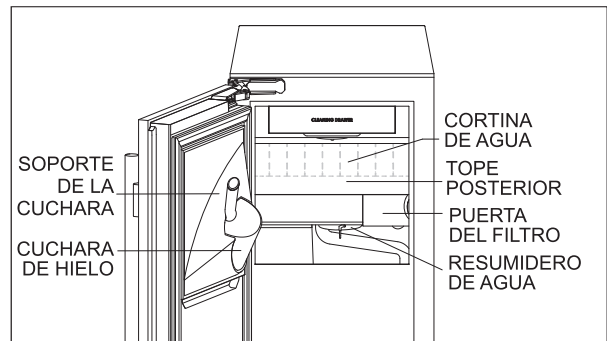
⚠ ADVERTENCIA


Use guantes y protección para los ojos, y siga todas las instrucciones del fabricante al usar el producto de descalcificación y desinfección.

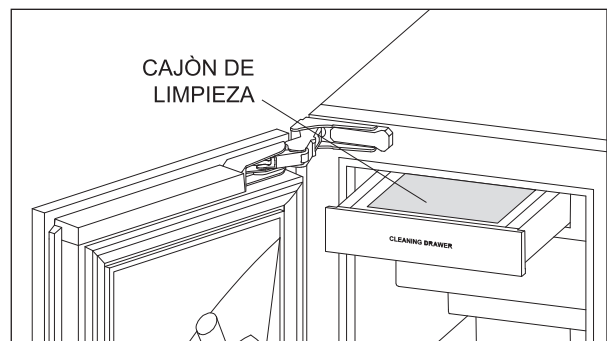
AVISO IMPORTANTE: Compruebe que las soluciones de descalcificación y desinfección estén listas antes de comenzar el proceso de limpieza. El descalcificador y el desinfectante pueden adquirirse en línea en subzero-wolf.com/store. Si tiene alguna pregunta, comuníquese con la línea de atención al cliente de Sub-Zero al 800-222-7820.

Para limpiar:

- 1 Toque "Proceed" (Continuar).
- 2 Aparecerá "Empty Ice Bin" (Vaciar recipiente para hielo) en la pantalla táctil. Retire todo el hielo del recipiente y luego toque .
- 3 Toque "Yes" (Sí) para confirmar que el recipiente está vacío.
- 4 Aparecerá "Wipe Interior" (Limpiar el interior) en la pantalla táctil. Use agua tibia y un detergente suave, con un cepillo de cerdas suaves o un paño, para limpiar el interior, lo que incluye: el fondo del depósito de agua, el tope trasero, la puerta del filtro, el frente de la cortina de agua y las áreas adyacentes, el soporte de la cuchara y la cuchara de hielo. Enjuague todas las superficies internas con agua caliente; luego, toque .




- 5 Aparece "Add 1/2 Cup Descaler" (Agregar 1/2 taza de descalcificador) en la pantalla táctil.
- 6 Abra el cajón de limpieza, agregue 1/2 taza (118 ml) de descalcificador, cierre el cajón y luego toque .



- 7 Aparecerá "Confirm Descaler Added" (Confirmar que se agregó descalcificador) en la pantalla táctil. Toque "Yes" (Sí) y luego cierre la puerta de la máquina de hielo.
- 8 Aparecerá "Descaling...1 Hr Until Complete, 30 Min Until Next Step" (Descalcificando... 1 h hasta completar, 30 min hasta el próximo paso) en la pantalla táctil. La pantalla táctil se actualiza periódicamente para indicar el tiempo restante. La luz de estado enciende en rojo durante el proceso y parpadea en verde cuando este termina.
- 9 Después de aproximadamente 30 minutos, aparece "Add 1/2 Tbsp Sanitizer Then 1/2 Cup Water" (Agregar 1/2 cucharada de desinfectante y 1/2 taza de agua) en la pantalla táctil.
- 10 Abra el cajón de limpieza, agregue 1/2 cucharada (8 ml) de desinfectante, y luego vierta 1/2 taza (118 ml) de agua en el cajón.

Instalación

- 11** Cierre el cajón y luego toque .
- 12** "Confirm Sanitizer Added" (Confirmar el agregado de desinfectante) en la pantalla táctil. Toque "Yes" (Sí) y luego cierre la puerta de la máquina de hielo.
- 13** Aparecerá "Sanitizing...30 Min Until Complete" (Desinfectando... 30 min. hasta completar) en la pantalla táctil. La pantalla táctil se actualiza periódicamente para indicar el tiempo restante. La luz de estado se enciende en rojo durante el proceso y cambia a verde cuando este concluye.
- 14** "Clean Complete. Touch To Dismiss" (Limpieza completa. Toque para descartar) aparece en la pantalla cuando el proceso termina.

Panel de la puerta

Panel de acero inoxidable

Están disponibles paneles de acero inoxidable en los distribuidores autorizados Sub-Zero. Los paneles de acero inoxidable incluyen un zócalo del mismo material.

Se requiere un mínimo de margen de $\frac{1}{8}$ " (3).

Panel personalizado

Deben instalarse paneles de puerta personalizados y herrajes de manijas.

Se requiere un panel con grosor mínimo de $\frac{5}{8}$ " (16) y máximo de $\frac{3}{4}$ " (19). El panel no puede exceder el máximo peso del panel. La profundidad de cada modelo es $22\frac{1}{4}$ " (565). Para determinar la profundidad de la abertura ya con acabados, considere el grosor del panel.

Se requiere un mínimo de margen de $\frac{1}{8}$ " (3).

PESO DEL PANEL

MÁX

Modelo de 15"	15 lb (7 kg)
---------------	--------------

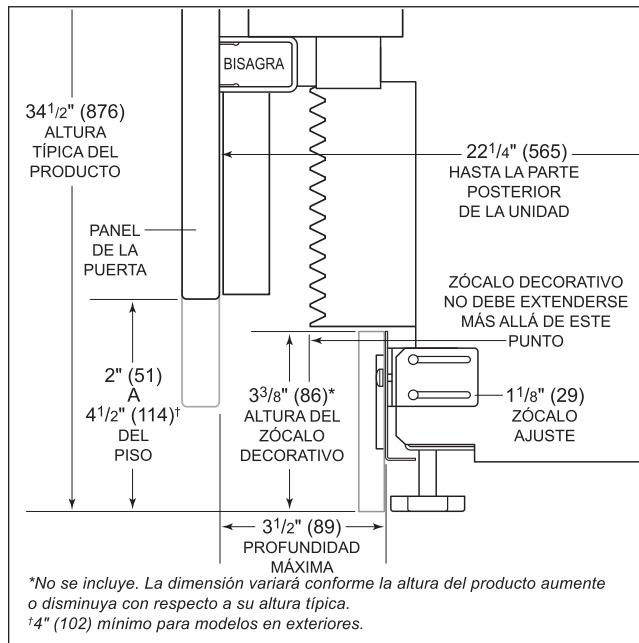
Aplique el acabado a todos los lados de los paneles personalizados. Estos serán visibles con la puerta abierta.

Se recomienda usar manijas estilo D. Ubique la manija cerca del borde del panel opuesto a la bisagra y centrada entre los extremos superior e inferior. Están disponibles manijas tubulares y pro de acero inoxidable a través de los distribuidores autorizados Sub-Zero.

Panel de la puerta

Separación del zócalo

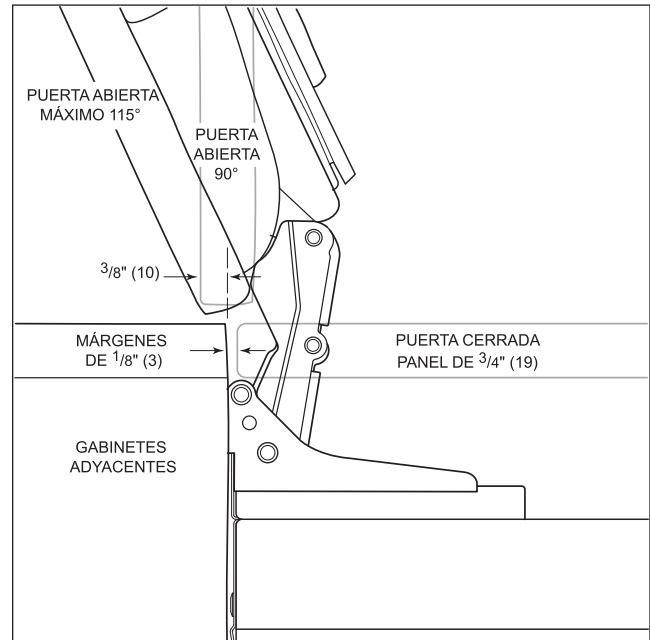
La altura de la zona del zócalo puede ser mayor que la altura típica, siempre y cuando no se excedan las dimensiones de la ilustración siguiente. Para preguntas sobre la instalación, comuníquese con la línea de atención al cliente de Sub-Zero llamando al 800-222-7820.



Vista lateral

Abertura máxima de la puerta

A medida que el ancho o la profundidad del panel aumenta, también lo hace el potencial de interferencia del panel. Un tope para puerta a 90° puede minimizar la interferencia.

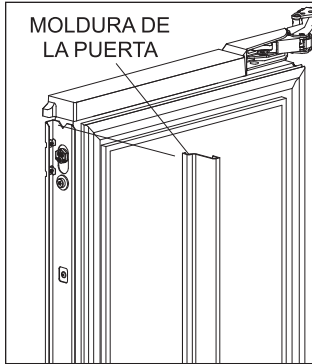


Vista superior

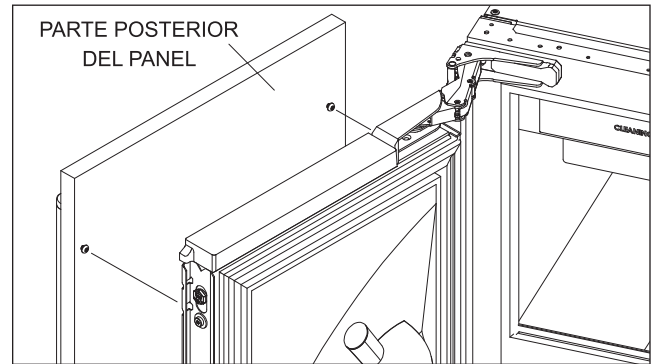
Instalación de los paneles

Desmontaje de las molduras de la puerta

Retire la moldura lateral decorativa de la puerta. Comience en la parte superior y vaya zafando las grapas. Continúe hacia abajo hasta retirar la moldura por completo.



Alinee los tornillos de soporte en la parte posterior del panel con los agujeros ranurados en los dos soportes de montaje de la puerta. Abrir la puerta un poco puede ayudar con la alineación.

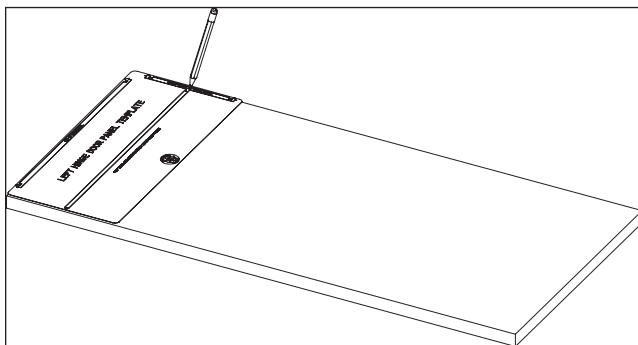


⚠ PRECAUCIÓN

Mientras más disminuyan los márgenes entre los gabinetes y la unidad, al cerrarse la puerta se pueden pellizcar fuertemente los dedos.

Instalación del panel de la puerta

La colocación de la plantilla se debe ajustar para paneles que exceden las dimensiones típicas. Coloque el panel boca abajo sobre una superficie de trabajo protegida. Coloque la plantilla a ras con la parte superior y el lado abisagrado del panel. Compruebe que esté usando el lado correcto de la plantilla; luego, marque y taladre los orificios de guía.



Plantilla del panel de la puerta

Utilice el destornillador Torx para insertar parcialmente ocho tornillos de $\frac{1}{2}$ " en los orificios en cada lado del panel. Los tornillos deben sobresalir aproximadamente $\frac{3}{16}$ " (4 mm) del panel y soportar el peso del panel durante la instalación.

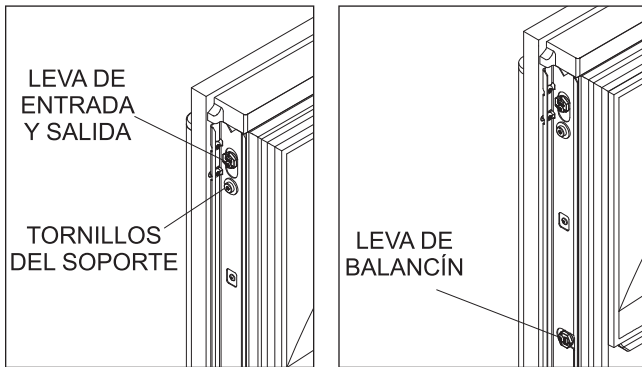
Instalación de los paneles

Ajuste del panel de la puerta

Cierre la puerta. Haga cualquier ajuste necesario para alinear los paneles y los márgenes.

Para el ajuste lateral, mueva el panel de lado a lado; luego, instale y apriete un tornillo de montaje en cada esquina para asegurar el panel a los soportes de montaje.

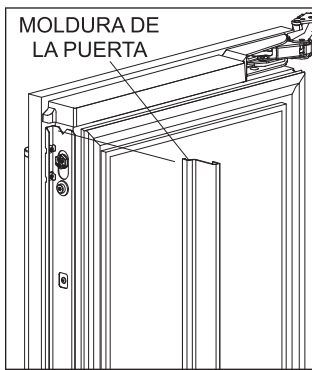
Para los ajustes de arriba y hacia abajo, y hacia adentro y hacia afuera, afloje un poco los tornillos del soporte. Dependiendo del nivel de ajuste requerido, puede ser útil aflojar todos los tornillos del soporte lo que permitirá un ajuste máximo. Una vez que haya aflojado los tornillos del soporte, use una llave hexagonal para girar las levas para realizar los ajustes. Después de realizar los ajustes, apriete todos los tornillos del soporte.



Instalación

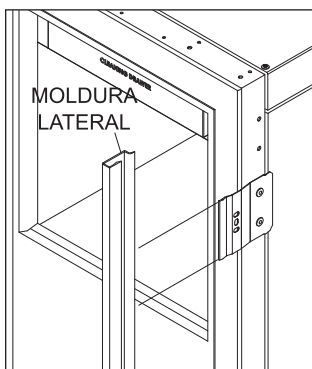
Instalación del ribete de la puerta

Una vez que el panel de la puerta haya sido ajustado, instale el lado decorativo del ribete en la puerta. Para instalarlo, comience en la parte superior alinee el ribete con las bridas frontal y posterior en el soporte y colóquelo a presión en su lugar, empujando el ribete hacia la parte posterior del panel. Una vez que la parte inferior está asegurada, siga la instalación hacia abajo hasta que el ribete restante esté completamente asegurado.



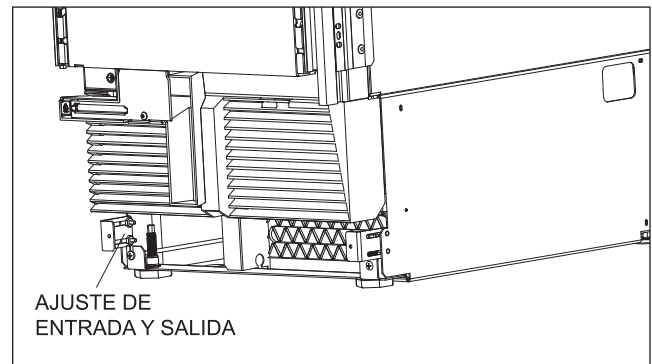
Instalación del ribete lateral

Instale la tira de ribete decorativo en el lado de la manija de la unidad. El ribete lateral se abrocha sobre el soporte unido al lado de la manija de la unidad.



Instalación del zócalo

El zócalo debe ser desmontable para sacarlo cuando sea necesario hacerle servicio a la máquina. El suelo no debe interferir al desmontarlo. Apriete con los dedos las tuercas del soporte de ajuste. Haga ajustes hacia adentro y hacia afuera, luego apriete con llave las tuercas del soporte. Instale el zócalo con los tornillos proporcionados.



Se puede fijar un zócalo decorativo al zócalo instalado de fábrica. No se puede fijar un zócalo decorativo si se instala en exteriores.

Para instalar un zócalo decorativo, retire el papel protector de los imanes y adhiera el zócalo decorativo a los imanes. Los imanes permiten retirar el zócalo decorativo si fuese necesario.

Desecho

⚠ ADVERTENCIA

Siga todas las leyes estatales y locales para almacenar, reciclar o desechar los refrigeradores y congeladores no utilizados.

Machine à glaçons sous le comptoir série Concepteur

Remarque importante

Les caractéristiques et les spécifications peuvent être modifiées en tout temps sans préavis. Visitez subzero-wolf.com/specs pour obtenir les renseignements les plus récents.

Pour s'assurer que ce produit est installé et utilisé en toute sécurité et aussi efficacement que possible, prenez note des types de renseignements mis en évidence tout au long de ce guide :

REMARQUE IMPORTANTE : met en évidence des renseignements qui sont particulièrement importants.

⚠ MISE EN GARDE

Indique une situation où une blessure mineure ou des dommages au produit peuvent se produire si les directives ne sont pas respectées.

⚠ AVERTISSEMENT

Décrit un danger qui peut causer une blessure grave ou la mort si les précautions ne sont pas respectées.

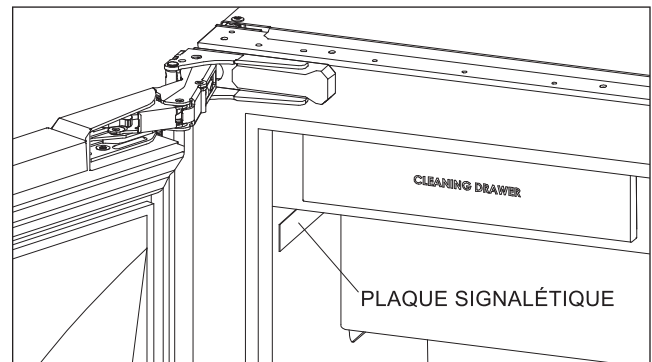
REMARQUE IMPORTANTE : Tout au long de ce guide, les dimensions entre parenthèses sont en millimètres à moins d'indication contraire.

REMARQUE IMPORTANTE : conservez ces directives pour l'inspecteur en électricité local.

Renseignements sur le produit

Des renseignements importants sur le produit, y compris les numéros de modèle et de série se trouvent sur la plaque signalétique du produit. Si vous avez besoin de service, communiquez avec le service Sub-Zero certifié par l'usine et fournissez les numéros de modèle et de série. Pour obtenir le nom du centre de service Sub-Zero certifié par l'usine le plus près de chez vous ou si vous avez des questions concernant l'installation, consultez la section service et assistance de notre site Web <https://subzero-wolf.com/assistance>, ou appelez le service à la clientèle de Sub-Zero au 800 222-7820.

La plaque signalétique est située sur la paroi latérale gauche de l'unité.

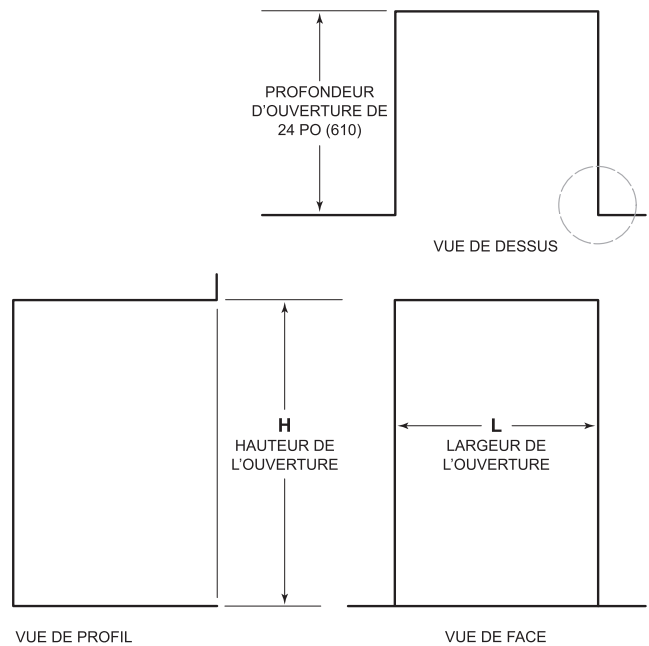


Dimensions de l'ouverture

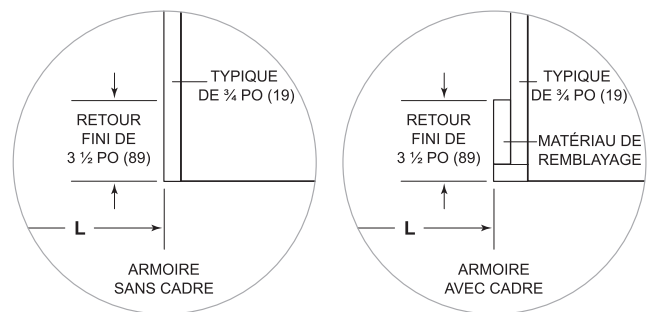
La profondeur de chaque modèle est de $22 \frac{1}{4}$ po (565 mm). Allouez de l'espace pour l'épaisseur du panneau durant la planification de la profondeur de l'ouverture finie. Un retour fini d'au moins $3 \frac{1}{2}$ po (89 mm) est requis sur tous les côtés de l'ouverture. Les armoires encadrées nécessitent un matériau de remblayage supplémentaire derrière le cadre avant pour obtenir une installation appropriée.

REMARQUE IMPORTANTE : Dans la mesure du possible, placez les connexions électriques et de plomberie dans une armoire adjacente.

DIMENSIONS DE L'OUVERTURE	L	H
Modèle de 15 po (381 mm)	15 po (381 mm)	$34 \frac{1}{2}$ po (876 mm)



REMARQUE : les retours finis de $3 \frac{1}{2}$ po (89) seront visibles et doivent être finis pour s'agencer aux armoires.



Préparation du site

Installation double

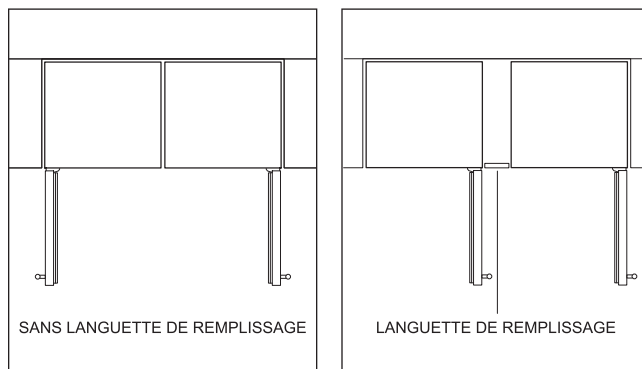
Si deux unités sont installées côte à côte, une trousse d'installation double pourra être requise. Les installations sans languette de remplissage personnalisée nécessitent une trousse d'installation double. Si une trousse d'installation double n'est pas précisée, une languette de remplissage de 2 po (51 mm) est recommandée entre les unités. Les installations doubles sans languette de remplissage ne peuvent être réussies qu'en utilisant deux unités avec des charnières opposées.

Les trousse d'installation double sont offertes par les dépositaires Sub-Zero autorisés. Si vous avez des questions au sujet de l'installation, communiquez avec le service à la clientèle de Sub-Zero au 800 222-7820.

LARGEUR D'OUVERTURE DOUBLE

L

Deux modèles de 15 po (381 mm)	30 po (762 mm)
Modèles de 15 po (381 mm) et de 24 po (610 mm)	39 po (991 mm)



Exigences électriques

L'installation doit se conformer à tous les codes électriques applicables.

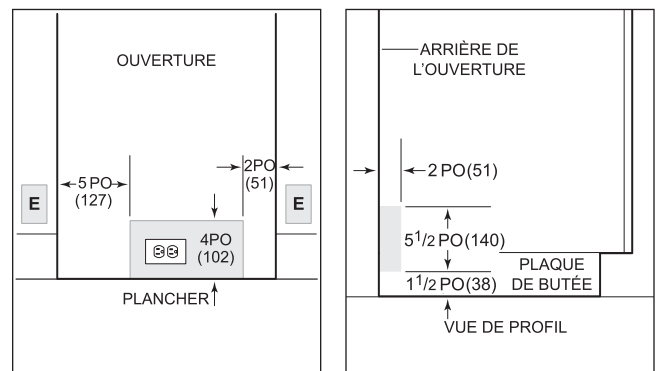
Pour faciliter l'installation, l'alimentation électrique peut être placée dans une armoire adjacente à portée du cordon d'alimentation. Si l'alimentation électrique se trouve à l'intérieur de l'ouverture, elle doit être située dans la zone ombragée indiquée dans l'illustration ci-dessous.

REMARQUE IMPORTANTE : Un disjoncteur de fuite à la terre (DDFT) n'est pas recommandé et peut causer une interruption du fonctionnement lorsqu'il est installé à l'intérieur. Un disjoncteur de fuite à la terre (DDFT) est requis pour réduire le risque de choc électrique lorsqu'il est installé à l'extérieur.

La prise doit être placée de façon à ce que la broche de mise à la terre se trouve à la droite des broches plus minces.

EXIGENCES ÉLECTRIQUES

Alimentation électrique	115 volts CA, 60 Hz
Service après vente	Circuit dédié de 15 ampères
Prise	Type de mise à la terre à 3 broches



⚠ MISE EN GARDE

La prise doit être vérifiée par un électricien qualifié pour s'assurer qu'elle est câblée avec la polarité appropriée. Assurez-vous que la prise est correctement mise à la terre.

⚠ AVERTISSEMENT

Si le cordon d'alimentation est endommagé, il doit être remplacé par le fabricant, son agent de service ou des personnes qualifiées similaires afin d'éviter tout danger.

⚠ AVERTISSEMENT

Ne placez pas des prises de courant portatives, une rallonge multiprises ou des sources d'alimentation portatives à l'arrière de l'appareil.

⚠ AVERTISSEMENT

N'utilisez pas une rallonge ou un adaptateur à deux broches et ne retirez pas la broche de mise à la terre du cordon d'alimentation.

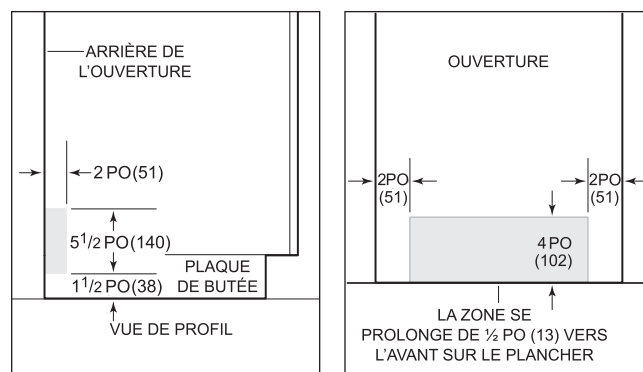
Exigences de plomberie

L'installation doit être conforme à tous les codes de plomberie applicables.

Pour les modèles à évacuation par gravité uniquement, le raccordement d'évacuation et le tube d'évacuation excédentaire (derrière l'appareil ou dans une armoire adjacente) ne peuvent pas dépasser 7 po (178 mm) au-dessus du bas des pieds de mise à niveau. Pour faciliter l'installation, diminuez la longueur du tube d'évacuation jusqu'à ce qu'elle soit la plus courte possible.

Pour faciliter l'installation, le robinet d'arrêt de l'eau et l'évacuation peuvent être placés dans une armoire adjacente à portée des conduites d'alimentation. Si les raccords sont situés à l'intérieur de l'ouverture, ils doivent être dans la zone ombragée illustrée ci-dessous. N'utilisez pas de soupapes autoperforantes.

Acheminez l'alimentation en eau dans la zone ombragée indiquée dans l'illustration ci-dessous. Reliez l'alimentation en eau à l'alimentation en eau froide de la résidence avec un robinet d'arrêt facilement accessible entre l'alimentation et l'unité.



Sub-Zero suggère d'utiliser une osmose inverse ou une alimentation en eau douce froide, à condition que l'unité soit alimentée à une pression constante de 2,4 à 8,3 bars (35 à 120 psi) en tout temps. Une conduite en cuivre n'est pas recommandée pour une alimentation en eau par osmose inverse.

Préparation du site

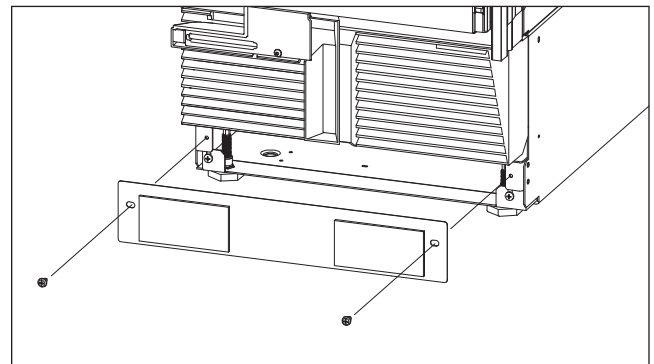
EXIGENCES DE PLOMBERIE

Connexion d'alimentation en eau	Tubulure en plastique de 6 pi (1,8 m) avec raccord d'union de compression de $\frac{1}{4}$ po (6,35 mm)
Raccordement d'évacuation	Tube ondulé de 10 pi (3 m)
Pression d'eau	35 à 120 lb/po ² (2,4 à 8,3 bars)
Température de l'eau	40 à 100 °F (4 à 38 °C)

Préparation

Retirez et recyclez les matériaux d'emballage. Ne jetez pas la plaque de protection, le support antibasculement et la quincaillerie.

Retirez la plaque de protection en enlevant les deux vis de montage.

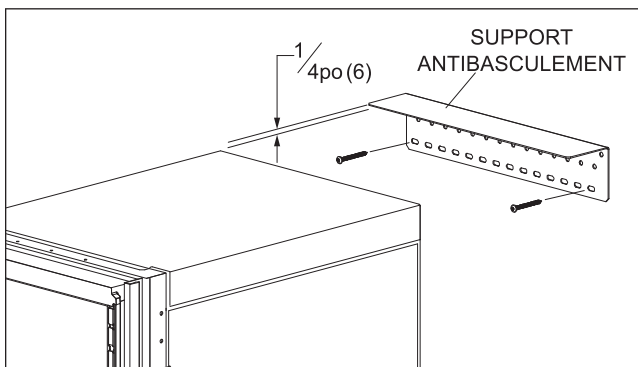


Support antibasculement

⚠ AVERTISSEMENT

Pour empêcher l'unité de basculer vers l'avant, le support antibasculement doit être installé.

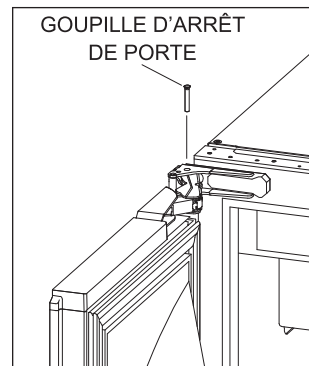
Le support antibasculement doit être fixé au mur derrière l'unité avec la bride du support située à une distance de $\frac{1}{4}$ po (6,35 mm) au-dessus de la partie supérieure de l'unité. Si le support antibasculement n'est pas aligné adéquatement, il ne s'enclenchera pas correctement.



Butée de porte de 90°

REMARQUE IMPORTANTE : Si vous souhaitez que la porte s'ouvre à 90°, les goupilles doivent être installées avant de placer l'unité dans l'ouverture.

Pour installer, ouvrez la porte à environ 80°. Insérez une goupille dans chaque charnière.



Installation

Mise en place

⚠ MISE EN GARDE

Avant de mettre l'unité en place, sécurisez la porte en position fermée et protégez tout plancher fini.

⚠ AVERTISSEMENT

Lorsque vous placez l'appareil, vérifiez que le cordon d'alimentation ne soit pas pris ou endommagé.

Utilisez un chariot à appareil pour déplacer l'unité près de l'ouverture.

Si l'unité a été posée sur le dos ou le côté, elle doit être mise en position verticale pendant au moins 24 heures avant de relier l'alimentation.

Branchez le cordon d'alimentation dans la prise mise à la terre.

Conduite d'alimentation en eau

⚠ AVERTISSEMENT

Reliez à une alimentation en eau potable seulement.

REMARQUE IMPORTANTE : ne réutilisez pas un ancien jeu de tuyaux pour le raccordement au réseau d'alimentation de l'eau. Utilisez le nouveau jeu de tuyaux fourni avec l'appareil.

Purgez la conduite d'alimentation en eau avant d'effectuer la dernière connexion vers l'unité. Raccordez le tuyau en plastique de $\frac{1}{4}$ po (6,35 mm) de l'unité à l'alimentation en eau. Ouvrez l'alimentation en eau et vérifiez s'il y a des fuites.

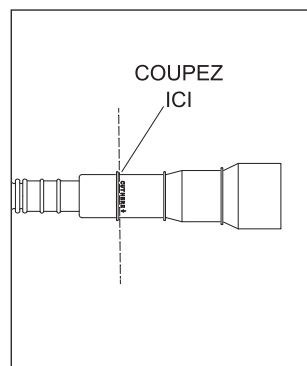
REMARQUE IMPORTANTE : Les conduites d'alimentation en eau ne doivent pas être exposées au gel.

Conduite d'évacuation

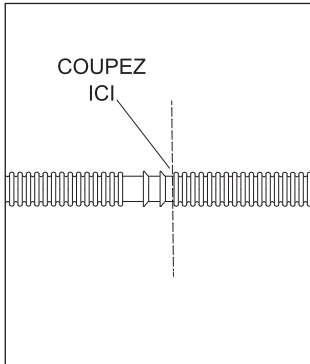
Pour faciliter l'installation, diminuez la longueur du tube d'évacuation jusqu'à ce qu'elle soit la plus courte possible.

Pour raccourcir la conduite d'évacuation :

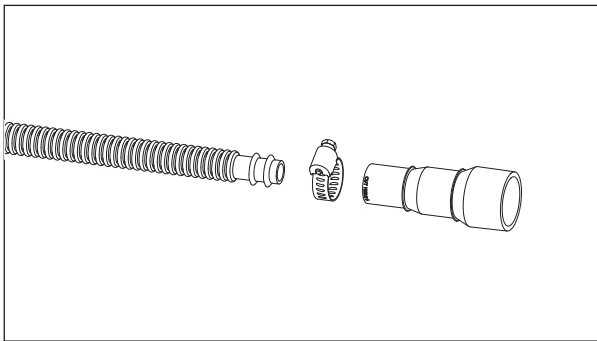
- 1 Retirez le connecteur en caoutchouc de l'extrémité de la conduite d'évacuation.



- 2 Coupez la conduite d'évacuation à la longueur désirée, mais laissez deux arillons existants. Deux arillons doivent rester sur la section de la conduite d'évacuation.



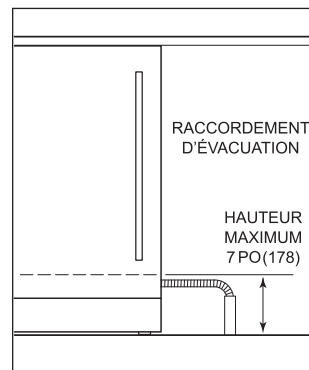
- 3 Placez le collier de serrage sur la conduite d'évacuation, puis insérez la conduite d'évacuation dans le connecteur en caoutchouc.



- 4 Serrez le collier de serrage pour fixer le connecteur en caoutchouc à la conduite d'évacuation.

Raccordement d'évacuation

Pour les modèles à évacuation par gravité uniquement, le raccordement d'évacuation et le tube d'évacuation excédentaire (derrière l'appareil ou dans une armoire adjacente) ne peuvent pas dépasser 7 po (178 mm) au-dessus du bas des pieds de mise à niveau. Pour faciliter l'installation, diminuez la longueur du tube d'évacuation jusqu'à ce qu'elle soit la plus courte possible.



- 1 Pour les modèles à évacuation par gravité, acheminez le tuyau d'évacuation vers l'emplacement de l'évacuation. Pour les modèles à pompe, connecter le tube d'évacuation en suivant la réglementation locale. Le raccordement d'évacuation convient à des raccords d'évacuation de 1 po (25), $\frac{3}{4}$ po (19) et $\frac{5}{8}$ po (16). Le raccordement doit être coupé pour s'adapter à des raccords de $\frac{3}{4}$ po (19) et $\frac{5}{8}$ po (16).
- 2 Glissez l'unité dans l'ouverture.
- 3 Ajoutez un gallon (3,8 l) d'eau froide au bac à glaçons.
- 4 Vérifiez que l'eau est complètement évacuée du bac à glaçons et qu'il n'y a pas de fuites. Si l'eau ne s'évacue pas, vérifiez que l'évacuation est installée correctement et qu'elle n'est pas pliée.

Installation

Nivellement

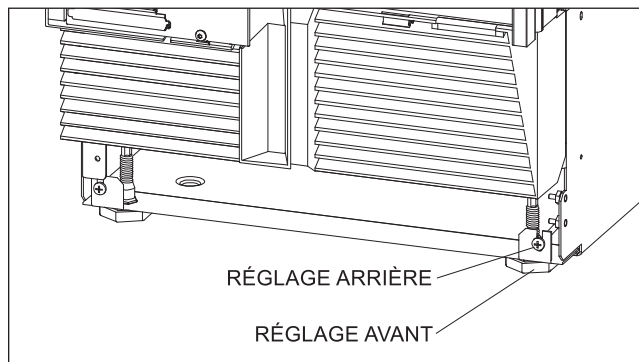
Une fois l'unité en place, pivotez les pieds avant dans le sens horaire pour la relever ou dans le sens antihoraire pour l'abaisser. Le réglage de la hauteur arrière peut être effectué à partir de l'avant. Au moyen d'un tournevis cruciforme, tournez dans le sens horaire pour relever l'unité ou dans le sens antihoraire pour l'abaisser. Utilisez le réglage de couple le plus bas lorsque vous utilisez une perceuse électrique. Ne tournez pas les pieds d'inclinaison à la main.

Lorsque l'unité est correctement mise au niveau, des réglages à la porte sont moins susceptibles d'être nécessaires.

REMARQUE IMPORTANTE : nivelez l'unité en fonction du plancher, pas des armoires environnantes. Cela pourrait affecter le fonctionnement de l'unité, comme la fermeture de la porte.

⚠ AVERTISSEMENT

Afin de réduire le risque de basculement vers l'avant de l'unité, les pieds de nivellement avant doivent être en contact avec le plancher.



Ancrage

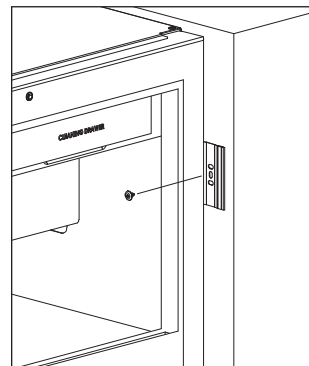
⚠ MISE EN GARDE

Si vous utilisez une perceuse électrique pour pré-percer des trous ou poser des vis, vérifiez que le mandrin de la perceuse n'entre pas en contact avec le cadre avant de l'unité.



Réglez la profondeur de l'unité afin qu'elle soit à égalité avec les armoires adjacentes. Tenez compte de l'épaisseur du panneau. Une fois alignées, vérifiez que la porte s'ouvre correctement, puis installez les vis no 8 x 1/2 po (12,7 mm) à tête décorative sur chaque support.



⚠ AVERTISSEMENT

Pour éviter tout danger associé à l'instabilité de l'appareil, elle doit être corrigée conformément aux directives.



Nettoyage

Sub-Zero recommande de nettoyer la machine à glaçons lors du démarrage initial, puis tous les trois à six mois, en fonction de la dureté de l'eau. Une arrivée d'eau dure peut nécessiter un nettoyage plus fréquent. Le rappel de nettoyage par défaut est de trois mois, mais il peut être prolongé à six mois lorsque la ligne d'arrivée d'eau a une faible dureté, comme avec l'eau douce froide ou l'osmose inverse. Pour modifier la durée avant rappel, touchez , puis touchez , puis sélectionnez la période souhaitée. Si la qualité de la glace change entre les nettoyages, réduisez la période pour recevoir des rappels de nettoyage plus fréquents.



Le voyant de statut devient rouge pendant le détartrage et la désinfection, clignote en vert lorsqu'une action est requise et reste vert lorsque le processus est terminé. Pour démarrer un cycle de nettoyage de façon proactive, appuyez sur , puis sur .

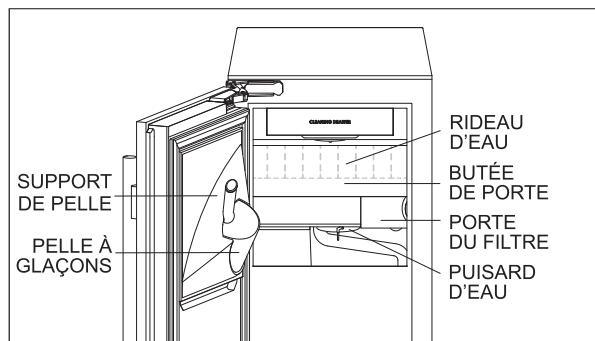
⚠ AVERTISSEMENT


Portez des gants et un dispositif de protection des yeux et suivez toutes les directives du fabricant lorsque vous utilisez le détartrant et le désinfectant.

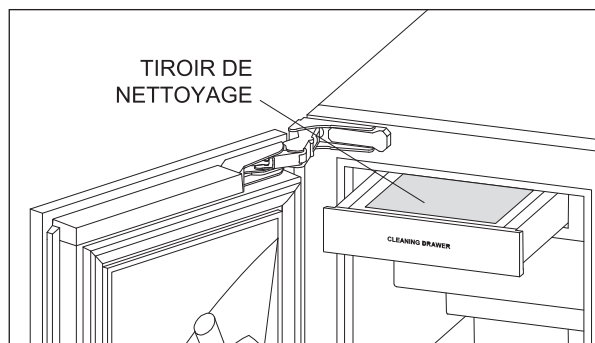
REMARQUE IMPORTANTE : Vérifiez que des solutions détartrantes et désinfectantes pour la machine à glaçons sont disponibles avant de commencer le processus de nettoyage. Le détartrant et le désinfectant sont disponibles en ligne à l'adresse subzero-wolf.com/store. Pour toute question, communiquez avec le service à la clientèle de Sub-Zero à 800-222-7820.

Pour nettoyer :

- 1 appuyez sur « Proceed » (procéder).
- 2 Le message « Empty Ice Bin » (vider le bac à glaçons) s'affiche sur l'écran tactile. Retirez tous les glaçons du bac, puis appuyez sur .
- 3 Appuyez sur « Yes » (oui) pour confirmer que le bac est vide.
- 4 Le message « Wipe Interior » (Essuyer l'intérieur) s'affiche sur l'écran tactile. Utilisez de l'eau tiède, un détergent doux et une brosse souple ou un chiffon pour nettoyer l'intérieur, y compris le fond du puisard d'eau, la butée de porte, la porte du filtre, la partie avant du rideau d'eau et les zones adjacentes, le support de pelle et la pelle à glaçons. Rincez toutes les surfaces intérieures à l'eau chaude, puis appuyez sur .




- 5 « Add 1/2 Cup Descaler » (Ajouter une demi-tasse de détartrant) apparaît sur l'écran tactile.
- 6 Ouvrez le tiroir de nettoyage, ajoutez $\frac{1}{2}$ tasse (118 ml) de détartrant, fermez le tiroir, puis appuyez sur .



- 7 Le message « Confirm Descaler Added » (confirmer l'ajout du détartrant) s'affiche sur l'écran tactile. Appuyez sur « Yes » (oui), puis fermez la porte de la machine à glaçons.
- 8 Le message « Descaling...1 Hr Until Complete, 30 Min Until Next Step » (Détartrage... 1 h avant la fin, 30 min avant la prochaine étape) s'affiche sur l'écran tactile. Ce dernier se met à jour régulièrement pour indiquer le temps qu'il reste. Le voyant de statut devient rouge lors du processus de détartrage, et vert lorsque le processus est terminé.
- 9 Après environ 30 minutes, « Add $\frac{1}{2}$ Tbsp Sanitizer Then $\frac{1}{2}$ Cup Water » (Ajouter une demi-cuillère à soupe de désinfectant puis une demi-tasse d'eau) apparaît sur l'écran tactile.

Installation

- 10** Ouvrez le tiroir de nettoyage, ajoutez-y $\frac{1}{2}$ cuillère à soupe (8 ml) de désinfectant, puis versez $\frac{1}{2}$ tasse (118 ml) d'eau du robinet.
- 11** Fermez le tiroir, puis appuyez sur .
- 12** Le message « Confirm Sanitizer Added » (confirmer l'ajout du désinfectant) s'affiche sur l'écran tactile. Appuyez sur « Yes » (oui), puis fermez la porte de la machine à glaçons.
- 13** Le message « Sanitizing...30 Min Until Complete » (Désinfection... 30 min avant la fin) s'affiche sur l'écran tactile. Ce dernier se met à jour régulièrement en affichant le temps qu'il reste. Le voyant de statut devient rouge lors du processus de désinfection et vert lorsqu'il est terminé.
- 14** « Clean Complete. Touch To Dismiss » (Nettoyage terminé. Appuyer pour ignorer) apparaît à l'écran lorsque le processus est terminé.

Panneau de porte

Panneau en acier inoxydable

Des panneaux en acier inoxydable sont offerts par les dépositaires Sub-Zero autorisés. Les panneaux en acier inoxydable incluent un couvercle de plaque de protection en acier inoxydable.

Des jeux d'au moins $\frac{1}{8}$ po (3 mm) sont requis.

Panneau personnalisé

Un panneau de porte personnalisé et la quincaillerie de poignée doivent être installés.

Un panneau mesurant un minimum de $\frac{5}{8}$ po (16) et un maximum de $\frac{3}{4}$ po (19) d'épaisseur est requis. Le poids du panneau ne doit pas dépasser le poids de panneau maximal. La profondeur de chaque modèle est de 22 $\frac{1}{4}$ po (565 mm). Allouez de l'espace pour l'épaisseur du panneau durant la planification de la profondeur de l'ouverture finie.

Des jeux d'au moins $\frac{1}{8}$ po (3 mm) sont requis.

POIDS DU PANNEAU

MAX.

Modèle de 15 po (381 mm)

15 lb (7 kg)

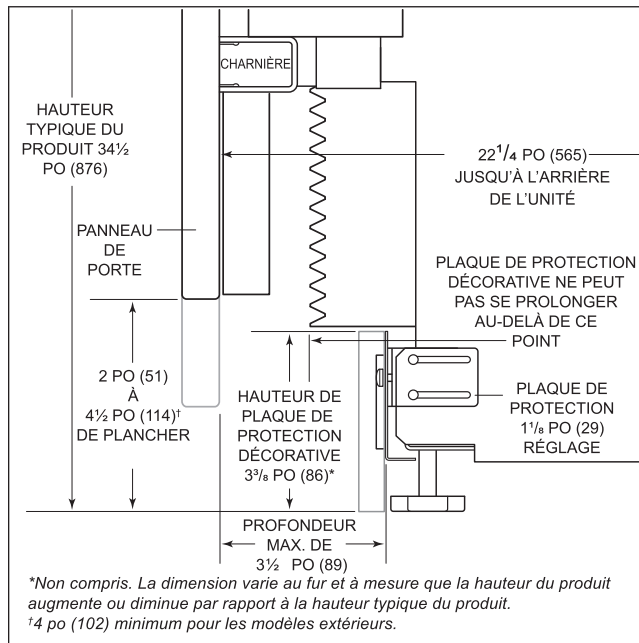
Finissez tous les côtés du panneau personnalisé. Ils seront visibles lorsque la porte est ouverte.

Une poignée en forme de D est recommandée. Placez la poignée de porte près du rebord du panneau opposé à la charnière et au centre de haut en bas. Des poignées tubulaires et professionnelles en acier inoxydable sont offertes par les dépositaires Sub-Zero autorisés.

Panneau de porte

Dégagement du coup-de-pied

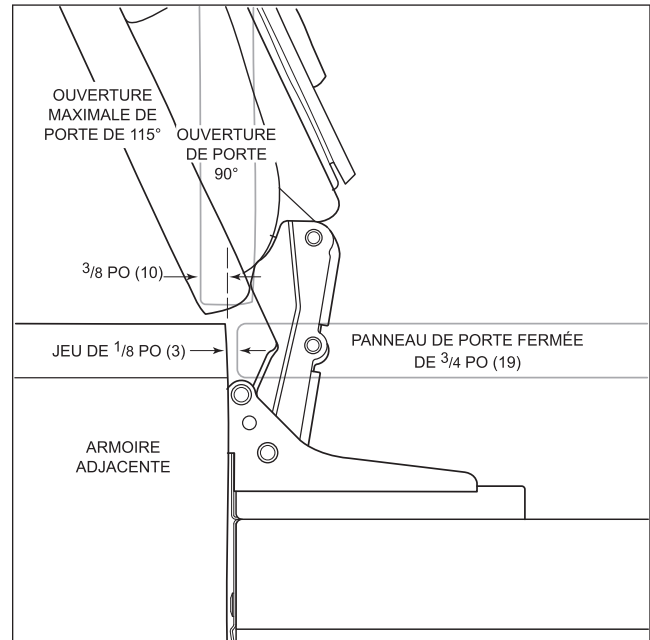
La hauteur de la zone de coup-de-pied peut se prolonger au-delà de la hauteur typique du coup-de-pied, à condition qu'elle ne dépasse pas les dimensions dans l'illustration ci-dessous. Si vous avez des questions au sujet de l'installation, communiquez avec le service à la clientèle de Sub-Zero au 800 222-7820.



Vue de profil

Ouverture maximale de la porte

L'augmentation de la largeur ou de la profondeur du panneau augmente aussi la possibilité d'interférence du panneau. Une butée de porte de 90° peut minimiser l'interférence.

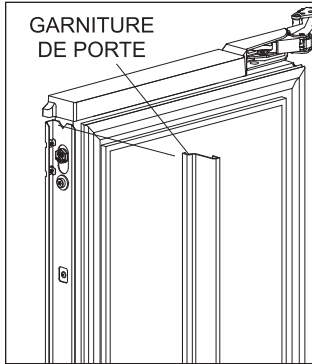


Vue de dessus

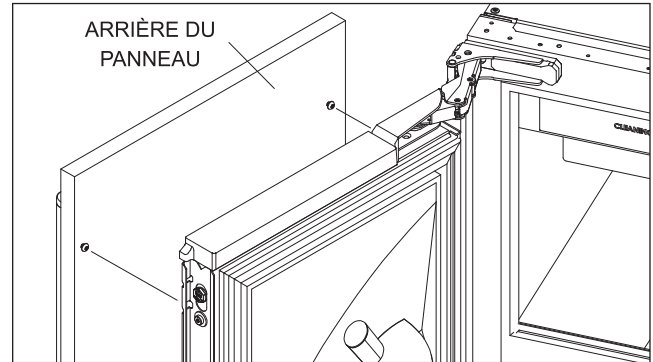
Installation du panneau

Retrait de la garniture de porte

Retirez la garniture latérale décorative de la porte. Commencez par le haut et décrochez-la. Continuez vers le bas jusqu'à ce que la garniture restante soit complètement retirée.



Le fait d'ouvrir la porte légèrement peut aider à effectuer l'alignement.

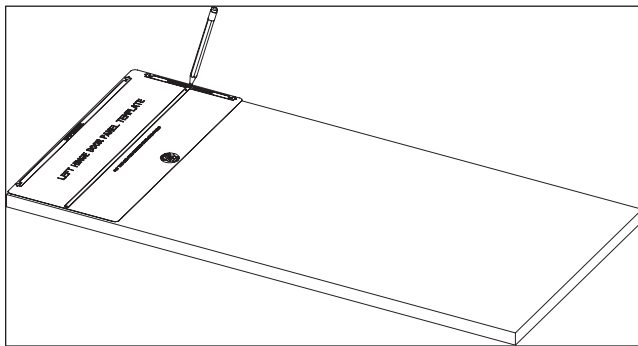


⚠ MISE EN GARDE

Lorsque les jeux entre les armoires et l'unité diminuent, il y a des risques de pincements graves des doigts pendant la fermeture de la porte.

Installation du panneau de porte

La position du gabarit doit être ajustée pour les panneaux qui dépassent les dimensions typiques. Placez le panneau vers le bas sur une surface de travail protégée. Placez le gabarit à égalité avec le haut et les côtés de la charnière du panneau. Assurez-vous d'utiliser le bon côté du gabarit, puis marquez et percez les avant-trous.



Gabarit du panneau de porte

Utilisez un entraînement Torx pour partiellement insérer une vis no 8 x $\frac{1}{2}$ po (12,7 mm) dans les trous de chaque côté du panneau. Les vis doivent dépasser le panneau d'environ $\frac{3}{16}$ po (4) et soutiendront le poids du panneau pendant l'installation.

Alignez les vis de soutien à l'arrière du panneau avec les trous allongés sur les deux supports de montage de porte.

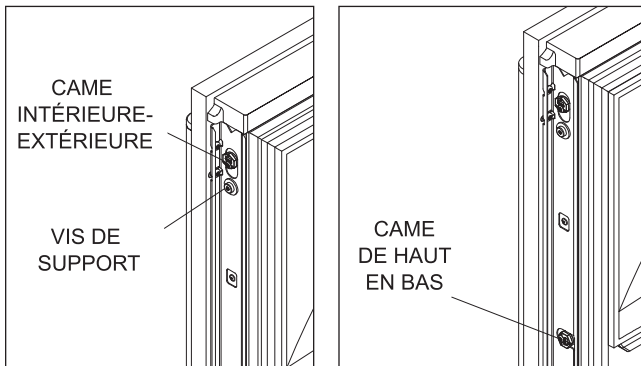
Installation du panneau

Réglage du panneau de la porte

Fermez la porte. Effectuez les réglages nécessaires pour aligner les panneaux et les jeux.

Pour le réglage d'un côté à l'autre, déplacez le panneau d'un côté à l'autre, puis installez et serrez une vis de montage dans chaque coin pour fixer le panneau aux supports de montage.

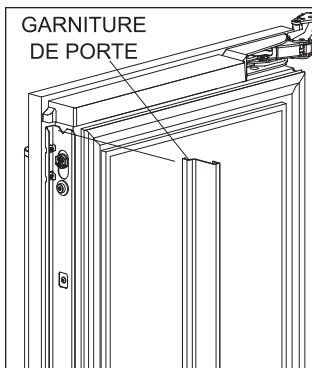
Pour les réglages de haut en bas et vers l'intérieur ou l'extérieur, desserrez légèrement les vis de support. Selon le niveau de réglage requis, il pourra s'avérer utile de desserrer toutes les vis de support pour permettre un réglage maximal. Une fois les vis de support desserrées, utilisez une clé pour faire pivoter les cames afin d'effectuer les réglages. Une fois les réglages terminés, serrez toutes les vis de support.



Installation

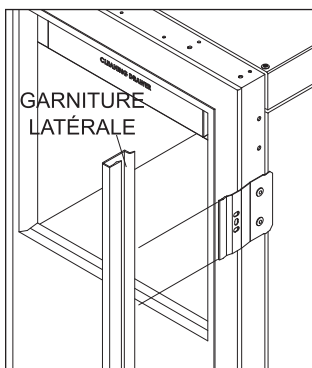
Installation de la garniture de porte

Une fois le panneau de porte bien ajusté, installez la garniture décorative latérale sur la porte. Pour installer, commencez par le haut et alignez la garniture avec les brides avant et arrière du support, puis enclenchez en place en poussant la garniture vers l'arrière du panneau. Une fois la partie supérieure sécurisée, continuez l'installation vers le bas jusqu'à ce que la garniture restante soit complètement fixée.



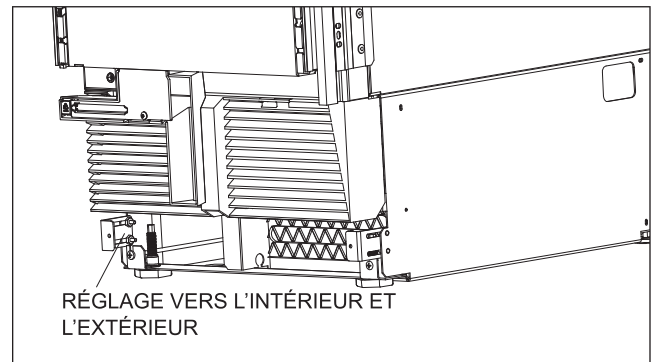
Installation de la garniture latérale

Installez la bande de garniture décorative du côté de la poignée de l'unité. La garniture latérale s'enclenche sur le support fixé sur le côté poignée de l'unité.



Installation de la plaque de protection

La plaque de protection doit pouvoir être enlevée pour toute réparation. Le plancher ne doit pas nuire à l'enlèvement. Serrez manuellement les écrous de réglage des supports. Effectuez des réglages vers l'intérieur ou l'extérieur, puis serrez les écrous de support avec une clé. Installez la plaque de protection avec les vis fournies.



Une plaque de protection décorative peut être fixée à la plaque de protection installée en usine. Une plaque de protection décorative ne peut pas être fixée lors d'une installation à l'extérieur.

Pour installer une plaque de protection décorative, retirez l'endos en papier des aimants et fixez la plaque de protection décorative aux aimants. Les aimants permettent le retrait de la plaque de protection décorative si nécessaire.

Élimination

⚠ AVERTISSEMENT

Respectez toutes les lois provinciales et locales lors de l'entreposage, le recyclage ou l'élimination des réfrigérateurs et des congélateurs non utilisés.



SUB-ZERO APPLIANCE, INC. P.O. BOX 44848 MADISON, WI 53744 SUBZERO.COM 800.222.7820

9072713 REV-A

08/2025

