

L SERIES OVEN  
**USE AND CARE GUIDE**

---

CLEANING, MAINTENANCE, AND MORE

---



## Contents

- 4 Safety Precautions
- 6 L Series Oven Features
- 7 Oven Operation
- 13 Care Recommendations
- 14 Troubleshooting
- 15 Wolf Warranty

## Customer Care

The model and serial number are printed on the enclosed product registration card. Both numbers are also listed on the product rating plate. Refer to page 6 for rating plate location. For warranty purposes, you will also need the date of installation and name of your authorized Wolf dealer. Record this information below for future reference.

### SERVICE INFORMATION

Model Number	_____
Serial Number	_____
Date of Installation	_____
Certified Service Name	_____
Certified Service Number	_____
Authorized Dealer	_____
Dealer Number	_____

If your product ever needs attention, be sure to use a Wolf Factory Certified Service provider recommended by our customer care center, or select one from our list of providers available at [wolfappliance.com/locator](http://wolfappliance.com/locator). All Factory Certified Service providers are carefully selected and thoroughly trained by us.

## Important Note

To ensure this product is installed and operated as safely and efficiently as possible, take note of the following types of highlighted information throughout this guide:

**IMPORTANT NOTE** highlights information that is especially important.

**CAUTION** indicates a situation where minor injury or product damage may occur if instructions are not followed.

**WARNING** states a hazard that may cause serious injury or death if precautions are not followed.

**IMPORTANT NOTE:** Throughout this guide, dimensions in parentheses are millimeters unless otherwise specified.

## IMPORTANT INSTRUCTIONS

### GENERAL SAFETY PRECAUTIONS

- Read this guide carefully before using this appliance to reduce risk of fire, electric shock or injury.
- This appliance must be properly installed and serviced by a qualified installer or service agency and grounded by a qualified technician.
- Clean only those parts listed in this guide.
- Do not use oven cleaners. No commercial oven cleaner or oven liner protective coating of any kind should be used in or around any part of the oven.
- Do not touch heating elements or interior surfaces of oven. Heating elements may be hot even though they are dark in color. Interior surfaces become hot enough to cause burns. During and after use, do not touch, or let clothing or other flammable materials contact heating elements or interior surfaces of oven until they have had sufficient time to cool.
- Always use dry pot holders when removing pans from this appliance. Wet or damp pot holders can cause steam burns. Do not use a towel or bulky cloth in place of pot holders.
- Exercise caution when opening the oven door. Let hot air or steam escape before looking or reaching into the oven.
- Be sure that the oven cool air intake (located above the door) and oven exhaust vent (located below the door) are unobstructed at all times.
- Position oven racks in desired locations when oven is cool. If a rack must be repositioned after the oven is already hot, be sure pot holder does not contact a hot heating element in the oven.

**⚠ CAUTION**

Before using self-clean, remove broiler pan, oven racks, oven rack guides and any other utensils.

## **IMPORTANT INSTRUCTIONS**

### **GENERAL SAFETY PRECAUTIONS**

- Do not repair or replace any part of this appliance unless specifically recommended in literature accompanying this appliance.
- Do not use aluminum foil to line any part of this appliance.
- Never use this appliance to warm or heat the room.
- Do not leave children alone or unattended in the area where this appliance is in use. Never allow children to sit or stand on the appliance.
- Do not use water on grease fires. Smother the flame or use a dry chemical or foam-type extinguisher.
- Do not heat unopened food containers, such as baby food jars and cans. Pressure build-up may cause the container to burst and cause injury.
- Do not store or use gasoline or other flammable vapors and liquids in the vicinity of this or any other appliance.
- Do not store items of interest to children above or at the back of this appliance, as they could climb on the appliance to reach items and be injured.
- Do not clean oven gasket; rubbing or moving the gasket may compromise the door seal.
- Wear proper apparel. Loose-fitting or hanging garments should never be worn while using this appliance.

### **⚠ WARNING**

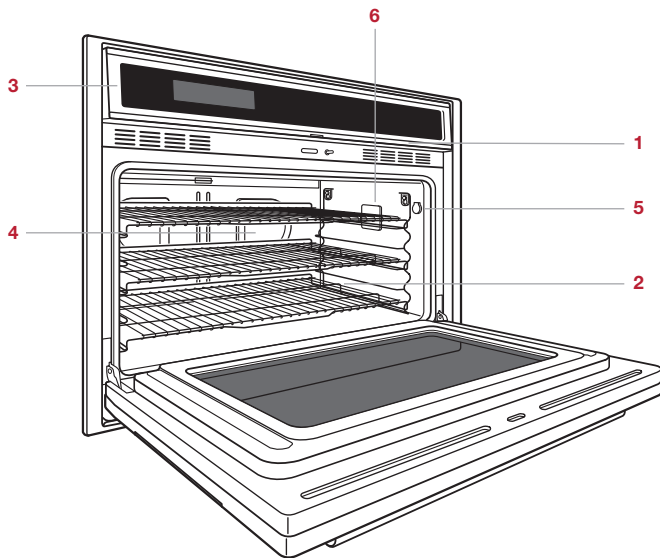
#### **PROPOSITION 65 FOR CALIFORNIA RESIDENTS**

**Cancer and Reproductive Harm—**  
[www.P65Warnings.ca.gov](http://www.P65Warnings.ca.gov)

## L Series Oven Features

### FEATURES

1	Product Rating Plate
2	Adjustable Oven Racks
3	Rotating Control Panel and Display
4	Dual Convection Fans
5	Temperature Probe Receptacle
6	Halogen Lighting



L series 36" single oven

## Getting Started

We know you are eager to start cooking, but before you do, please take some time to read this use & care guide. Whether you are an occasional cook or an expert chef, it will be to your benefit to familiarize yourself with the safety practices, features, operation and care recommendations of your Wolf L series oven.

- Clean the oven thoroughly with hot water and mild detergent. Rinse and dry with a soft cloth to remove any residual oil and grease left from the manufacturing process. Refer to care recommendations on page 13.
- To ensure the best results, review cooking modes and special features on page 10.

### ⚠ CAUTION

Do not place cookware on the oven floor or use aluminum foil or other material to line the oven floor or side walls. Failure to adhere to this notice will damage the porcelain interior and will void your warranty.

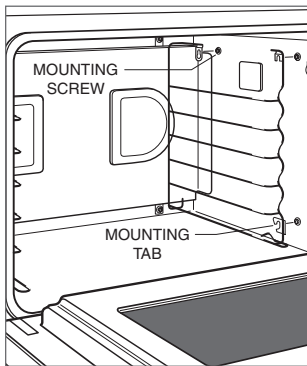
## Oven Racks

### OVEN RACK GUIDES

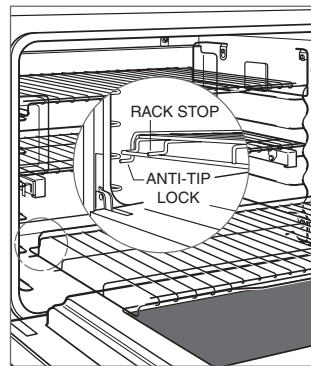
To insert the rack guides in the oven, locate the mounting screws on the oven side walls. Place the rack guide mounting tabs over the screws and slide down until fully seated. Refer to the illustration below.

### OVEN RACKS

To insert a standard rack in the oven, place the rack anti-tip lock under the side rack guide rails. Slide the rack back and lift up to clear the rack stops. Continue to slide the rack back until completely inside the oven. Refer to the illustration below.



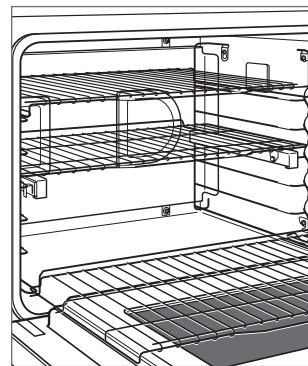
Oven rack guides



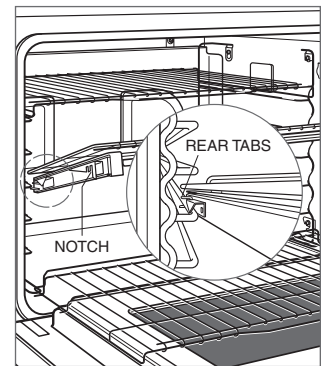
Oven rack anti-tip lock

The bottom oven rack has a full-extension capability which is supported by the oven door. With the rack in the lowest rack guide position, slide it onto the door guides for greater stability and accessibility. Refer to the illustration below.

To insert a full-extension easy glide rack, place the two rear tabs onto the rack guide (one tab above and one below). Refer to the illustration below. Angle the rack slightly and slide back until the front rack notch engages the front rack guide.



Bottom rack



Full-extension rack

## Oven Operation

### CONTROL PANEL

To open or close the rotating control panel, press the switch directly below the control panel. When the electronic control panel is visible, the oven is operational.

The electronic control panel features touch pads for cooking modes and other functions. Refer to the illustration below.

- 1 Touch OVEN ON.
- 2 Touch desired cooking mode on the control panel.
- 3 Touch ENTER to select preset temperature or use number pads to change temperature.
- 4 Touch ENTER.

### CONTROL PANEL LOCK

The control lock feature prevents unwanted oven operation. Touch and hold PANEL LOCK for 3 seconds to lock and unlock the control panel.

### OVEN LIGHT

The oven light turns on automatically when the door is open and off when closed. To turn the light on while the door is closed, touch LIGHT ON/OFF on the control panel.

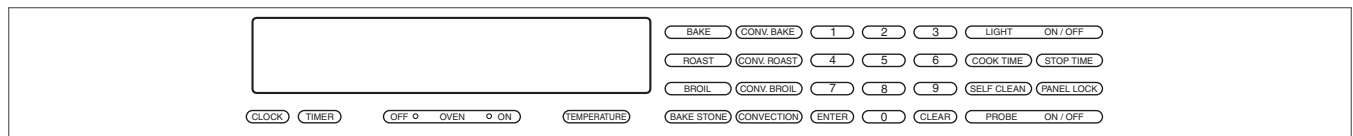
### PRIOR TO USE

To ensure all residual oil from the manufacturing process has been removed, each oven must go through the following procedure.

- 1 Clean oven thoroughly with hot water and a mild detergent. Rinse and dry with a soft cloth.
- 2 Turn on ventilation. Some smoke and odor is normal.
- 3 Touch CONVECTION ROAST and set temperature to 550°F (260°C) for one hour.
- 4 Touch OFF and allow oven to cool with the door closed.

### PREHEAT

During preheat, the oven is heated as quickly and evenly as possible and is not ideal for cooking. Preheat should be utilized for all cooking modes except broil and convection broil. Once preheat is complete, an audible chime indicates oven has reached set temperature.



Control panel



### Oven Operation

#### CLOCK

The clock is visible on the control panel during all cooking modes, except when the timer is in use. It is very important the clock is set to the correct time if a timed cook feature is used. The clock must be reset after a power outage.

##### Setting clock:

- 1 Touch CLOCK on the control panel.
- 2 Touch number pads to set time of day.
- 3 Touch ENTER. An audible chime indicates clock has been set.
- 4 To change from a 12- to 24-hour clock, once clock is set, touch TEMPERATURE for 3 seconds, touch CLOCK, then touch ENTER.

#### TIMER

The timer can be set for a maximum of 9 hours, 59 minutes. Once a time is set, the countdown is illuminated on the control panel display. The last minute counts down in seconds. When complete, the oven will chime and time will flash. The timer will continue to chime every 10 seconds until CLEAR is touched. The timer is independent from the oven. Setting the timer does not affect cook time or stop time. For information regarding auto program features, refer to page 12.

##### Setting timer:

- 1 Touch TIMER on the control panel.
- 2 Touch number pads to set time in hours and minutes.
- 3 Touch ENTER. An audible chime indicates timer has been set.

#### TEMPERATURE SCALE

The oven can display temperature in Fahrenheit (°F) or Celsius (°C).

##### Setting temperature scale:

- 1 While oven is off, touch and hold TEMPERATURE on the control panel for 5 seconds.
- 2 Touch COOK TIME to select F° or C°.
- 3 Touch ENTER.

## Cooking Modes

MODE	TOUCH PAD	PRESET	RANGE	PROBE USES
Convection	CONVECTION	325°F (165°C)	170–550°F (75–290°C)	• Uniform air movement makes it possible to multi-level rack cook with even browning.
Convection Bake	CONV BAKE	375°F (190°C)	170–550°F (75–290°C)	• Ideal for pie baking.
Convection Roast	CONV ROAST	325°F (165°C)	170–550°F (75–290°C)	• Perfect for roasting tender cuts of beef, lamb, pork and poultry.
Convection Broil	CONV BROIL	Low 350°F (175°C) Med 450°F (230°C) High 550°F (290°C)		Shortens broiling times for thicker cuts of meat, fish and poultry. Utilize two-piece broiler pan and always broil with oven door closed.
Bake	BAKE	350°F (175°C)	170–550°F (75–290°C)	• Best for single-rack cooking, primarily baked foods. Use for standard recipes.
Roast	ROAST	350°F (175°C)	170–550°F (75–290°C)	• Best for roasting less tender cuts of meat, such as chuck roasts and stew meat that should be covered.
Broil	BROIL	Low 350°F (175°C) Med 450°F (230°C) High 550°F (290°C)		Best for broiling meats, fish and poultry pieces up to 1" thick. Utilize two-piece broiler pan and always broil with oven door closed.
Bake Stone	BAKE STONE	400°F (205°C)	170–550°F (75–290°C)	• Baking on a ceramic stone. Great for pizza and bread. Bake stone accessory required. Additional instructions included with accessory.
Proof	BAKE	85°F (30°C)	85–110°F (30–45°C)	• Ideal for proofing, or rising bread dough.
Dehydration	CONVECTION	135°F (60°C)	110–160°F (45–70°C)	Dry a variety of fruits, vegetables and meats. Accessory racks and door stop required. Additional instructions included with accessory.
Self-Clean	SELF CLEAN			Oven heats to an extremely high temperature to allow food soil to burn off. Refer to page 12.

## Proof

### Setting controls:

- 1 Touch and hold BAKE for 3 seconds.
- 2 Oven temperature is preset to 85°F (30°C). Touch ENTER to select preset temperature or use number pads to change temperature up to 110°F (45°C), then touch ENTER.

## Dehydration

Accessory kit required. Accessories are available through an authorized Wolf dealer. For local dealer information, visit the find a showroom section of our website, wolfappliance.com.

### Setting controls:

- 1 Place door stop supplied with accessory kit, onto oven door lock.
- 2 Touch and hold CONVECTION for 3 seconds.
- 3 Oven temperature is preset to 135°F (60°C). Touch ENTER to select preset temperature or use number pads to change temperature between 110°F (45°C) and 160°F (70°C), then touch ENTER.

## Temperature Probe

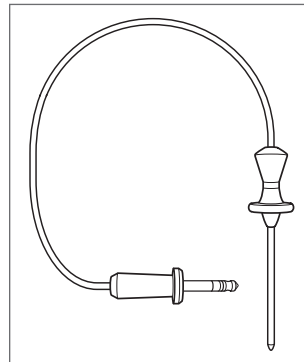
Use only the temperature probe shipped with this appliance. Refer to the illustration below. The temperature probe measures the internal temperature of food while cooking. It can be used with all cooking modes except broil and convection broil.

### Setting controls:

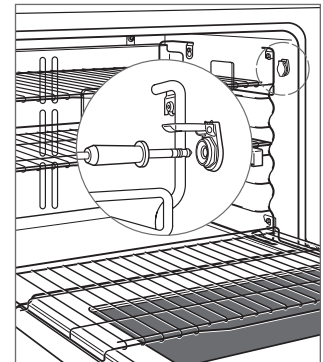
- 1 Touch desired cooking mode.
- 2 Touch ENTER to select preset temperature or use number pads to change temperature, then touch ENTER.
- 3 Insert probe into the thickest area of food. When making bread, cook for approximately 10 minutes before inserting probe.
- 4 When preheat is complete, use a pot holder to lift probe receptacle cover, then insert connector. Refer to the illustration below.
- 5 Touch PROBE. Use number pads to select temperature, then touch ENTER. Display alternates between oven temperature and actual probe temperature.
- 6 An audible chime indicates internal temperature has reached probe set point. Remove, then reinsert probe to verify internal temperature.

### ⚠ CAUTION

Probe and probe receptacle will be very hot. Handle with care.



Temperature probe



Probe receptacle

### Auto Program

#### TIMED COOK

Timed cook automatically turns the oven off at a specified time. The oven will begin to heat immediately and will turn off at the desired stop time. The clock must be set to the correct time for timed cook to function properly. Use in any cooking mode except broil, convection broil and bake stone.

##### Setting controls:

- 1 Touch desired cooking mode.
- 2 Touch ENTER to select preset temperature or use number pads to change temperature.
- 3 Touch COOK TIME. Use number pads to set cook time in hours and minutes.
- 4 Touch ENTER.

#### DELAYED START

Delayed start automatically turns the oven on and off at specified times. The oven will remain idle until the desired start time and will turn off at the desired stop time. The clock must be set to the correct time for delayed start to function properly. Use in any cooking mode except broil, convection broil and bake stone.

##### Setting controls:

- 1 Touch desired cooking mode.
- 2 Touch ENTER to select preset temperature or use number pads to change temperature. If ENTER is touched, oven will begin to heat immediately, but will enter idle mode once stop time is set.
- 3 Touch COOK TIME. Use number pads to set cook time in hours and minutes.
- 4 Touch STOP TIME. Use number pads to set stop time in hours and minutes.
- 5 Touch ENTER.

### Sabbath

This appliance is certified by Star-K to meet strict religious regulations in conjunction with specific instructions found on [www.star-k.org](http://www.star-k.org).

##### Setting controls:

- 1 Touch LIGHT ON/OFF, to turn oven light on.
- 2 Touch BAKE or ROAST. Oven is preset at 350°F (175°C).
- 3 Touch ENTER to select preset temperature or use number pads to change temperature, then touch ENTER.
- 4 Touch and hold ENTER for 5 seconds. 'SABBATH' will appear on the control panel display indicating Sabbath mode has been initiated.
- 5 To cancel, touch OVEN OFF.

### Self-Clean

During self-clean, the oven is heated to an extremely high temperature to burn off food soil. Oven lights are disabled. The oven door will lock and remain locked until self-clean is complete and oven temperature has cooled below 300°F (150°C).

##### Setting controls:

- 1 Remove all oven racks and rack guides. They will discolor if left in during self-clean.
- 2 Touch SELF CLEAN. "REMOVE ALL RACKS AND RACK GUIDES. PRESS ENTER." will appear on the control panel display.
- 3 Touch ENTER twice.

#### ⚠ CAUTION

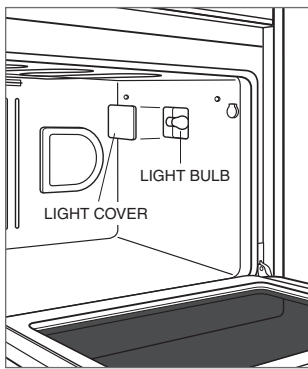
During self-clean, exterior surfaces may get hotter than usual. Children should be kept away.

## Oven Light

**⚠ WARNING**

Verify power is disconnected from the electrical box before replacing a light bulb.

To remove the light cover, gently pry the bottom edge with a flat screwdriver. Remove the existing bulb and replace with a 20-watt halogen bulb. Refer to the illustration below.



Light bulb replacement

## Care Recommendations

### CLEANING

- 
- |                        |  |
|------------------------|--|
| <b>Stainless steel</b> | Use a nonabrasive stainless steel cleaner and apply with a soft lint-free cloth. To bring out the natural luster, lightly wipe surface with a water-dampened microfiber cloth followed by a dry polishing chamois. Always follow the grain of stainless steel. |
|------------------------|--|
- 
- |                         |  |
|-------------------------|--|
| <b>Oven rack guides</b> | Remove and place on a flat surface near the sink. Clean with hot water and mild detergent or paste of baking soda and water. Do not immerse in water. Towel dry. |
|-------------------------|--|
- 
- |                      |  |
|----------------------|--|
| <b>Control panel</b> | Use a spray degreaser to remove fingerprints and food soil. Spray on a cloth before wiping panel.<br><b>IMPORTANT NOTE:</b> Do not spray cleaners directly on control panel. |
|----------------------|--|
- 
- |                      |   |
|----------------------|---|
| <b>Oven interior</b> | Before utilizing the self-clean feature, use a razor blade to gently lift baked on foods from the oven cavity and window. For stubborn stains, spray with a mild abrasive cleaner or spray degreaser and scrub with a no-scratch Scotch-Brite™ pad. Wash the entire oven cavity with soap and water to remove all cleaning chemicals before entering self-clean mode. If residue is not cleaned from the cavity, etching of the porcelain may occur. Once the self-clean cycle is complete, allow the oven to cool completely and wipe out ash with a damp cloth. |
|----------------------|---|
- 
- |                    |  |
|--------------------|--|
| <b>Broiler pan</b> | To clean the upper rack, use mild detergent and a scouring pad. Rinse and dry. To clean the bottom pan, discard grease and wash with hot water and mild detergent. Rinse and dry. The stainless steel upper rack is dishwasher safe, however, do not place the porcelain-coated rack or pan in dishwasher. |
|--------------------|--|
-

### Troubleshooting

#### OPERATION

##### Oven does not operate.

- Verify power is on.
- Verify electrical power to oven and home circuit breaker is on.
- Oven will automatically turn off after 12 hours of continual use, except in dehydration or Sabbath mode.

##### Oven temperature issue.

- Contact Wolf customer care at 800-222-7820 for recommendations.

##### No response from control panel touch pads.

- Touch OVEN OFF to exit Sabbath mode.
- Turn circuit breaker off for 5 seconds, then turn back on.

##### 'SABBATH' displayed on the control panel.

- Touch OVEN OFF to exit Sabbath mode.

##### 'PROBE SHORTED' displayed on the control panel.

- Touch OVEN OFF. Verify probe connector is fully seated into the receptacle. Reset oven temperature and probe temperature.

##### Oven 'pops' or 'bangs' during preheat or cool down.

- Normal with new oven cavity expansion and contraction.
- Run self-clean cycle. If it persists, contact Wolf customer care at 800-222-7820.

#### SERVICE

- Maintain the quality built into your product by contacting Wolf Factory Certified Service. For the name of the nearest Wolf Factory Certified Service, check the contact & support section of our website, [wolfappliance.com](http://wolfappliance.com) or call Wolf customer care at 800-222-7820.
- When contacting service, you will need the model and serial number of your product. Both numbers are listed on the product rating plate. Refer to page 6 for rating plate location.
- For warranty purposes, you will also need the date of installation and name of your authorized Wolf dealer. This information should be recorded on page 3 of this guide.

## Wolf Appliance Residential Limited Warranty

FOR RESIDENTIAL USE

### FULL TWO YEAR WARRANTY\*

For two years from the date of original installation, this Wolf Appliance product warranty covers all parts and labor to repair or replace, under normal residential use, any part of the product that proves to be defective in materials or workmanship. All service provided by Wolf Appliance under the above warranty must be performed by Wolf factory certified service, unless otherwise specified by Wolf Appliance, Inc. Service will be provided during normal business hours.

### LIMITED FIVE YEAR WARRANTY

For five years from the date of original installation, Wolf Appliance will repair or replace the following parts that prove to be defective in materials or workmanship: gas burners (excludes appearance), electric heating elements, blower motors (ventilation hoods), electronic control boards, magnetron tubes and induction generators. If the owner uses Wolf factory certified service, the service provider will repair or replace these parts with the owner paying for all other costs, including labor. If the owner uses non-certified service, the owner must contact Wolf Appliance, Inc. (using the information below) to receive repaired or replacement parts. Wolf Appliance will not reimburse the owner for parts purchased from non-certified service or other sources.

### TERMS APPLICABLE TO EACH WARRANTY

The warranty applies only to products installed for normal residential use. The warranty applies only to products installed in any one of the fifty states of the United States, the District of Columbia or the ten provinces of Canada. This warranty does not cover any parts or labor to correct any defect caused by negligence, accident or improper use, maintenance, installation, service or repair.

THE REMEDIES DESCRIBED ABOVE FOR EACH WARRANTY ARE THE ONLY ONES THAT WOLF APPLIANCE, INC. WILL PROVIDE, EITHER UNDER THIS WARRANTY OR UNDER ANY WARRANTY ARISING BY OPERATION OF LAW. WOLF APPLIANCE, INC. WILL NOT BE RESPONSIBLE FOR ANY CONSEQUENTIAL OR INCIDENTAL DAMAGES ARISING FROM THE BREACH OF THIS WARRANTY OR ANY OTHER WARRANTY, WHETHER EXPRESS, IMPLIED OR STATUTORY.

Some states do not allow the exclusion or limitation of incidental or consequential damages, so the above limitation or exclusion may not apply to you. This warranty gives you specific legal rights and you may also have other legal rights that vary from state to state.

To receive parts and/or service and the name of Wolf factory certified service nearest you, contact Wolf Appliance, Inc., P.O. Box 44848, Madison, WI 53744; check the contact & support section of our website, [wolfappliance.com](http://wolfappliance.com), email us at [customerservice@subzero.com](mailto:customerservice@subzero.com) or call 800-222-7820.

\*Stainless steel (doors, panels, handles, product frames and interior surfaces) are covered by a limited 60-day parts and labor warranty for cosmetic defects.

\*Replacement filters for ventilation hood recirculating kits are not covered by the product warranty.



## Contenido

- 4 Precauciones de seguridad
- 6 Características del Horno Serie L
- 7 Funcionamiento del horno
- 13 Recomendaciones sobre el cuidado
- 14 Solución de problemas
- 15 Garantía de Wolf



## Atención al cliente

El modelo y número de serie están impresos en la tarjeta de registro del producto adjunta. Los dos números también aparecen en la placa de datos del producto. Consulte la página 6 para encontrar la placa de datos. Para fines de la garantía, usted también necesitará la fecha de instalación y el nombre de su distribuidor autorizado de Wolf. Anote esta información abajo para referencia futura.

### INFORMACIÓN PARA SERVICIO

---

Número de modelo

---

Número de serie

---

Fecha de instalación

---

Nombre de servicio certificado

---

Número de servicio certificado

---

Distribuidor autorizado

---

Número de distribuidor

---

Si su producto alguna vez necesita servicio asegúrese de usar un proveedor de servicios certificado por Wolf y recomendado por nuestro centro de atención al cliente o seleccione uno de nuestra lista de proveedores en [wolfappliance.com/locator](http://wolfappliance.com/locator). Todos los proveedores de los centros de servicio autorizados han sido cuidadosamente seleccionados y entrenados a fondo por nosotros.

## Aviso importante

Para garantizar que este producto se instale y opere de la forma más segura y eficiente posible, tome nota de los siguientes tipos de información resaltada en este manual:

**AVISO IMPORTANTE** señala la información que es especialmente importante.

**PRECAUCIÓN** indica una situación en la que se pueden sufrir heridas leves o provocar daños al producto si no se siguen las instrucciones.

**ADVERTENCIA** indica peligro de que se produzcan heridas graves o incluso la muerte si no se siguen las precauciones.

**AVISO IMPORTANTE:** en toda esta guía, las dimensiones entre paréntesis son milímetros, a menos que se especifique lo contrario.

## INSTRUCCIONES IMPORTANTES

### PRECAUCIONES GENERALES DE SEGURIDAD

- Lea este manual con atención antes de usar este electrodoméstico para reducir el riesgo de incendio, descarga eléctrica o lesiones.
- Un técnico calificado o una agencia de servicio deben instalar o reparar este electrodoméstico y un técnico calificado lo debe conectar a tierra.
- Limpie solamente las partes enumeradas en este manual.
- No utilice limpiadores para hornos. No debe utilizar limpiadores comerciales para hornos ni capas protectoras de ninguna clase en o alrededor de cualquier parte del horno.
- No toque los elementos calefactores ni las superficies internas del horno. Los elementos calefactores pueden permanecer calientes incluso cuando tienen un color oscuro. Las superficies internas alcanzan altas temperaturas y pueden causar quemaduras. Durante y después del uso, no toque, ni deje que su ropa u otros materiales ignífugos entren en contacto con los elementos calefactores o superficies internas del horno hasta que hayan tenido suficiente tiempo para enfriarse.
- Utilice siempre guantes de cocina secos al retirar las cacerolas de este electrodoméstico. Los guantes de cocina húmedos o mojados pueden provocar quemaduras por vapor. No utilice una toalla ni un paño grueso en lugar de los guantes de cocina.
- Tenga cuidado al abrir la puerta del horno. Deje salir el aire caliente o el vapor antes de mirar o meter las manos dentro del horno.
- Asegúrese de que la entrada de aire fresco del horno (que se encuentra arriba de la puerta) y la rejilla de ventilación del horno (que se encuentra abajo de la puerta) estén libres de obstáculos en todo momento.
- Coloque las rejillas del horno a la altura deseada cuando el horno esté frío. Si debe cambiar una rejilla de posición cuando el horno esté caliente, asegúrese de que el guante de cocina no entre en contacto con un elemento calefactor caliente al interior del horno.

#### **▲ PRECAUCIÓN**

Antes de utilizar la autolimpieza, retire la parrilla, las rejillas del horno, las guías de las rejillas y cualquier otro utensilio.

## INSTRUCCIONES IMPORTANTES

### PRECAUCIONES GENERALES DE SEGURIDAD

- No intente reparar ni cambiar parte alguna de este electrodoméstico a menos que esté específicamente recomendado en la documentación que acompaña a este electrodoméstico.
- No utilice papel de aluminio para forrar ninguna parte de este electrodoméstico.
- Nunca utilice este electrodoméstico para entibiar o calentar la habitación.
- No deje a los niños solos o sin supervisión en el área donde se usa este electrodoméstico. Nunca permita que los niños se sienten o paren encima del electrodoméstico.
- No use agua en incendios causados por grasas. Sofoque el fuego o utilice un extinguidor químico seco o de espuma.
- No caliente recipientes de comida cerrados, como frascos de alimentos para bebés o enlatados. La acumulación de presión puede hacer que el recipiente explote y cause lesiones.
- No almacene ni use gasolina u otros vapores o líquidos ignífugos en las proximidades de este o cualquier otro electrodoméstico.
- No almacene artículos que puedan llamar la atención de niños arriba o detrás de este electrodoméstico, ya que podrían subirse al electrodoméstico para alcanzar los objetos y sufrir lesiones.
- No limpie el empaque del horno, ya que frotar o mover el empaque puede comprometer el sello de la puerta.
- Utilice ropa adecuada. Nunca debe utilizar ropa holgada ni con aplicaciones sueltas al utilizar este electrodoméstico.

### ⚠ ADVERTENCIA

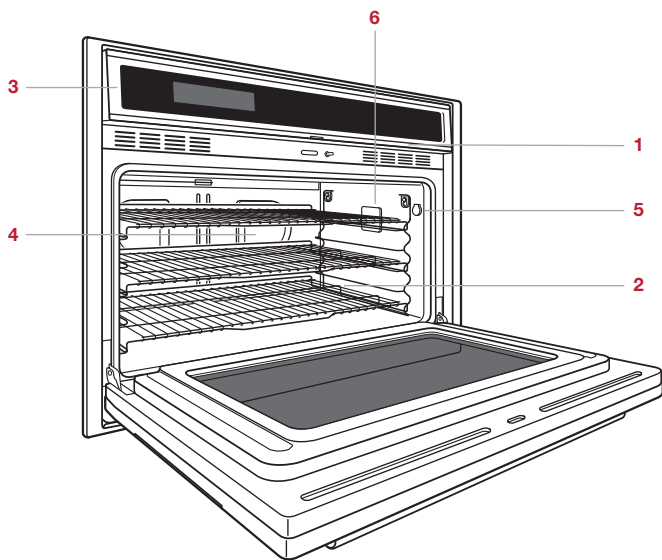
PROPUESTA 65 PARA RESIDENTES DE CALIFORNIA

Cáncer y Daño Reproductivo—  
[www.P65Warnings.ca.gov](http://www.P65Warnings.ca.gov)

## Características del horno Serie L

### CARACTERÍSTICAS

1	Placa de datos del producto
2	Rejillas ajustables del horno
3	Pantalla y panel de control rotatorio.
4	Ventiladores de convección doble
5	Recipiente de la sonda de temperatura
6	Luz de halógeno



Horno individual de 36" de la Serie L

## Primeros pasos

Sabemos que está ansioso por empezar a cocinar, pero antes de hacerlo, dedique un poco de tiempo a leer este manual de uso y cuidado. Sea usted un cocinero ocasional o un chef experto, le será beneficioso familiarizarse con las prácticas de seguridad, características y recomendaciones de operación y cuidado de su horno Serie L de Wolf.

- Limpie cuidadosamente el horno con agua caliente y detergente suave. Enjuague y seque con un paño suave para eliminar los residuos de aceite y grasa residual que dejó el proceso de fabricación. Consulte las recomendaciones sobre el cuidado en la página 13.
- Para obtener los mejores resultados revise los modos de cocción y características especiales en la página 10.

### ⚠ PRECAUCIÓN

No coloque utensilios de cocina sobre el piso del horno ni utilice papel de aluminio u otro material para recubrir el piso o las paredes laterales del horno. Si hace caso omiso de este aviso se dañará el interior de porcelana y se anulará la garantía.

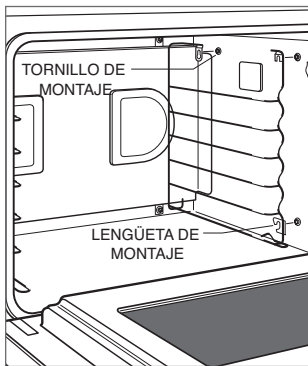
## Rejillas del horno

### GUÍAS DE LAS REJILLAS DEL HORNO

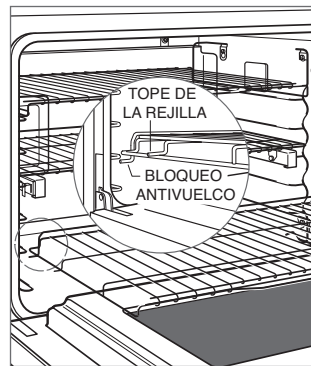
Para insertar las guías de las rejillas del horno busque los tornillos de montaje en las paredes laterales del horno. Coloque las lengüetas de montaje de la guía de las rejillas sobre los tornillos y deslícelas hasta que queden completamente asentadas. Consulte la siguiente ilustración.

### REJILLAS DEL HORNO

Para insertar una rejilla estándar en el horno, coloque el bloqueo antivuelco de la rejilla debajo de los rieles laterales de la guía de la rejilla. Deslice la rejilla hasta atrás y levántela para limpiar los topes de la rejilla. Continúe deslizando la rejilla hasta que esté completamente dentro del horno. Consulte la siguiente ilustración.



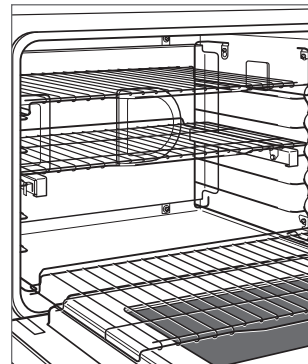
Guías de las rejillas del horno



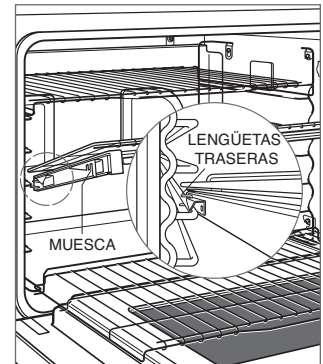
Bloqueo antivuelco para las rejillas del horno

La rejilla inferior del horno tiene una capacidad de extensión completa que se apoya en la puerta del horno. Con la rejilla en la posición más baja, deslícela hasta las guías de la puerta para mayor estabilidad y accesibilidad. Consulte la siguiente ilustración.

Para insertar una rejilla de extensión completa y de fácil deslizamiento, coloque las dos lengüetas posteriores sobre la guía de la rejilla (una lengüeta arriba y una abajo). Consulte la siguiente ilustración. Inclínele ligeramente la rejilla y deslícela hasta que la muesca frontal de la rejilla se acople con la guía frontal de la rejilla.



Rejilla inferior



Rejilla de máxima extensión

## Funcionamiento del horno

### PANEL DE CONTROL

Para abrir o cerrar el panel de control rotatorio, presione el interruptor debajo del panel de control. Cuando el panel de control electrónico está visible, el horno está operativo.

El panel de control electrónico cuenta con paneles táctiles para los modos de cocción y otras funciones. Consulte la siguiente ilustración.

- 1 Presione OVEN ON (ENCENDIDO).
- 2 Presione el modo de cocción deseado en el panel de control.
- 3 Presione ENTER (INTRO) para seleccionar la temperatura predeterminada o utilice las teclas de número para cambiar la temperatura.
- 4 Presione ENTER (INTRO).

### BLOQUEO DEL PANEL DE CONTROL

La función de bloqueo de control impide el funcionamiento no deseado del horno. Toque y mantenga presionado PANEL LOCK (BLOQUEO DEL PANEL) durante 3 segundos para bloquear o desbloquear el panel de control.

### LUZ DEL HORNO

La luz del horno se encenderá automáticamente cuando la puerta esté abierta y se apagará cuando esté cerrada. Para encender la luz mientras la puerta está cerrada, presione LIGHT ON/OFF (LUZ ENCENDIDA/APAGADA) en el panel de control.

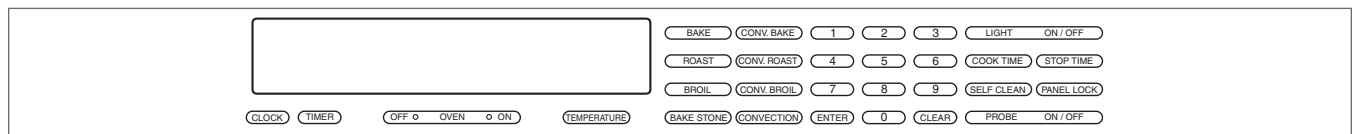
### ANTES DE USARLO

Para asegurarse de que todo el aceite residual del proceso de fabricación se haya eliminado, cada horno tiene que pasar por el siguiente procedimiento.

- 1 Limpie cuidadosamente el horno con agua caliente y un detergente suave. Enjuague y seque con un paño suave.
- 2 Encienda la ventilación. La presencia de un poco de humo y olor es normal.
- 3 Presione CONVECTION ROAST (ASAR POR CONVECCIÓN) y fije la temperatura a 550°F (260°C) durante una hora.
- 4 Presione OFF (APAGAR) y deje que el horno enfríe con la puerta cerrada.

### PRECALENTAMIENTO

Durante el precalentamiento, el horno se calienta lo más rápido y uniforme posible y no es ideal para cocinar. El precalentamiento debe ser utilizado para todos los modos de cocción excepto el de asado y asado por convección. Una vez que se haya completado el precalentamiento, un aviso sonoro indica que el horno alcanzó la temperatura programada.



Panel de control

### Funcionamiento del horno

#### RELOJ

El reloj se visualiza en el panel de control durante todos los modos de cocción, excepto cuando el temporizador está en uso. Es muy importante fijar el reloj en la hora correcta si se utiliza la función de cocción cronometrada. El reloj debe ser reiniciado después de un apagón eléctrico.

##### Para configurar el reloj:

- 1 Presione CLOCK (RELOJ) en el panel de control.
- 2 Presione las teclas numéricas para ajustar la hora del día.
- 3 Presione ENTER (INTRO). Una señal sonora indica que la hora ha quedado configurada.
- 4 Para cambiar el reloj de 12 a 24 horas, una vez que el reloj está programado, presione TEMPERATURE (TEMPERATURA) durante 3 segundos, presione CLOCK (RELOJ), luego presione ENTER (INTRO).

#### TEMPORIZADOR

El temporizador se puede ajustar para un máximo de 9 horas y 59 minutos. Una vez que se ajusta el tiempo, la cuenta regresiva se ilumina en la pantalla del panel de control. El último minuto se cuenta en segundos. Al terminar, el horno sonará y el tiempo parpadeará. El temporizador seguirá sonando cada 10 segundos hasta que se presione CLEAR (BORRAR). El temporizador es independiente del horno. Ajustar el temporizador no afecta el tiempo de cocción ni el tiempo de parada. Para obtener información acerca de las características del programa automático, consulte la página 12.

##### Configurar el temporizador:

- 1 Presione TIMER (TEMPORIZADOR) en el panel de control.
- 2 Presione las teclas numéricas para ajustar el tiempo en horas y minutos.
- 3 Presione ENTER (INTRO). Una señal sonora indica que el temporizador ha quedado configurado.

#### ESCALA DE TEMPERATURA

El horno puede mostrar la temperatura en Fahrenheit (°F) o Celsius (°C).

##### Ajustando la escala de temperatura:

- 1 Mientras el horno está apagado, presione y sostenga TEMPERATURE (TEMPERATURA) en el panel de control durante 5 segundos.
- 2 Presione COOK TIME (TIEMPO DE COCCIÓN) para seleccionar °F o °C.
- 3 Presione ENTER (INTRO).

**Modos de cocción**

<b>MODO</b>	<b>PANEL TÁCTIL PRECONFIGURADO</b>	<b>RANGO</b>	<b>SONDA USOS</b>	
Convección	CONVECCIÓN	325°F (165°C)	170 – 550°F (75 – 290°C)	• El movimiento uniforme del aire hace posible la cocción en varios niveles de rejillas con un dorado uniforme.
Hornear por convección	CONV BAKE (HORNEAR POR CONVECCIÓN)	375°F (190°C)	170 – 550°F (75 – 290°C)	• Ideal para hornear tartas.
Asar por convección	CONV ROAST (ASAR POR CONVECCIÓN)	325°F (165°C)	170 – 550°F (75 – 290°C)	• Perfecto para asar cortes tiernos de res, cordero, puerco y aves.
Asado por convección	CONV BROIL (ASADO POR CONVECCIÓN)	Bajo 350°F (175°C) Medio 450°F (230°C) Alto 550°F (290°C)		• Acorta el tiempo de asado para cortes más gruesos de carne, pescado y aves. Utilice la parrilla de dos partes y siempre realice el asado con la puerta del horno cerrada.
Hornear	BAKE (HORNEAR)	350°F (175°C)	170 – 550°F (75 – 290°C)	• Lo mejor para cocinar en rejilla sencilla, principalmente alimentos horneados. Utilice para recetas estándar.
Asar	ROAST (ASAR)	350°F (175°C)	170 – 550°F (75 – 290°C)	• El mejor para asar cortes menos tiernos de carne, como asados en trozo y carne para estofado que debe ir cubierta.
Asado	BROIL (ASADO)	Bajo 350°F (175°C) Medio 450°F (230°C) Alto 550°F (290°C)		• Lo mejor para asar piezas de carne, pescado y aves hasta de 1" de grosor. Utilice la parrilla de dos partes y siempre realice el asado con la puerta del horno cerrada.
Piedra para hornear	BAKE STONE (PIEDRA PARA HORNEAR)	400°F (205°C)	170 – 550°F (75 – 290°C)	• Hornear sobre una piedra cerámica. Excelente para pizza y pan. Se requiere un accesorio de piedra para hornear. Instrucciones adicionales incluidas con el accesorio.
Fermentación	BAKE (HORNEAR)	85°F (30°C)	85 – 110°F (30 – 45°C)	• Ideal para fermentar o levar la masa de pan.
Deshidratación	CONVECCIÓN	135°F (60°C)	110 – 160°F (45 – 70°C)	• Seca una variedad de frutas, vegetales y carnes. Se requieren accesorios para rejillas y tope de puerta. Instrucciones adicionales incluidas con el accesorio.
Autolimpieza	SELF-CLEAN (AUTOLIMPIEZA)			• El horno alcanza una temperatura extremadamente alta para permitir que los residuos de alimentos se quemen. Consulte la página 12.



## Fermentación

### Ajustar controles:

- 1 Presione y mantenga **BAKE (HORNEAR)** durante 3 segundos.
- 2 La temperatura del horno está preestablecida a 85°F (30°C). Presione **ENTER (INTRO)** para seleccionar la temperatura preestablecida o use las teclas numéricas para cambiar la temperatura a 110°F (45°C), luego presionar **ENTER (INTRO)**.

## Deshidratación

Se requiere un kit de accesorios. Los accesorios están disponibles a través de un distribuidor autorizado de Wolf. Para obtener más información acerca de los distribuidores locales, visite la sección para encontrar una sala de exposición de nuestro sitio web, [wolfappliance.com](http://wolfappliance.com).

### Ajustar controles:

- 1 Coloque el tope de puerta suministrado con su kit de accesorios en la cerradura de la puerta del horno.
- 2 Presione y mantenga **CONVECTION (HORNEAR)** durante 3 segundos.
- 3 La temperatura del horno está preestablecida a 135 °F (60 °C). Presione **ENTER (INTRO)** para seleccionar la temperatura preestablecida o use las teclas numéricas para cambiar la temperatura entre 110°F (45°C) y 160°F (70°C), luego presionar **ENTER (INTRO)**.

## Sonda de temperatura

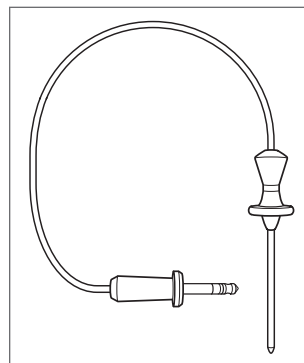
Utilice solamente la sonda de temperatura que viene con este electrodoméstico. Consulte la siguiente ilustración. La sonda de temperatura mide la temperatura interna de los alimentos durante la cocción. Se puede utilizar con todos los modos de cocción excepto el de asado y asado por convección.

### Ajustar controles:

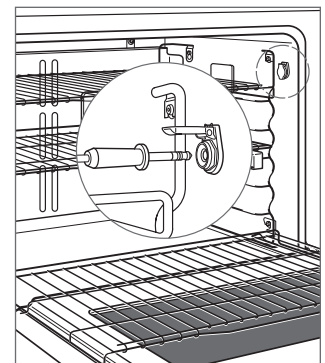
- 1 Presione el modo de cocción deseado.
- 2 Presione **ENTER (INTRO)** para seleccionar la temperatura predeterminada o utilice las teclas de número para cambiar la temperatura y, a continuación, presione **ENTER**.
- 3 Inserte la sonda en la parte más gruesa de los alimentos. Al hacer pan, cocine aproximadamente 10 minutos antes de insertar la sonda.
- 4 Cuando el precalentamiento esté completo, use una agarradera para levantar la cobertura del receptáculo de la sonda, luego inserte el conector. Consulte la siguiente ilustración.
- 5 Pulse **PROBE (SONDA)**. Utilice las teclas numéricas para seleccionar la temperatura, luego presione **ENTER**. La pantalla alterna entre la temperatura del horno y la temperatura real de la sonda.
- 6 Una señal sonora indica que la temperatura interna ha alcanzado el punto establecido de la sonda. Retire y luego vuelva a insertar la sonda para comprobar la temperatura interna.

### ⚠ PRECAUCIÓN

La sonda y el receptáculo estarán muy calientes. Manipule con cuidado.



Sonda de temperatura



Receptáculo de la sonda

### Programa automático

#### COCCIÓN CRONOMETRADA

La cocción cronometrada apaga automáticamente el horno a una hora específica. El horno empezará a calentarse inmediatamente y se apagará a la hora que usted desee que se apague. El reloj debe estar configurado en la hora correcta para que la cocción temporizada funcione correctamente. Utilice cualquier modo de cocción excepto el de asado, asado por convección y piedra para hornear.

##### Ajustar controles:

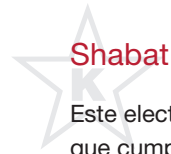
- 1 Presione el modo de cocción deseado.
- 2 Presione ENTER (INTRO) para seleccionar la temperatura predeterminada o utilice las teclas de número para cambiar la temperatura.
- 3 Presione COOK TIME (TIEMPO DE COCCIÓN). Utilice las teclas numéricas para ajustar el tiempo de la cocción cronometrada en horas y minutos.
- 4 Presione ENTER (INTRO).

#### INICIO RETARDADO

El inicio retardado enciende y apaga el horno automáticamente a una hora específica. El horno permanecerá inactivo hasta la hora de inicio deseada y se apagará a la hora que usted desee que se apague. El reloj debe estar configurado con la hora correcta para que el inicio retardado funcione correctamente. Utilice cualquier modo de cocción excepto el de asado, asado por convección y piedra para hornear.

##### Ajustar controles:

- 1 Presione el modo de cocción deseado.
- 2 Presione ENTER (INTRO) para seleccionar la temperatura predeterminada o utilice las teclas de número para cambiar la temperatura. Si ENTER (INTRO) es pulsado, el horno comenzará a calentarse inmediatamente pero entrará en modo inactivo una vez se termine el tiempo de apagado.
- 3 Presione COOK TIME (TIEMPO DE COCCIÓN). Utilice las teclas numéricas para ajustar el tiempo de la cocción cronometrada en horas y minutos.
- 4 Presione STOP TIME (TIEMPO DE APAGADO). Utilice las teclas numéricas para ajustar el tiempo de apagado en horas y minutos.
- 5 Presione ENTER (INTRO).



### Shabat

Este electrodoméstico lleva el certificado Star-K que indica que cumple con estrictas normas religiosas junto con instrucciones específicas que aparecen en [www.star-k.org](http://www.star-k.org).

##### Ajustar controles:

- 1 Presionar LIGHT ON/OFF (LUZ ENCENDIDA/APAGADA) para encender la luz del horno.
- 2 Presione BAKE (HORNEAR) o ROAST (ASAR). La temperatura del horno está preestablecida en 350 °F (175 °C).
- 3 Presione ENTER (INTRO) para seleccionar la temperatura predeterminada o utilice las teclas de número para cambiar la temperatura y, a continuación, presione ENTER.
- 4 Presione y mantenga presionado ENTER (INTRO) durante 5 segundos. Se visualizará "SABBATH" en la pantalla del panel de control indicando que se ha iniciado el modo de Sabbath.
- 5 Para cancelar, presione OVEN OFF (APAGAR HORNO).

### Autolimpieza

Durante la autolimpieza, el horno alcanza una temperatura extremadamente alta para quemar los residuos de los alimentos. Se desactivan las luces del horno. La puerta del horno se cerrará y permanecerá así hasta que la autolimpieza termine y la temperatura del horno esté por debajo de 300°F (150°C).

##### Ajustar controles:

- 1 Retirar todas las rejillas del horno y las guías de rejilla. Estas perderán su color si las deja dentro del horno durante la autolimpieza.
- 2 Presione SELF CLEAN (AUTOLIMPIEZA). "RETIRAR TODAS LAS REJILLAS DEL HORNO Y LAS GUÍAS DE REJILLA. PRESIONE ENTER (INTRO)" aparecerá en la pantalla del panel de control.
- 3 Presione ENTER (INTRO) dos veces.

#### ⚠ PRECAUCIÓN

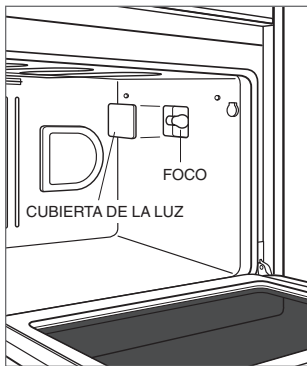
Durante la autolimpieza las superficies externas pueden alcanzar una temperatura más alta de lo normal. Debe mantener a los niños alejados.

## Luz del horno

### ⚠️ ADVERTENCIA

Compruebe que la energía esté desconectada de la caja eléctrica antes de reemplazar un foco.

Para retirar la cubierta de la luz, haga palanca suavemente en el borde inferior con un destornillador plano. Retire el foco existente y reemplácelo con un foco de halógeno de 20 vatios. Consulte la siguiente ilustración.



Reemplazo del foco

## Recomendaciones sobre el cuidado

### LIMPIEZA

<b>Acero inoxidable</b>	Utilice un limpiador no abrasivo para acero inoxidable y aplique con un paño suave sin pelusa. Para resaltar el lustre natural, limpie suavemente la superficie con una tela de microfibra humedecida con agua, seguida con una gamuza para pulir en seco. Siempre siga la dirección del acabado del acero inoxidable.
<b>Guías de las rejillas del horno</b>	Retire y coloque sobre una superficie plana cerca del fregadero. Limpie con agua caliente y un detergente suave; o bien, con pasta de bicarbonato de sodio y agua. No sumerja en agua. Seque con una toalla.
<b>Panel de control</b>	Utilice desengrasante en aerosol para retirar las marcas de los dedos y los residuos de alimentos. Rocíe el producto en un paño antes de limpiar el panel. <b>AVISO IMPORTANTE:</b> No aplique o rocíe los limpiadores directamente sobre el panel de control.
<b>Interior del horno</b>	Antes de utilizar la característica de autolimpieza, usar una hojilla para retirar con cuidado residuos de comida de las cavidades y ventanas del horno. Para eliminar manchas difíciles, aplique un limpiador ligeramente abrasivo o desengrasante en aerosol y frótelos con una esponja Scotch-Brite™ cero rayones. Lave todas las cavidades del horno con jabón y agua para remover todos los químicos de limpieza antes de iniciar el modo de autolimpieza. Si no se retiran los residuos de la cavidad, es posible que la porcelana se desgaste por corrosión. Una vez que el ciclo de autolimpieza esté completo, deje que el horno se enfríe completamente y limpie las cenizas con una toalla húmeda.
<b>Parrilla para asar</b>	Para limpiar la rejilla superior, utilice detergente suave y un estropajo. Enjuague y seque. Para limpiar la parrilla inferior, deseche la grasa y lave con agua caliente y detergente suave. Enjuague y seque. La rejilla superior de acero inoxidable puede lavarse en lavavajillas, sin embargo, no coloque la rejilla o la parrilla cubierta de porcelana en el lavavajillas.

### Solución de problemas

#### FUNCIONAMIENTO

##### El horno no funciona.

- Compruebe que esté encendida.
- Compruebe que la alimentación eléctrica a la unidad y el interruptor de circuito de la casa estén encendidos.
- El horno se apagará automáticamente después de 12 horas de uso continuo, excepto en los modos de deshidratación o Sabbath.

##### Problema con la temperatura del horno.

- Póngase en contacto con atención al cliente de Wolf al 800-222-7820 para recomendaciones.

##### El panel táctil del panel de control no responde.

- Presione OVEN OFF (APAGAR HORNO) para salir del modo de Sabbath.
- Apague el interruptor de circuito durante 5 segundos, después vuelva a encenderlo.

##### En el panel de control se visualiza "SABBATH".

- Presione OVEN OFF (APAGAR HORNO) para salir del modo de Sabbath.

##### En el panel de control se visualiza "PROBE SHORTED" (SONDA EN CORTO CIRCUITO)

- Presione OVEN OFF (APAGAR HORNO). Compruebe que el conector de la sonda está bien asentado en el recipiente. Restablezca la temperatura del horno y la temperatura de la sonda.

##### El horno hace "pop" o "bang" durante el precalentamiento o el enfriamiento.

- Eso es normal debido a la expansión y contracción de la nueva cavidad del horno.
- Ejecute un ciclo de autolimpieza. Si persisten, contacte a Atención al Cliente de Wolf en el 800-222-7820.

#### SERVICIO

- Para mantener la calidad incorporada en su producto, póngase en contacto con el servicio certificado de fábrica de Wolf. Para obtener los datos del centro de servicio certificado de fábrica de Wolf más cercano, eche un vistazo a la sección de contacto y servicio técnico en nuestro sitio web, wolfappliance.com; o bien, llame a la línea de atención al cliente de Wolf al 800-222-7820.
- Al comunicarse con el servicio, necesitará el modelo y número de serie de su producto. Los dos números también aparecen en la placa de datos del producto. Consulte la página 6 para encontrar la placa de datos.
- Para fines de la garantía, también necesitará la fecha de instalación y el nombre de su distribuidor autorizado de Wolf. Esta información debe estar registrada en la página 3 de este manual.

## Garantía limitada residencial de Wolf Appliance

### PARA USO RESIDENCIAL

#### GARANTÍA COMPLETA DE DOS AÑOS\*

Durante dos años a partir de la fecha de la instalación original, la garantía de su producto Wolf Appliance cubre todas las piezas y mano de obra para reparar o cambiar, bajo el uso residencial normal, cualquier pieza del producto que se compruebe estar defectuosa en material o mano de obra. Todos los servicios proporcionados por Wolf Appliance bajo la garantía anterior deben ser ejecutados por servicios certificados de fábrica de Wolf, a menos que Wolf Appliance, Inc. lo especifique de otra manera. El Servicio se hará durante el horario comercial normal.

#### GARANTÍA LIMITADA DE CINCO AÑOS

Durante cinco años a partir de la fecha de la instalación original, Wolf Appliance reparará o cambiará los siguientes componentes que se comprueben estar defectuosos en material o mano de obra: quemadores de gas (excluyendo la apariencia), elementos eléctricos de calentamiento, motores de sopladores (campanas de ventilación), módulos de control eléctrico, tubos magnetrón y generadores de inducción. Si el propietario utiliza el servicio certificado de fábrica de Wolf, el prestador del servicio reparará o reemplazará estas partes mediante el pago de todos los otros costos, incluyendo mano de obra, a cargo del propietario. Si el propietario usa un servicio no certificado, debe ponerse en contacto con Wolf Appliance, Inc. (mediante la información anotada más adelante) para recibir los componentes reparados o de cambio. Wolf Appliance no reembolsará al propietario los importes correspondientes a componentes comprados a un servicio no certificado o a otras fuentes.

#### TÉRMINOS APLICABLES A CADA GARANTÍA

La garantía se aplica solamente a los productos instalados para uso residencial normal. La garantía se aplica solamente a los productos instalados en cualquiera de los cincuenta estados de los Estados Unidos, el Distrito de Columbia o las diez provincias de Canadá. Esta garantía no cubre las partes o mano de obra para corregir cualquier defecto causado por negligencia, accidente o uso, mantenimiento, instalación, servicio o reparación inadecuados.

LOS RECURSOS DESCRITOS ANTERIORMENTE PARA CADA GARANTÍA SON LOS ÚNICOS QUE WOLF APPLIANCE, INC. PROPORCIONARÁ, YA SEA BAJO ESTA GARANTÍA O BAJO CUALQUIER GARANTÍA QUE RESULTE DE LA APLICACIÓN DE LA LEY. WOLF APPLIANCE, INC. NO SE HACE RESPONSABLE POR LOS DAÑOS INDIRECTOS O INCIDENTALES DERIVADOS DEL INCUMPLIMIENTO DE ESTA GARANTÍA O CUALQUIER OTRA GARANTÍA, YA SEA EXPRESA, IMPLÍCITA O LEGAL.

Algunos estados no permiten la exclusión o limitación de daños fortuitos o imprevistos, por lo que la limitación o exclusión anterior podría no aplicar a su caso. Esta garantía le otorga derechos legales específicos, y usted también puede tener otros derechos legales que varían entre estados.

Para recibir las partes o el servicio y el nombre del servicio certificado de fábrica de Wolf más cercano a usted, póngase en contacto con Wolf Appliance, Inc., P.O. Box 44848, Madison, WI 53744; eche un vistazo a la sección de contacto y servicio técnico en nuestro sitio web, [wolfappliance.com](http://wolfappliance.com), envíenos un correo electrónico a [customerservice@subzero.com](mailto:customerservice@subzero.com) o llame al 800-222-7820.

\*Las puertas, paneles, asas, marcos y superficies internas de acero inoxidable están cubiertas por una garantía limitada de 60 días para repuestos y mano de obra, por defectos cosméticos.

\*Los filtros de repuesto para los kits de circulación de la campana de ventilación no están cubiertos por la garantía del producto.



## Table des matières

- 4 Précautions de sécurité
- 6 Caractéristiques du four de la série L
- 7 Fonctionnement du four
- 13 Conseils d'entretien
- 14 Dépannage
- 15 Garantie Wolf

## Service à la clientèle

Le numéro de modèle et le numéro de série sont imprimés sur la fiche d'enregistrement du produit ci-jointe. Les deux numéros sont aussi indiqués sur la plaque signalétique du produit. Reportez-vous à la page 6 pour connaître l'emplacement de la plaque signalétique. Pour les besoins de la garantie, vous devrez aussi avoir la date d'installation et le nom de votre dépositaire Wolf autorisé. Inscrivez ces renseignements ci-dessous pour consultation ultérieure.

### RENSEIGNEMENTS SUR LE SERVICE

Numéro de modèle

Numéro de série

Date de l'installation

Nom du service certifié

Numéro du service certifié

Dépositaire autorisé

Numéro du dépositaire

Si votre produit a besoin d'être réparé, assurez-vous d'utiliser un fournisseur de service certifié par l'usine Wolf recommandé par notre centre de service à la clientèle, ou sélectionnez-en un parmi la liste de fournisseurs disponibles à [wolfappliance.com/locator](http://wolfappliance.com/locator). Tous les fournisseurs de service certifiés par l'usine sont soigneusement sélectionnés et rigoureusement formés par nous.

## Remarque importante

Pour s'assurer que ce produit est installé et utilisé en toute sécurité et aussi efficacement que possible, prenez note des types de renseignement mis en évidence tout au long de ce guide :

**REMARQUE IMPORTANTE** met en évidence des renseignements qui sont particulièrement importants.

**MISE EN GARDE** indique une situation où une blessure mineure ou des dommages au produit peuvent se produire si les directives ne sont pas respectées.

**AVERTISSEMENT** décrit un danger qui peut causer une blessure grave ou la mort si les précautions ne sont pas respectées.

**REMARQUE IMPORTANTE** : tout au long de ce guide, les dimensions entre parenthèses sont en millimètres à moins d'indication contraire.

# DIRECTIVES IMPORTANTES

## PRÉCAUTIONS DE SÉCURITÉ GÉNÉRALE

- Lisez ce guide attentivement avant d'utiliser cet appareil afin de réduire le risque d'incendie, de choc électrique ou de blessures.
- Cet appareil doit être correctement installé et réparé par un installateur qualifié ou une agence de service et mis à la terre par un technicien qualifié.
- Nettoyez seulement les pièces indiquées dans ce guide.
- N'utilisez pas de nettoyants pour le four. Aucun nettoyant pour le four commercial ni aucun revêtement protecteur de toute sorte ne doivent être utilisés dans ou autour des pièces du four.
- Ne touchez pas aux éléments de chauffage ou aux surfaces intérieures du four. Les éléments de chauffage peuvent être chauds même s'ils sont de couleur foncée. Les surfaces intérieures deviennent assez chaudes pour causer des brûlures. Pendant et après l'utilisation, ne touchez pas et ne laissez pas les vêtements ou d'autres matériaux inflammables entrer en contact avec les éléments de chauffage ou les surfaces intérieures du four avant qu'ils n'aient eu suffisamment de temps pour se refroidir.
- Utilisez toujours des poignées sèches pour retirer des plaques de cet appareil. Des poignées mouillées ou humides peuvent causer des brûlures de vapeur. N'utilisez pas une serviette ou un chiffon épais au lieu de poignées.
- Faites attention lorsque vous ouvrez la porte du four. Laissez l'air chaud ou la vapeur s'échapper avant de regarder ou de mettre les bras dans le four.
- Assurez-vous que l'admission d'air frais du four (située au-dessus de la porte) et le conduit de sortie du four (situé sous la porte) soient dégagés en tout temps.
- Placez les grilles du four aux endroits désirés lorsque le four est froid. Si une grille doit être déplacée et que le four est déjà chaud, assurez-vous que les poignées n'entrent pas en contact avec l'élément chauffant chaud du four.

### ▲ MISE EN GARDE

Avant d'utiliser la fonction auto-nettoyage, retirez la lèchefrite, les grilles du four, les guides de grille et tout autre ustensile.



## DIRECTIVES IMPORTANTES

### PRÉCAUTIONS DE SÉCURITÉ GÉNÉRALE

- Ne réparez pas et ne remplacez pas toute pièce de cet appareil à moins que cela ne soit spécifiquement recommandé dans la documentation accompagnant l'appareil.
- N'utilisez pas du papier en aluminium pour couvrir toute partie de cet appareil.
- N'utilisez jamais cet appareil pour réchauffer ou chauffer la pièce.
- Ne laissez pas des enfants seuls ou sans surveillance dans la zone où cet appareil est utilisé. Ne laissez jamais des enfants s'asseoir ou se tenir debout sur l'appareil.
- N'utilisez pas de l'eau sur des incendies de graisse. Éteignez la flamme ou utilisez un extincteur à poudre chimique ou à mousse.
- Ne chauffez pas des contenants d'aliment non ouverts comme les pots et les boîtes de nourriture pour bébé. L'accumulation de pression peut faire éclater le contenant et causer des blessures.
- Ne rangez pas et n'utilisez pas de l'essence ou d'autres vapeurs ou liquides inflammables à proximité de cet appareil ou de tout autre appareil.
- Ne rangez pas des articles intéressants pour les enfants au-dessus ou à l'arrière de cet appareil puisqu'ils pourraient grimper sur l'appareil pour les atteindre et se blesser.
- Ne nettoyez pas le joint du four; le frottement ou le déplacement du joint peuvent compromettre l'étanchéité de la porte.
- Portez des vêtements appropriés. Des vêtements lâches ou pendants ne doivent jamais être portés pendant que vous utilisez cet appareil.

### ▲ AVERTISSEMENT

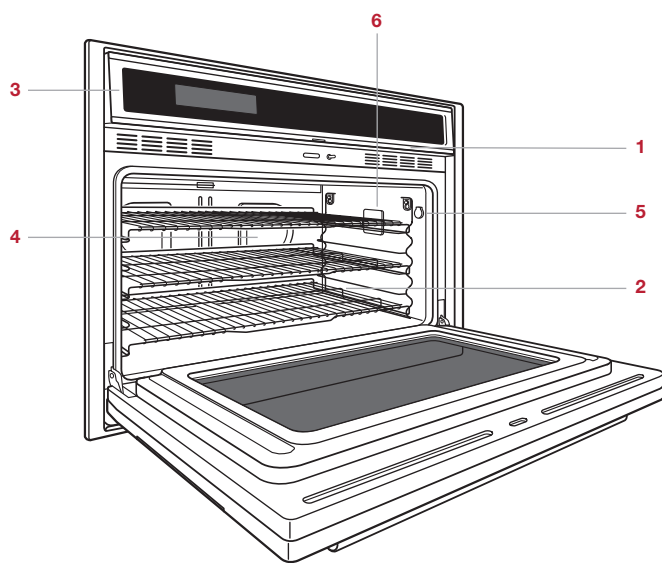
#### PROPOSITION 65 POUR RESIDENTS DE LA CALIFORNIE

Cancer et Troubles de l'appareil reproducteur—  
[www.P65Warnings.ca.gov](http://www.P65Warnings.ca.gov)

### Caractéristiques du four de la série L

#### CARACTÉRISTIQUES

1	Plaque signalétique du produit
2	Grilles de four réglables
3	Panneau de commande rotatif et affichage
4	Ventilateurs à convection doubles
5	Prise de la sonde de température
6	Éclairage halogène



Four simple de 36 po de la série L

### Comment commencer

Nous savons que vous êtes impatient de commencer à cuisiner, mais avant de le faire, veuillez prendre quelques instants pour lire ce guide d'utilisation et d'entretien. Que vous soyez un cuisinier occasionnel ou un chef expert, il vous sera bénéfique de vous familiariser avec les pratiques de sécurité, les fonctions, le fonctionnement et les recommandations d'entretien de votre four Wolf de la série L.

- Nettoyez le four à fond avec de l'eau chaude et un détergent doux. Rincez et séchez avec un chiffon doux pour éliminer tous les résidus d'huile et de graisse laissés par le processus de fabrication. Reportez-vous aux recommandations d'entretien à la page 13.
- Pour obtenir les meilleurs résultats, révissez les modes de cuisson et les caractéristiques spéciales à la page 10.

#### ⚠ MISE EN GARDE

Ne placez pas des casseroles dans le fond du four et n'utilisez pas du papier d'aluminium ou d'autres matériaux pour couvrir le fond ou les parois du four. Le non-respect de cet avis endommagera l'intérieur en porcelaine et annulera votre garantie.

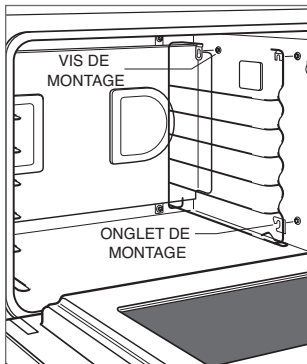
## Grilles du four

### GUIDES DE GRILLE DU FOUR

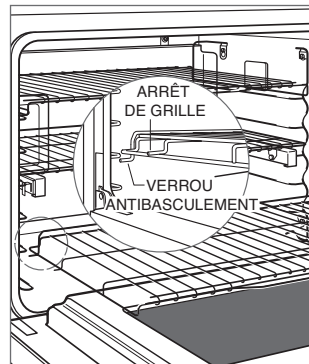
Pour insérer les guides de grille dans le four, repérez les vis de montage sur les parois latérales. Placez les onglets de montage du guide de grille sur les vis et glissez vers le bas jusqu'à ce qu'il soit bien appuyé. Reportez-vous à l'illustration ci-dessous.

### GRILLES DU FOUR

Pour insérer une grille standard dans le four, placez le verrou antibasculement de la grille sous les rails latéraux du guide de grille. Glissez la grille vers l'arrière et soulevez-la pour contourner les arrêts de grille. Continuez à glisser la grille vers l'arrière jusqu'à ce qu'elle soit complètement à l'intérieur du four. Reportez-vous à l'illustration ci-dessous.



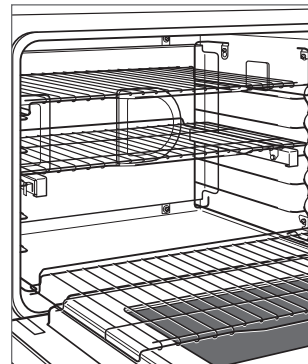
Guides de grille du four



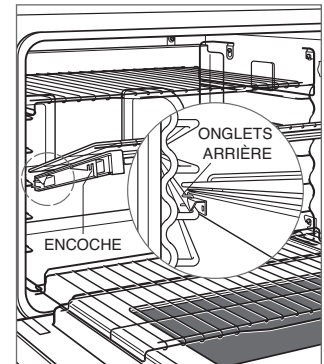
Verrouillage antibasculement de grille du four

La grille de four inférieure peut être sortie complètement et soutenue par la porte du four. La grille étant à la position de guide de grille la plus basse, glissez-la sur les guides de porte pour augmenter sa stabilité et son accès. Reportez-vous à l'illustration ci-dessous.

Pour insérer une grille facile à glisser à extension complète, placez les deux onglets arrière sur le guide de grille (un onglet au-dessus et un onglet en-dessous). Reportez-vous à l'illustration ci-dessous. Inclinez la grille légèrement et glissez-la vers l'arrière jusqu'à ce que l'encoche de grille avant enclenche le guide de grille avant.



Grille inférieure



Grille à extension complète

## Fonctionnement du four

### PANNEAU DE COMMANDE

Pour ouvrir et fermer le panneau de commande rotatif, appuyez sur l'interrupteur situé directement sous le panneau de commande. Lorsque le panneau de commande est visible, le four est opérationnel.

Le panneau de commande électronique comprend un clavier tactile pour les modes de cuisson et les autres fonctions. Reportez-vous à l'illustration ci-dessous.

- 1 Appuyez sur la touche OVEN ON (four en marche).
- 2 Enfoncez le mode de cuisson désiré sur le panneau de commande.
- 3 Touchez à ENTER (entrée) pour sélectionner une température pré-réglée ou utilisez le clavier numérique pour modifier la température.
- 4 Touchez à ENTER (entrée).

### VERROUILLAGE DU PANNEAU DE COMMANDE

La fonction de verrouillage des commandes empêche le fonctionnement non désiré du four. Enfoncez et tenez la touche PANEL LOCK (verrouillage du panneau) pendant trois secondes pour verrouiller et déverrouiller le panneau de commande.

### LUMIÈRE DU FOUR

La lumière du four s'allume automatiquement lorsque la porte est ouverte et s'éteint lorsqu'elle est fermée. Pour allumer la lumière lorsque la porte est fermée, touchez à LIGHT ON/OFF (marche/arrêt de la lumière) sur le panneau de commande.

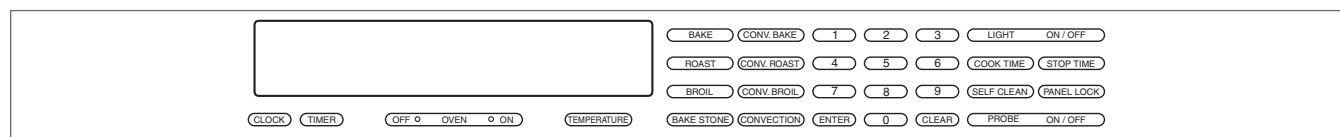
### AVANT L'UTILISATION

Pour s'assurer que toute l'huile résiduelle du processus de fabrication ait été éliminée, chaque four doit subir la procédure suivante.

- 1 Nettoyez le four à fond avec de l'eau chaude et un détergent doux. Rincez et séchez avec un chiffon doux.
- 2 Mettez la ventilation en marche. Il est normal de voir de la fumée et de sentir une odeur.
- 3 Touchez à CONVECTION ROAST (rôtissage par convection) et réglez la température à 550 °F (260 °C) pendant une heure.
- 4 Touchez à OFF (arrêt) et laissez le four se refroidir en gardant la porte fermée.

### PRÉCHAUFFAGE

Durant le préchauffage, le four se chauffe aussi rapidement et uniformément que possible et il n'est pas à son meilleur pour la cuisson. Le préchauffage doit être utilisé pour tous les modes de cuisson, sauf grillage et grillage par convection. Une fois le préchauffage terminé, une sonnerie audible indique que le four a atteint la température de réglage.



Panneau de commande

### Fonctionnement du four

#### HORLOGE

L'horloge est visible sur le panneau de commande durant tous les modes de cuisson, sauf lorsque la minuterie est utilisée. Il est très important que l'horloge soit réglée à la bonne heure pour utiliser une fonction de cuisson minutée. L'horloge doit être réinitialisée après une panne de courant

##### Réglage de l'horloge :

- 1 Touchez à CLOCK (horloge) sur le panneau de commande.
- 2 Utilisez le clavier numérique pour régler l'heure du jour.
- 3 Touchez à ENTER (entrée). Une sonnerie retentit indiquant que l'horloge a été réglée.
- 4 Pour passer de l'horloge de 12 heures à l'horloge de 24 heures, une fois l'horloge réglée, touchez à TEMPERATURE (température) pendant trois secondes, puis touchez à CLOCK (horloge), puis touchez à ENTER (entrée).

#### MINUTERIE

La minuterie peut être réglée pour une période maximale de 9 heures et 59 minutes. Une fois la durée réglée, le décompte s'illumine sur l'écran du panneau de commande. La dernière minute s'affiche en secondes. Lorsque la durée est terminée, le four émet une sonnerie et la durée clignote. La sonnerie continue à retentir toutes les 10 secondes jusqu'à ce que la touche CLEAR (annuler) soit enfoncée. La minuterie est indépendante du four. Le réglage de la minuterie n'affecte pas la durée de cuisson ou l'heure d'arrêt. Pour des renseignements au sujet des fonctions de programmation automatique, reportez-vous à la page 12.

##### Réglage de la minuterie :

- 1 Touchez à TIMER (minuterie) sur le panneau de commande.
- 2 Utilisez le clavier numérique pour régler la durée en heures et minutes.
- 3 Touchez à ENTER (entrée). Une sonnerie retentit indiquant que la minuterie a été réglée.

#### ÉCHELLE DE TEMPÉRATURE

Le four peut afficher la température en Fahrenheit (°F) ou en Celsius (°C).

##### Régler l'échelle de température :

- 1 Tandis que le four est éteint, enfoncez et tenez la touche TEMPERATURE (température) sur le panneau de commande pendant cinq secondes.
- 2 Touchez à COOK TIME (durée de cuisson) pour sélectionner °F ou °C.
- 3 Touchez à ENTER (entrée).

## Modes de cuisson

MODE	CLAVIER TACTILE	PRÉ-RÉGLAGE	ÉTENDUE	SONDE UTILISATIONS
Convection	CONVECTION	325 °F (165 °C)	170 – 550 °F (75 – 290 °C)	• Il est possible de cuire sur plusieurs grilles avec brunissage uniforme dans ce mode grâce au mouvement uniforme de l'air.
Cuisson par convection	CONV BAKE	375 °F (190 °C)	170 – 550 °F (75 – 290 °C)	• Idéal pour la cuisson des tartes.
Rôtissage par convection	CONV ROAST	325 °F (165 °C)	170 – 550 °F (75 – 290 °C)	• Idéal pour rôtir des coupes tendres de bœuf, d'agneau, de porc et de volaille.
Grillage par convection	CONV BROIL	Faible 350 °F (175 °C) Moyen 450 °F (230 °C) Élevé 550 °F (290 °C)		Réduit les temps de grillage pour les tranches épaisses de viande, de poisson et de volaille. Utilisez la lèchefrite à deux pièces et grillez toujours en gardant la porte du four fermée.
Cuisson	BAKE	350 °F (175 °C)	170 – 550 °F (75 – 290 °C)	• Idéal pour la cuisson sur une seule grille, surtout pour les aliments de boulangerie. À utiliser pour les recettes standards.
Rôtissage	ROAST	350 °F (175 °C)	170 – 550 °F (75 – 290 °C)	• Idéal pour le rôtissage de coupes moins tendres de viande, comme les rôtis de palette et la viande à ragoût, qui doivent être couvertes.
Grillage	BROIL	Faible 350 °F (175 °C) Moyen 450 °F (230 °C) Élevé 550 °F (290 °C)		Convient au grillage des morceaux de viande, de poisson et de volaille jusqu'à 1 po d'épaisseur. Utilisez la lèchefrite à deux pièces et grillez toujours en gardant la porte du four fermée.
Pierre de cuisson	BAKE STONE	400 °F (205 °C)	170 – 550 °F (75 – 290 °C)	• Cuisson sur une pierre en céramique. Idéale pour les pizzas et le pain. L'accessoire à pierre de cuisson est requis. D'autres directives sont comprises avec l'accessoire.
Apprêt	BAKE	85 °F (30 °C)	85 – 110 °F (30 – 45 °C)	• Idéal pour apprêter ou faire lever la pâte à pain.
Déshydratation	CONVECTION	135 °F (60 °C)	110 – 160 °F (45 – 70 °C)	Sèche une variété de fruits, légumes et viandes. Des grilles accessoires et une butée de porte sont requises. D'autres directives sont comprises avec l'accessoire.
Auto-nettoyage	SELF-CLEAN			Le four se chauffe jusqu'à une température extrêmement élevée pour permettre de brûler les restes de nourriture. Reportez-vous à la page 12.

### Apprêt

#### Réglage des commandes :

- 1 Enfoncez et tenez la touche BAKE (cuisson) pendant trois secondes.
- 2 La température est pré réglée à 85 °F (30 °C). Touchez à ENTER (entrée) pour sélectionner une température pré réglée ou utilisez le clavier numérique pour modifier la température jusqu'à 110 °F (45 °C).

### Déshydratation

Une trousse d'accessoires est requise. Les accessoires sont offerts par les dépositaires Wolf autorisés. Pour obtenir des renseignements sur le dépositaire local, visitez la section salle d'exposition de notre site Web, wolfappliance.com.

#### Réglage des commandes :

- 1 Placez la butée de porte fournie avec la trousse d'accessoires dans le verrou de la porte du four.
- 2 Enfoncez et tenez la touche CONVECTION pendant trois secondes.
- 3 La température est pré réglée à 135 °F (60 °C). Touchez à ENTER (entrée) pour sélectionner une température pré réglée ou utilisez le clavier numérique pour modifier la température entre 110 °F (45 °C) et 160 °F (70 °C), puis touchez à ENTER (entrée).

### Sonde de température

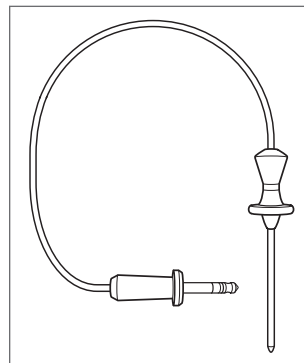
Utilisez uniquement la sonde de température expédiée avec cet appareil. Reportez-vous à l'illustration ci-dessous. La sonde de température mesure la température interne des aliments pendant la cuisson. Elle peut être utilisée avec tous les modes de cuisson, sauf grillage et grillage par convection.

#### Réglage des commandes :

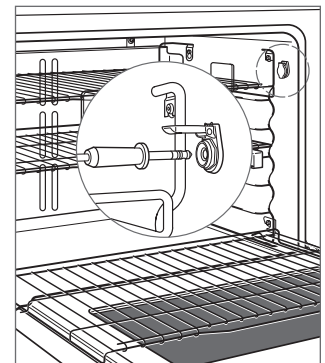
- 1 Enfoncez le mode de cuisson désiré.
- 2 Touchez à ENTER (entrée) pour sélectionner une température pré réglée ou utilisez le clavier numérique pour modifier la température, puis touchez à ENTER (entrée).
- 3 Insérez la sonde dans la zone la plus épaisse de l'aliment. Lorsque vous faites du pain, cuisez pendant environ 10 minutes avant d'insérer la sonde.
- 4 Lorsque le préchauffage est terminé, utilisez une poignée pour soulever le couvercle de la prise de sonde, puis insérez le connecteur. Reportez-vous à l'illustration ci-dessous.
- 5 Touchez à PROBE (sonde). Utilisez le clavier numérique pour sélectionner la température, puis touchez à ENTER (entrée). L'affichage bascule entre la température du four et la température réelle de la sonde.
- 6 Une sonnerie retentit indiquant que la température interne a atteint le point de réglage de la sonde. Retirez, puis insérez la sonde à nouveau pour vérifier la température interne.

#### ⚠ MISE EN GARDE

La sonde et la prise de la sonde seront très chaudes. Manipulez-les avec soin.



Sonde de température



Prise de la sonde

### Programmation automatique

#### CUISSON MINUTÉE

La cuisson minutée éteint automatiquement le four à une heure précisée. Le four commencera à chauffer immédiatement et s'éteindra à l'heure d'arrêt désirée. L'horloge doit être réglée à la bonne heure pour que la fonction de cuisson minutée fonctionne correctement. Utilisez cette fonction avec tout mode de cuisson sauf grillage, grillage par convection et pierre de cuisson.

##### Réglage des commandes :

- 1 Enfoncez le mode de cuisson désiré.
- 2 Touchez à ENTER (entrée) pour sélectionner une température pré-réglée ou utilisez le clavier numérique pour modifier la température.
- 3 Touchez à COOK TIME (durée de cuisson). Utilisez le clavier numérique pour régler la durée de cuisson en heures et minutes.
- 4 Touchez à ENTER (entrée).

#### MISE EN MARCHÉ DIFFÉRÉE

La mise en marche différée met automatiquement le four en marche et l'éteint à des heures précisées. Le four demeurera en attente jusqu'à l'heure de mise en marche et s'éteindra à l'heure d'arrêt désirée. L'horloge doit être réglée à la bonne heure pour que la mise en marche différée fonctionne correctement. Utilisez cette fonction avec tout mode de cuisson sauf grillage, grillage par convection et pierre de cuisson.

##### Réglage des commandes :

- 1 Enfoncez le mode de cuisson désiré.
- 2 Touchez à ENTER (entrée) pour sélectionner une température pré-réglée ou utilisez le clavier numérique pour modifier la température. Si vous touchez à ENTER (entrée), le four commence à chauffer immédiatement, mais passe au mode d'attente dès que l'heure d'arrêt est réglée.
- 3 Touchez à COOK TIME (durée de cuisson). Utilisez le clavier numérique pour régler la durée de cuisson en heures et minutes.
- 4 Touchez à STOP TIME (heure d'arrêt). Utilisez le clavier numérique pour régler l'heure d'arrêt en heures et minutes.
- 5 Touchez à ENTER (entrée).

### Shabbath

Cet appareil est certifié par Star-K pour répondre à des règlements religieux rigoureux relativement à des directives précises se trouvant sur [www.star-k.org](http://www.star-k.org).

##### Réglage des commandes :

- 1 Touchez à LIGHT ON/OFF (marche/arrêt de la lumière) pour allumer la lumière du four.
- 2 Touchez à BAKE ou ROAST. La température est pré-réglée à 350 °F (175 °C).
- 3 Touchez à ENTER (entrée) pour sélectionner une température pré-réglée ou utilisez le clavier numérique pour modifier la température, puis touchez à ENTER (entrée).
- 4 Enfoncez et tenez la touche ENTER (entrée) pendant cinq secondes. Le mot « SABBATH » apparaît sur l'affichage du panneau de commande indiquant que le mode Shabbath a été initié.
- 5 Pour annuler, touchez à OVEN OFF (four éteint).

### Auto-nettoyage

Durant le nettoyage automatique, le four est chauffé jusqu'à une température extrêmement élevée pour brûler les restes d'aliments. Les lumières du four sont désactivées. La porte du four se verrouillera et demeurera verrouillée jusqu'à ce que l'auto-nettoyage soit terminée et la température du four se trouve en dessous de 300 °F (150 °C).

##### Réglage des commandes :

- 1 Retirez toutes les grilles et tous les guides de grille du four. Ils changeront de couleur s'ils sont laissés dans le four pendant l'auto-nettoyage.
- 2 Touchez à SELF CLEAN (auto-nettoyage). Les mots « REMOVE ALL RACK AND RACK GUIDES. PRESS ENTER » (Retirez toutes les grilles et tous les guides de grille. Appuyez sur entrée.) apparaîtront sur l'affichage du panneau de commande.
- 3 Touchez à ENTER (entrée) deux fois.

#### ⚠ MISE EN GARDE

Pendant l'auto-nettoyage, les surfaces extérieures peuvent devenir plus chaudes que d'habitude. Les enfants ne doivent pas s'approcher.

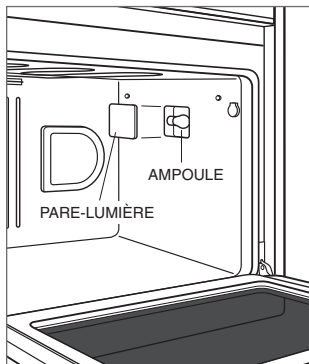


## Lampe du four

### ⚠ AVERTISSEMENT

Assurez-vous que le courant soit coupé au niveau du coffret électrique avant de remplacer l'ampoule.

Pour retirer le pare-lumière, dégagez doucement le rebord inférieur avec un tournevis plat. Retirez l'ampoule existante et remplacez-la par une ampoule halogène de 20 watts. Reportez-vous à l'illustration ci-dessous.



Remplacement de l'ampoule

## Conseils d'entretien

### NETTOYAGE

- |                                 |  |
|---------------------------------|--|
| <b>Acier inoxydable</b>         | Utilisez un nettoyant non abrasif pour l'acier inoxydable et appliquez-le avec un chiffon doux non pelucheux. Pour faire ressortir le lustre naturel, essuyez légèrement la surface avec un chiffon en microfibrilles humecté d'eau suivi d'un chamois à polir sec. Suivez toujours le grain de l'acier inoxydable.  |
| <b>Guides de grille du four</b> | Enlevez-les et déposez-les sur une surface plate près de l'évier. Nettoyez avec de l'eau chaude et un détergent doux ou une pâte de bicarbonate de soude et d'eau. N'immergez pas dans l'eau. Séchez avec une serviette.   |
| <b>Panneau de commande</b>      | Utilisez un dégraissant pulvérisé pour éliminer les empreintes de doigts et les taches de nourriture. Pulvérisez sur un chiffon avant d'essuyer le panneau.<br><br><b>REMARQUE IMPORTANTE :</b> ne pulvérisez pas les produits à nettoyer directement sur le panneau de commande.  |
| <b>Intérieur du four</b>        | Avant d'utiliser la fonction auto-nettoyage, utilisez une lame de rasoir pour soulever doucement les aliments cuits sur la cavité et la fenêtre du four. Pour les taches rebelles, pulvérisez un nettoyant abrasif doux ou un dégraissant en aérosol et frottez avec un tampon Scotch-Brite™ qui n'égratigne pas. Lavez la cavité du four au complet avec du savon et de l'eau pour éliminer tout produit chimique de nettoyage avant d'utiliser le mode auto-nettoyage. Si le résidu n'est pas nettoyé de la cavité, la porcelaine risque d'être gravée. Une fois le cycle d'auto-nettoyage terminé, laissez le four se refroidir complètement et essuyez les cendres avec un chiffon humide. |
| <b>Lèchefrite</b>               | Pour nettoyer la grille supérieure, utilisez un détergent doux et un tampon à récurer. Rincez et séchez. Pour nettoyer la partie inférieure, jetez la graisse et lavez dans de l'eau chaude avec un détergent doux. Rincez et séchez. La grille supérieure en acier inoxydable peut aller dans le lave-vaisselle, mais ne placez pas la grille ou le plateau enduits de porcelaine dans un lave-vaisselle.   |

### Dépannage

#### FONCTIONNEMENT

##### Le four ne fonctionne pas.

- Assurez-vous qu'il y a du courant.
- Vérifiez l'alimentation électrique vers le four et assurez-vous que le disjoncteur est en marche.
- Le four s'éteindra automatiquement après 12 heures d'utilisation continue, sauf en mode déshydratation ou Shabbath.

##### Problème de température du four.

- Communiquez avec le service à la clientèle de Wolf au 800-222-7820 pour obtenir des recommandations.

##### Aucune réaction de la part des touches du panneau de commande.

- Touchez à OVEN OFF (four éteint) pour quitter le mode Shabbath.
- Mettez le disjoncteur hors tension pendant cinq secondes, puis remettez-le en marche.

##### Le mot « SABBATH » est affiché sur le panneau de commande.

- Touchez à OVEN OFF (four éteint) pour quitter le mode Shabbath.

##### Les mots « PROBE SHORTED » (court-circuit de sonde) sont affichés sur le panneau de commande.

- Touchez à OVEN OFF (four éteint). Assurez-vous que le connecteur de sonde est entièrement appuyé au fond de la prise. Réinitialisez la température du four et la température de la sonde.

##### Le four émet des bruits pendant le préchauffage ou le refroidissement.

- Ceci est normal avec l'expansion et la contraction de toute nouvelle cavité.
- Lancez le cycle auto-nettoyage Si le problème persiste, communiquez avec le service à la clientèle de Wolf au 800-222-7820.

#### SERVICE

- Préservez la qualité intégrée dans votre produit en communiquant avec un service Wolf certifié par l'usine. Pour obtenir le nom du centre de service Wolf certifié par l'usine le plus près, consultez la section Contact et assistance de notre site Web, wolfappliance.com ou appelez le service à la clientèle de Wolf au 800-222-7820.
- Avant d'appeler pour obtenir du service, ayez en main les numéros de modèle et de série de votre produit. Les deux numéros sont indiqués sur la plaque signalétique du produit. Reportez-vous à la page 6 pour connaître l'emplacement de la plaque signalétique.
- Pour les besoins de la garantie, vous devrez aussi avoir la date d'installation et le nom de votre dépositaire Wolf autorisé. Ces renseignements doivent être notés à la page 3 de ce guide.

## Garantie limitée résidentielle Wolf Appliance

### POUR UTILISATION RÉSIDENTIELLE

#### GARANTIE COMPLÈTE DE DEUX ANS\*

Pendant deux ans à compter de la date d'installation originale, cette garantie de produit Wolf Appliance couvre toutes les pièces et la main d'œuvre pour réparer ou remplacer, selon un usage résidentiel normal, toute partie du produit qui s'avérerait défectueuse en vertu des matériaux ou de la fabrication. Tout service fourni par Wolf Appliance en vertu de la garantie ci-dessus doit être effectué par un centre de service Wolf certifié par l'usine, à moins d'indication contraire de la part de Wolf Appliance, Inc. Le service sera fourni pendant les heures normales d'affaires.

#### GARANTIE LIMITÉE DE CINQ ANS

Pendant cinq ans à compter de la date originale d'installation, Wolf Appliance réparera les pièces suivantes qui s'avèreront défectueuses en vertu des matériaux ou de la fabrication : les brûleurs au gaz (sauf l'apparence), les éléments de chauffage électrique, les moteurs de soufflerie (hottes de ventilation), les circuits de contrôle électronique, les tubes magnétrons et les génératrices à induction. Si le propriétaire utilise le service Wolf certifié en usine, le fournisseur de service réparera ou remplacera ces pièces et le propriétaire paiera pour tous les autres frais, y compris la main d'œuvre. Si le propriétaire utilise un service non certifié, il doit communiquer avec Wolf Appliance, Inc. (avec les renseignements ci-dessous) pour obtenir des pièces réparées ou de rechange. Wolf Appliance ne remboursera pas le propriétaire pour les pièces achetées d'un service non certifié ou d'autres sources.

#### CONDITIONS S'APPLIQUANT À CHAQUE GARANTIE

La garantie s'applique uniquement aux produits installés pour un usage résidentiel normal. La garantie s'applique seulement aux produits installés dans l'un des cinquante États des États-Unis, dans le District of Columbia ou les dix provinces du Canada. Cette garantie ne couvre pas les pièces ou la main d'œuvre pour corriger tout défaut causé par de la négligence, un accident ou une utilisation, un entretien, une installation, un service ou une réparation inappropriés.

**LES REMÈDES DÉCRITS CI-DESSUS POUR CHAQUE GARANTIE SONT LES SEULS QUI SONT OFFERTS PAR WOLF APPLIANCE, INC. EN VERTU DE CETTE GARANTIE OU EN VERTU DE TOUTE GARANTIE DÉCOULANT DE L'OPÉRATION DE LA LOI. WOLF APPLIANCE, INC. NE SERA PAS RESPONSABLE DES DOMMAGES INDIRECTS OU CONSÉCUTIFS DÉCOULANT DE LA VIOLATION DE CETTE GARANTIE OU DE TOUTE GARANTIE, EXPRESSE, IMPLICITE OU LÉGALE.**

Certaines provinces ne permettent pas l'exclusion ou la restriction des dommages indirects ou consécutifs, par conséquent, la limite ou l'exclusion ci-dessus peut ne pas s'appliquer à votre cas. Cette garantie vous confère des droits légaux précis et vous pouvez aussi avoir d'autres droits légaux qui peuvent varier d'une province à l'autre.

Pour obtenir des pièces et/ou du service et le nom du centre de service Wolf certifié par l'usine le plus près de chez vous, communiquez avec Wolf Appliance, Inc., P.O. Box 44848, Madison, WI 53744 É.-U.; consultez la section Contact et assistance de notre site Web, [wolfappliance.com](http://wolfappliance.com), envoyez-nous un courriel à [customerservice@subzero.com](mailto:customerservice@subzero.com) ou composez le 800-222-7820.

\*L'acier inoxydable (les portes, les panneaux, les poignées, les cadres et les surfaces intérieures) est couvert par une garantie limitée de 60 jours sur les pièces et la main d'œuvre pour toute défectuosité cosmétique.

\*Les filtres de rechange pour les trousseaux de remise en circulation de hotte de ventilation ne sont pas couverts par la garantie du produit.





WOLF APPLIANCE, INC. P.O. BOX 44848 MADISON, WI 53744 WOLFAPPLIANCE.COM 800.222.7820

816986 REV-D

2/2018

