



# 30" and 36" Contemporary Cooktop/Downdraft Trim Installation

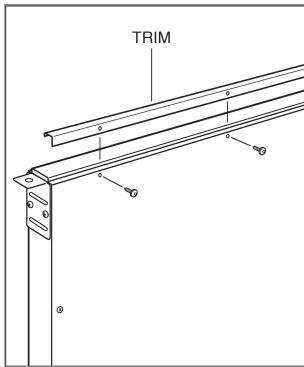
wolfappliance.com 800.222.7820

## CONTENTS

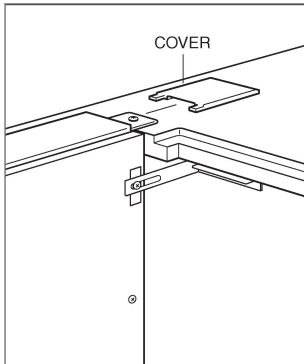
1	Trim, front
3	Screw, self-drilling
1	Cover, top
2	Cover, side

## 30" AND 36" CONTEMPORARY COOKTOP/DOWNDRAFT TRIM INSTALLATION

- 1 Place the downdraft trim on the top, front edge of the downdraft and secure with the self-drilling screws provided.



- 2 Install the side covers provided with this kit.



- 3 Install the top cover provided with this kit with the nuts provided with the downdraft.

