



Models 427 & 427R Door Lock Installation

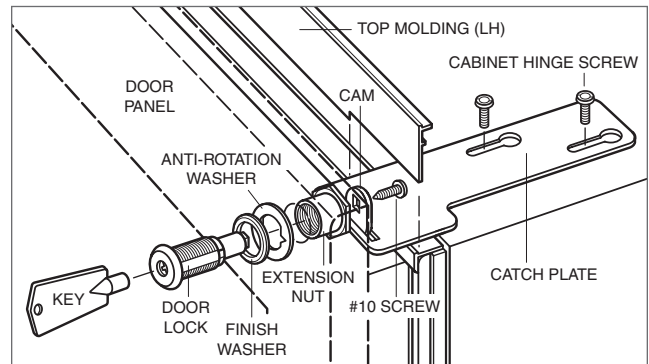
subzero.com 800.222.7820

Contents

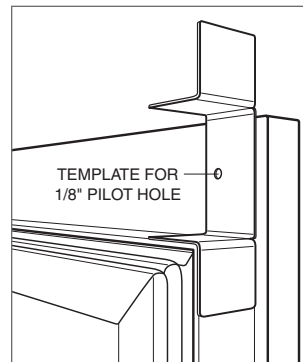
Qty	Description
1	Washer, Anti-Rotation
1	Plate, Catch
1	Screw, #10 x 3/4"
1	Lock, Door
1	Key
1	Washer, Finish
1	Nut, Extension
1	Cam
2	Molding, Top (rt,lt)
1	Template, 1/8" Drilling
1	Instructions

Door Lock Installation

- 1) If possible, install the lock components onto the appliance when it is approximately 6" from being fully installed. If the top edge of the door panel is less than 81 inches from the floor, it may be affected by the lock barrel hole described in step 3.
- 2) Remove the two top cabinet hinge screws on the handle side of the appliance. Using the two cabinet hinge screws, install the catch plate and tighten the screws to a sliding fit.
- 3) Use the drilling template provided to drill a 1/8" diameter pilot hole through the panel. Then, use a 7/8" (Forstner) bit to drill the hole for the lock assembly. **IMPORTANT NOTE:** The drilling template must fit flush with the front and side of the wood panel and the bottom edge must rest tight on top of the door frame. Take special care not to damage the panel when using template or drilling holes.
- 4) Insert the lock through the finish washer, anti-rotation washer, panel hole and install the extension nut. **IMPORTANT NOTE:** When positioning the anti-rotation washer, hole flats need to be vertically positioned.
- 5) Install the cam onto the lock using the #10 screw so that a clockwise rotation will lock the door.
- 6) Adjust the catch plate for a proper fit. Check the lock for proper operation. Tighten the catch plate screws.
- 7) Install the special top molding strip. Install side moldings.



Left Hand (LH) Hinged Application.



Drilling Template.

