

Contents

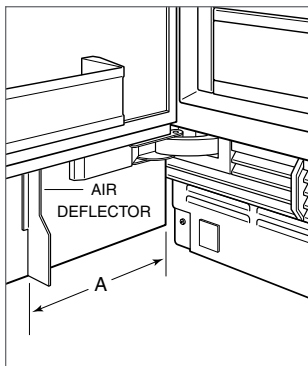
REDUCED TOE KICK KIT	
1	Air Deflector
1	Instructions

Placement

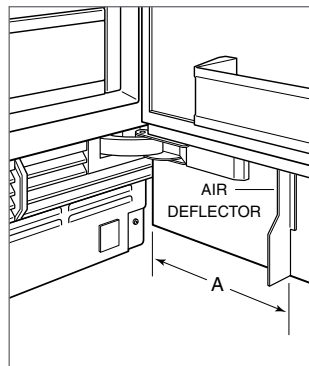
For tall and drawer models, position the air deflector using the right hinge dimension provided in the chart below.

For column models, the air deflector position is dependant on the hinge location. Verify the hinge location then refer to the chart and illustrations below.

WIDTH	LEFT-HINGE	RIGHT-HINGE
	A	A
18" Model	8 ⁷ / ₈ " (225)	8 ⁷ / ₈ " (225)
24" Model	11 ⁷ / ₈ " (302)	11 ⁷ / ₈ " (302)
27" Model	13 ³ / ₈ " (340)	13 ³ / ₈ " (340)
30" Model	16 ⁷ / ₈ " (429)	12 ⁷ / ₈ " (327)
36" Model	22 ⁷ / ₈ " (581)	12 ⁷ / ₈ " (327)



Left-hinge models.



Right-hinge models.

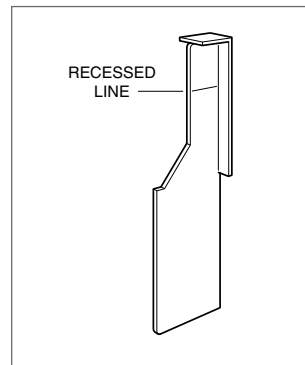
Modification

For 18" (457) wide models only, the air deflector must be reduced in height to accommodate the lower hinge. A recessed line at the top of the air deflector indicates the area that must be removed. To remove, use a utility knife or hacksaw. Refer to the illustration below.

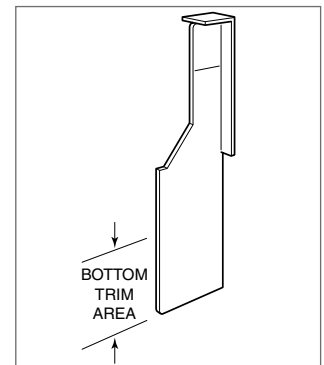
If the toe kick height is between the minimum 2" (51) and 3⁷/₈" (98), the bottom of the air deflector must be trimmed to the appropriate toe kick height. Temporarily place the air deflector on dimension 'A', then mark the bottom edge of the panel on the deflector. Remove excess with a utility knife or hacksaw. Refer to the illustration below.

Installation

Once the air deflector has been trimmed to fit, remove the paper backing from the deflector, then press firmly to the door panel to install.



Modify air deflector—top.



Modify air deflector—bottom.

