

CONTENTS

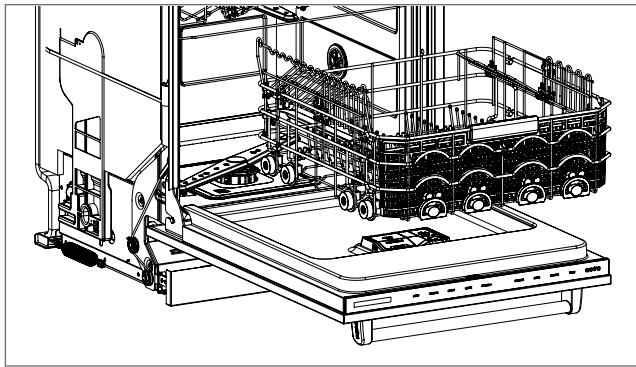
Lower rack tine pair

TOOLS REQUIRED

None

REMOVE THE LOWER RACK

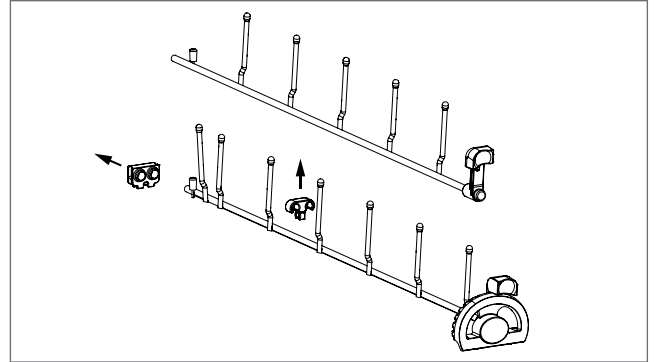
- 1 Open the door.
- 2 Pull the lower rack forward.
- 3 Lift the lower rack from the unit.



REMOVE THE LOWER RACK TINES

- 1 Place the lower rack on a flat surface facing upward.
- 2 Use the green tabs to adjust the tines to the upward position.
- 3 Pull upward on the middle and rear tine clips to raise the rear of the tine pair.
The clips will come loose from the rack, but they will still hold the tine pair together.
- 4 Remove the rear tine clip.
- 5 Lift the rear of the tine pair to angle it upward.
- 6 Pull the tine pair backward to remove it from the front hub.
- 7 Remove the tine pair from the rack.

- 8 If necessary, separate the tines by removing the middle tine clip.



INSTALL THE LOWER RACK TINES

TIP: To make the installation easier, soften the middle tine clip by soaking it in warm water.

- 1 Lay the new tines on a flat surface, with the clip in the middle.
- 2 Press the new tines into the clip, using thumbs on either side of the clip.
- 3 Insert the tine pair into the rack so the tine adjusters fit into the front hub.
- 4 Insert the rear of the tines into the rear tine clip.
- 5 Press the rear tine clip into the rack.
- 6 Turn the rack on its side.
- 7 Attach the middle tine clip to the rack by bracing the rack wire with thumbs and pressing the clip onto the rack wire.

INSERT THE LOWER RACK

- 1 Set the lower rack onto the track on the open door.
- 2 Slide the lower rack into the dishwasher.

