



# DW2450 and DW2450WS Middle Rack Tines Replacement

www.coveappliance.com 800.222.7820

## CONTENTS

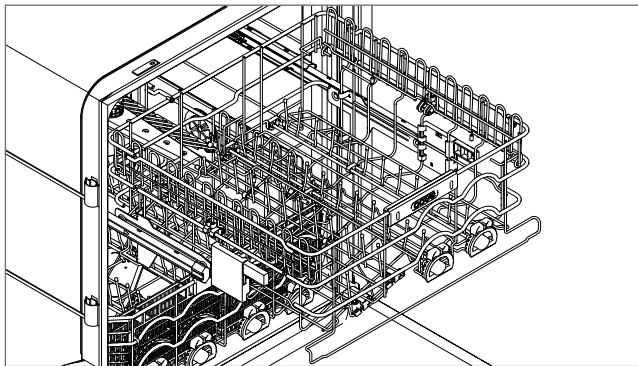
Middle rack tine pair

## TOOLS REQUIRED

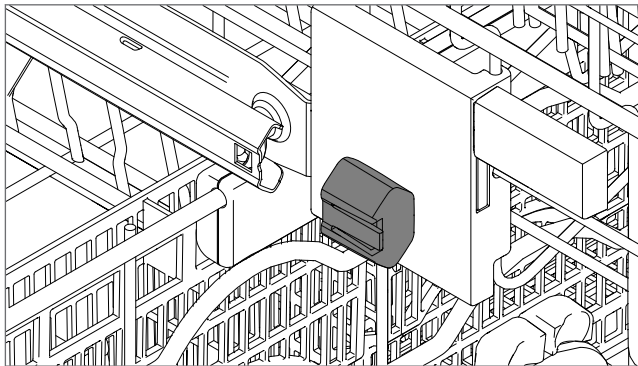
None

## REMOVE THE MIDDLE RACK

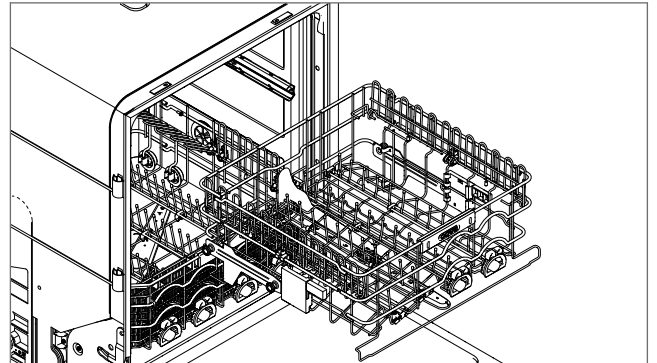
- 1 Open the door.
- 2 Pull the middle rack forward.



- 3 Remove the end caps on both rails by pulling the end cap locking tabs outward, then pulling the end caps off the rails.

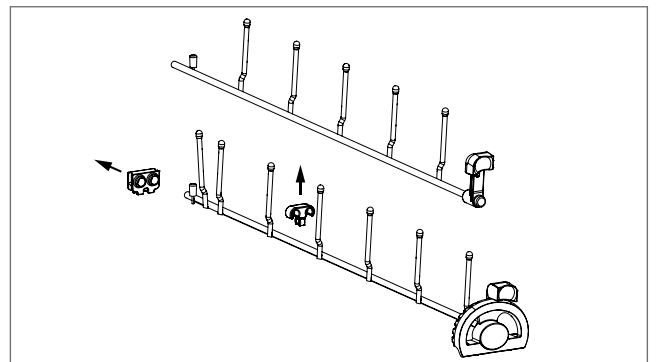


- 4 Remove the middle rack from the unit.



## REMOVE THE MIDDLE RACK TINES

- 1 Place the middle rack on a flat surface facing upward.
- 2 For adjustable tines:
  - a) Use the green tabs to adjust the tines to the upward position.
  - b) Pull upward on the middle and rear tine clips to raise the rear of the tine pair. The clips will come loose from the rack, but they will still hold the tine pair together.
  - c) Remove the rear tine clip.
  - d) Lift the rear of the tine pair to angle it upward.
  - e) Pull the tine pair backward to remove it from the front hub.
  - f) Remove the tine pair from the rack.
  - g) If necessary, separate the tines by removing the middle tine clip.



## Adjustable tines

- 3 For non-adjustable tines:

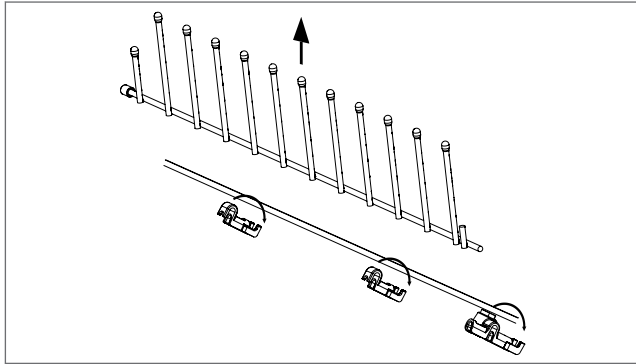


- a) Remove the tine clips by pressing down on the part of the clip opposite the tine.

**TIP:** The front clip looks different, but is removed in the same way.

The clips will release from the rack and slide off the tine.

- b) Remove the tine from the rack.



Non-adjustable tines

## INSTALL THE MIDDLE RACK

- 1 Install the middle rack into the rails.
- 2 Push in the middle rack.
- 3 Pull out the middle rack rail partially to access the ends of the rails.
- 4 Insert the end caps onto the ends of the rails, with the tab facing toward the tub wall.
- 5 Push in the middle rack.

## INSTALL THE MIDDLE RACK TINES

- 1 For adjustable tines:
  - a) With the tine pair held in place by the middle tine clip, angle the tines downward and insert their fronts into the front hub.
  - b) Place the rear tine clip over the rear tine pair.
  - c) Press the middle and rear tine clips down so they snap onto the rack.

- 2 For non-adjustable tines:

- a) Place the tine into the rack.
- b) At the front, middle, and rear of the tine, install the tine clips by pressing them over the tine and under the rack wire.

**TIP:** The front clip looks different, but is installed in the same way.