

## ABOUT THE SUB-ZERO WATER FILTRATION SYSTEM

**NOTICE:** To reduce the risk associated with property damage due to water leakage, the disposable filter cartridge must be replaced every 12 months, at the rated capacity or when a noticeable drop in pressure occurs.

### WHEN TO REPLACE THE FILTER CARTRIDGE

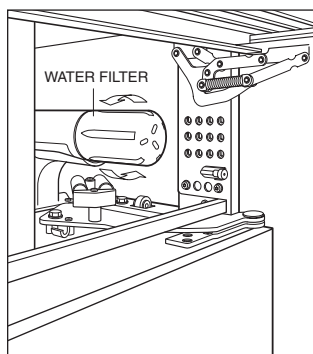
The water filter cartridge is designed to last for up to one year of continuous use of the ice maker. The electronic control system helps to monitor the life of the water filter cartridge and indicates when it needs to be replaced. An indicator will be visible near the temperature display.

Although it is designed to last for up to one year of use, the actual life of the filter cartridge may vary with water supply conditions. Therefore, it is recommended that the filter cartridge be replaced when the indicator is displayed, if there is a noticeable drop in pressure, the ice cubes become hollow, or every 12 months, whichever comes first.

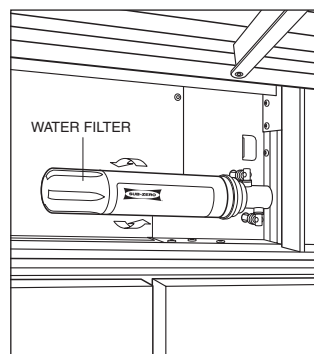
**IMPORTANT NOTE:** If the unit has been turned off or the ice maker disabled for one month or longer, the water filter cartridge should be replaced once the unit and ice maker are back in operation.

### CHANGING THE WATER FILTER CARTRIDGE

- 1) Lift the grille assembly to access the water filter. To lift the grille, pull out on the bottom edge of the grille and tilt the grill frame upward.
- 2) Slowly rotate the old filter cartridge one-quarter turn counterclockwise to disengage. Gently twist until the cartridge is free from the base. Do not pull. There will be water in the filter cartridge, so it is normal for a small amount of water to spill out. Refer to the water filter removal illustration below.



Built-in water filter removal.



Pro 48 water filter removal.

- 3) Remove the new filter cartridge from its packaging and carefully remove the cap.
- 4) Line up the cartridge so that the locking tabs can be inserted into the filter head.
- 5) Rotate the filter cartridge into the base about one-quarter turn clockwise until it stops. Do not over tighten.
- 6) After the new filter cartridge is installed, the first full bucket of ice produced should be discarded. This will help clean the water system and clear air from the line. Allow 24 hours before discarding the first bucket of ice.

### WATER FILTER BYPASS MODE

If you choose not to use the water filtration system, the system can be placed in water filter bypass mode. In this mode, the water supplied to the ice maker will not be filtered and the electronically controlled water filter monitor will be deactivated.

The water filter system is automatically goes into bypass mode when the filter cartridge is removed. Once a filter cartridge is reinstalled, the water filtration system will be activated and the water filter monitor function will resume.

**IMPORTANT NOTE:** If you are using a reverse osmosis system, the water filter cartridge must be removed to put the water filtration system into filter bypass mode.

### REPLACEMENT WATER FILTER CARTRIDGES

Replacement Sub-Zero water filter cartridges can be ordered online at [subzerowolfstore.com](http://subzerowolfstore.com). For questions, contact Sub-Zero customer care at 800-222-7820.

# WATER FILTRATION SYSTEM PERFORMANCE DATA SHEET

## SUB-ZERO WATER FILTRATION SYSTEM MODEL 4290510 (REPLACEMENT CARTRIDGE #4204490)



System tested and certified by NSF International against NSF/ANSI Standard 42 and 53 for the reduction of substances listed below and against CSA B483.1.

This system has been tested according to NSF/ANSI 42/53 for reduction of the substances listed below. The concentration of the indicated substances in water entering the system was reduced to a concentration less than or equal to the permissible limit for water leaving the system, as specified in NSF/ANSI 42/53.

Contaminant Reduction*	Average Influent Concentration	NSF Specified Challenge Concentration	Average % Reduction	Product Water Concentration		NSF Reduction Requirements	NSF Test Report
				Average	Max. Permissible		
Chlorine Taste & Odor	2.0 mg/L	2.0 mg/L ± 10%	97.5%	0.05 mg/L	N/A	≥50%	J-00056501
Nominal Particulate Class I, ≥0.5 to <1.0 µm	13,666,667 pts/ml	At least 10,000 particles/ml	98.9%	143,333 pts/ml	N/A	≥85%	J-00056506
Asbestos	96 MF/L	10 <sup>7</sup> to 10 <sup>8</sup> fibers/L <sup>†</sup>	>99%	<1 MF/L	N/A	≥99%	J-00056511
Atrazine	0.010 mg/L	0.009 mg/L ± 10%	89.3%	0.001 mg/L	0.003 mg/L	N/A	J-00056512
Benzene	0.014 mg/L	0.015 mg/L ± 10%	96.3%	0.005 mg/L	0.005 mg/L	N/A	J-00056535
Carbofuran	0.08 mg/L	0.08 mg/L ± 10%	86.6%	0.01 mg/L	0.04 mg/L	N/A	J-00056537
Cyst**	122,500 cysts/L	Minimum 50,000 cysts/L	99.99%	1 cyst/L	N/A	≥99.95%	J-00056513
Lead at pH 6.5	0.153 mg/L	0.15 mg/L ± 10%	99.3%	0.001 mg/L	0.010 mg/L	N/A	J-00056515
Lead at pH 8.5	0.150 mg/L	0.15 mg/L ± 10%	99.3%	0.001 mg/L	0.010 mg/L	N/A	J-00058784
Lindane	0.002 mg/L	0.002 mg/L ± 10%	97.8%	0.00004 mg/L	0.0002 mg/L	N/A	J-00058969
Mercury at pH 6.5	0.006 mg/L	0.006 mg/L ± 10%	95.0%	0.0003 mg/L	0.002 mg/L	N/A	J-00058785
Mercury at pH 8.5	0.006 mg/L	0.006 mg/L ± 10%	88%	0.0007 mg/L	0.002 mg/L	N/A	J-00058783
Toxaphene	0.015 mg/L	0.015 mg/L ± 10%	93.2%	0.001 mg/L	0.003 mg/L	N/A	J-00056531
P-Dichlorobenzene	0.215 mg/L	0.225 mg/L ± 10%	99.7%	0.0005 mg/L	0.075 mg/L	N/A	J-00056538

\* Contaminant reduction determined by NSF testing. \*\*Based on the use of *Cryptosporidium Parvum* oocysts. † Fibers greater than 10 µm in length.

### APPLICATION GUIDELINES / WATER SUPPLY PARAMETERS

Capacity: certified for up to 750 gallons (2,839 L); up to twelve months  
 Service Flow: 0.78 gpm (2.95 Lpm)  
 Water Supply: potable water  
 Water Pressure: 35 – 120 psi (2.8 – 8.2 bar)  
 Water Temperature: 33°F – 100°F (0.6°C – 37.8°C)

### SPECIAL NOTES

- Replacement Sub-Zero water filter cartridges can be ordered online at [subzerowolfstore.com](http://subzerowolfstore.com). For questions, contact Sub-Zero customer care at 800-222-7820.
- It is recommended that the filter cartridge be replaced when the indicator is displayed, if there is a noticeable drop in pressure, the ice cubes become hollow, or every 12 months, whichever comes first. Replacement filter pricing information can be found at [subzerowolfstore.com](http://subzerowolfstore.com).
- This filter must be installed, operated, maintained and replaced as required in order for the product to perform as advertised.
- Note that while the testing was performed under standard laboratory conditions, actual performance may vary. The contaminants or other substances removed or reduced by this water treatment system are not necessarily in your water.

### USE & CARE GUIDE

**WARNING:** Do not use with water that is microbiologically unsafe or of unknown quality without adequate disinfection before or after the system. Systems certified for cyst reduction may be used on disinfected water that may contain filterable cysts. EPA Establishment #10350-MN-005.

**WARNING:** To reduce the risk associated with choking:

- Do not allow children under 3 years of age to have access to small parts during the installation of this product.

**NOTICE:** To reduce the risk associated with property damage due to water leakage or flooding:

- Read and follow Use Instructions before installation and use of this system.
- Installation and use MUST comply with all state and local plumbing codes.
- Protect from freezing, remove filter cartridge when temperatures are expected to drop below 33°F (1°C).
- Do not install systems in areas where ambient temperatures may go above 110°F or below 40°F.
- Do not install on hot water supply lines. The maximum operating water temperature of this filter system is 100°F (37.8°C).
- Do not install if water pressure exceeds 120 psi (827 kPa). If your water pressure exceeds 80 psi (552 kPa), you must install a pressure limiting valve. Contact a plumbing professional if you are uncertain how to check your water pressure.
- Do not install where water hammer conditions may occur. If water hammer conditions exist you must install a water hammer arrester. Contact a plumbing professional if you are uncertain how to check for this condition.
- Where a backflow prevention device is installed on a water system, a device for controlling pressure due to thermal expansion must be installed.

To ensure optimal filter performance:

- Change the disposable filter cartridge every twelve months or sooner if you observe a noticeable reduction in water flow rate.
- Failure to replace the disposable filter cartridge at recommended intervals may lead to reduced filter performance and cracks in the filter housing, causing water leakage or flooding.

## WATER FILTER CARTRIDGE LIMITED WARRANTY

Sub-Zero will repair or replace any filter cartridge which proves to be defective in materials or workmanship for a period of one year from the date of purchase. The warranty does not cover routine replacement due to normal use. For warranty claims, call 800-222-7820.

The warranty applies only to products installed in any one of the fifty states of the United States, the District of Columbia or the ten provinces of Canada. This warranty does not cover any parts or labor to correct any defect caused by local poor water quality, negligence, accident or improper use, maintenance, installation, service or repair.

The remedies described above for each warranty are the only ones that Sub-Zero will provide, either under these warranties or under any warranty arising by operation of law. Sub-Zero will not be responsible for any consequential or incidental damages arising from the breach of these warranties or any other warranties, whether express, implied or statutory.

Some states do not allow the exclusion or limitation of incidental or consequential damages, so the above limitation or exclusion may not apply to you. This warranty gives you specific legal rights and you may also have other legal rights, which vary from state to state.