

PRO- 48 - Anti-Tip Bracket Installation Instructions

CONTAINS:

| QUANTITY | PART NUMBER | DESCRIPTION |
|----------|-------------|--|
| 3 | 6110620 | 3/8"-16 X 3/4" Trubolt Concrete Anchor |
| 3 | 6160390 | Nylon Zip-it Wall Anchor |
| 12 | 6201190 | #12 x 2-1/2" AB PH Pan HD Screws |
| 3 | 6201520 | #8-18 x 1-1/4" AB PH HD Screws |
| 12 | 6240040 | 1/4" Flat Washer |
| 1 | 3758481 | Instructions |

PROCEDURE:

Installation of Anti-Tip Bracket:

For Shipping, anti-tip blocking bracket is fastened to crate base at front of unit. Where you are installing it, you must install anti-tip bracket 26" (660) back from front face frame so it engages unit properly as shown in Figure 1. It is important that this measurement be made from front of face frame, to back of bracket. In all instances, Sub-Zero unit should be installed on a solid base. **NOTE:** Middle set of holes on lower flange must be aligned in center of bracket. They are located 9-5/8" from right side of bracket. Therefore, once installed, bracket will be off-set to left side of rough opening (See Figure 2).

Wood Floor Application (See Figure 3):

Use twelve #12 x 2-1/2" wood screws and twelve 1/4" flat washers provided. Following figure 1, drill pilot holes 3/16" diameter maximum, being certain screws penetrate through flooring material and into wall plate a minimum of 3/4". Be sure screws hold tight. If #12 x 2-1/2" screws do not hit a wall stud in any of upper holes on back of bracket, use a provided #8 x 1-1/4" wood screw, 1/4" flat washer and a zip-it wall anchor in its place.

Concrete Floor Application (See Figure 4):

Use three 3/8" x 3-3/4" concrete wedge anchors, six #12 x 2-1/2" wood screws, and six 1/4" flat washer provided. If #12 x 2-1/2" screws do not hit a wall stud in any of upper holes on back of bracket, use a provided #8-18 x 1-1/4" wood screw, 1/4" flat washer and a nylon zip-it wall anchor in its place.

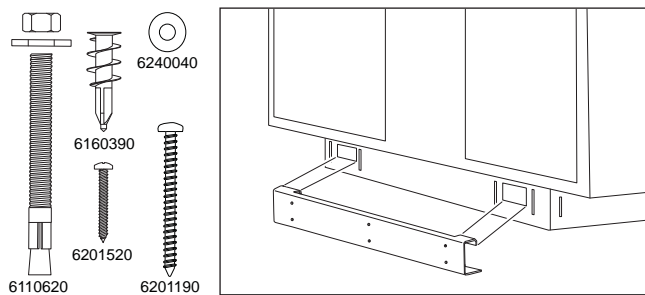


Figure 1

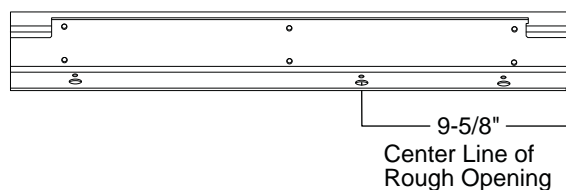


Figure 2

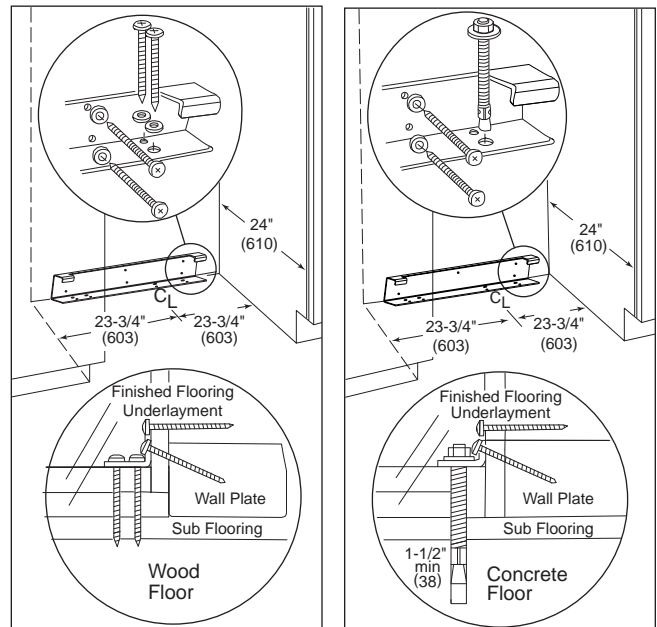


Figure 3

Figure 4

