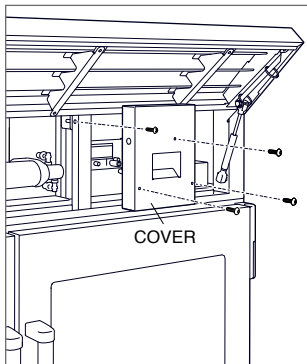


## CONTENTS

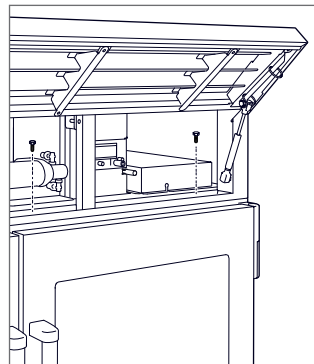
1	Panel, top
4	Screw

## INSTALLATION

- 1 Rotate the grille upward. Remove the display cover by extracting 3 screws from the display and one from the vertical support, then disconnect the communication cable from receptacle.
- 2 Remove three bolts from the bottom of the grille, then remove the grille assembly.

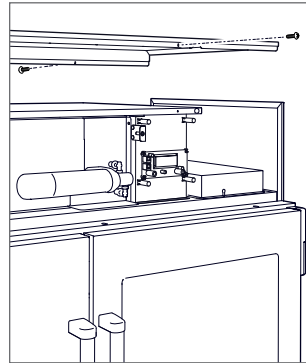


Remove cover.



Remove grille assembly

- 3 Position the top panel with the longer flange toward the back of the unit.
- 4 Use the four screws provided to secure the panel to the unit. Once the panel is secure, reinstall the grille assembly, communication cable and display cover.



Position top panel.

