

## Upper Door Compartment Light Switch & Fan Switch Removal (All Tall Units)

The upper door compartment light switch and fan switch protrude through the top trim molding, just above the door. Tabs on the switches hold the switches in the switch bracket behind the top trim, and the bracket is attached to the switch enclosure with two screws.

**NOTE:** The switch with the white back is for the lights and the switch with the black back is for the evaporator fan.

To access and remove a light and/or fan switch, First remove the the side molding strips. Then, pull the top of the top molding forward, then lift up. Remove the two screws from the switch bracket and pull the bracket forward. (See Figure 7-3) Disconnect the electrical leads from the switch being removed. Depress the tabs on the side of the switch and push the switch out of the bracket.

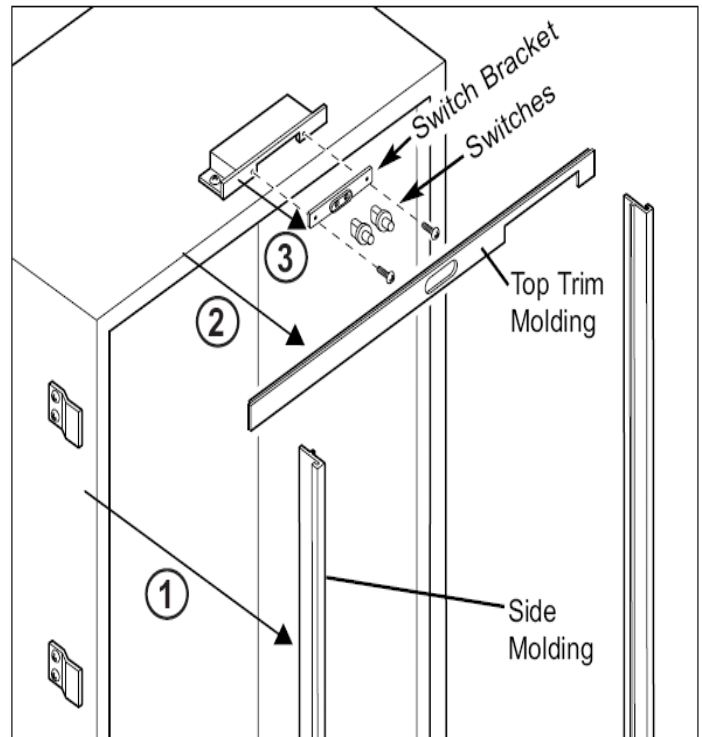


Figure 7-3. Upper Light Switch & Fan Switch