

ABOUT THE SUB-ZERO WATER FILTRATION SYSTEM

WHEN TO REPLACE THE FILTER CARTRIDGE

The water filter cartridge is designed to last for up to six months of continuous use of the ice maker. The electronic control system monitors the life of the water filter cartridge and indicates when it needs to be replaced. An indicator that reads "REPLACE FILTER" will be visible on the right side of the control panel.

Although it is designed to last for up to six months of use, the actual life of the filter cartridge may vary with water supply conditions. Therefore, it is recommended that the filter cartridge be replaced when the "REPLACE FILTER" indicator is displayed or if the ice cubes become hollow or smaller.

Once the filter cartridge has been replaced, depress the CLEAN key pad for six seconds to reset the counter and light.

IMPORTANT NOTE: If the unit has been turned off or the ice maker disabled for one month or longer, the water filter cartridge should be replaced once the unit and ice maker are back in operation.

CHANGING THE WATER FILTER CARTRIDGE

- 1) Slowly rotate the old filter cartridge one-quarter turn counterclockwise to disengage. Gently twist until the cartridge is free from the base. Do not pull. There will be water in the filter cartridge, so it is normal for a small amount of water to spill out. Refer to the water filter removal illustration below.
- 2) Remove the new filter cartridge from its packaging and carefully remove the cap.
- 3) Line up the cartridge so that the locking tabs can be inserted into the filter head.

- 4) Rotate the filter cartridge into the base about one-quarter turn clockwise until it stops. Do not over tighten.
- 5) After the new filter cartridge is installed, the first full bucket of ice produced should be discarded. This will help clean the water system and clear air from the line. Allow 24 hours before discarding the first bucket of ice.

WATER FILTER BYPASS MODE

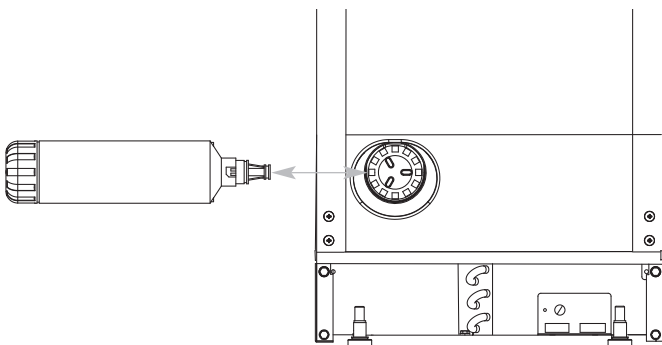
If you choose not to use the water filtration system, the system can be placed in water filter bypass mode. In this mode, the water supplied to the ice maker will not be filtered and the electronically controlled water filter monitor will be deactivated.

The water filter system automatically goes into bypass mode when the filter cartridge is removed. Once a filter cartridge is reinstalled, the water filtration system will be activated and the water filter monitor function will resume.

IMPORTANT NOTE: If you are using a reverse osmosis system, the ice machine should be placed in bypass mode by removing the water filter cartridge.

REPLACEMENT WATER FILTER CARTRIDGES

Replacement water filter cartridges (7012333) can be ordered by calling 800-222-7820 or online at www.subzerowolfstore.com.



Water filter replacement.

WATER FILTRATION SYSTEM PERFORMANCE DATA SHEET

SUB-ZERO WATER FILTRATION SYSTEM MODEL 56145 (REPLACEMENT CARTRIDGE #7012333)



System tested and certified by NSF International against NSF/ANSI Standard 42 for the reduction of Chlorine Taste and Odor, Particulate Class III.

These systems have been tested according to Standard NSF/ANSI 42 for the reduction of the substances listed below. The concentration of the indicated substances in water entering the system was reduced to a concentration less than or equal to the permissible limit for water leaving the system as specified in NSF/ANSI 42.

CONTAMINANT REDUCTION DETERMINED BY NSF TESTING

Contaminant Reduction	Average Influent Concentration	Influent Challenge Concentration. Units apply to each row	Avg. Product Water Concentration	Avg. % Reduction	NSF Reduction Requirements	NSF Test
Particulate Class III Particle size: >5 to <15 um	6533	At least 10,000 particles/ml	1479	97.7	≥ 85%	516550-05
Chlorine Taste and Odor	2.1	2.0 mg/L ± 10%	0.27	87.1	≥ 50%	516549-05

APPLICATION GUIDELINES / WATER SUPPLY PARAMETERS

For cold water use only.
 Capacity: 2,800 gallons (10,600 liters) depending on local water conditions
 Service Flow: 0.75 gpm (2.84 lpm)
 Water supply: Community or private well
 Water pressure: 25–125 psi (172–862 kPa)
 Water temperature: 35°F–100°F (1.7°C–38°C)

SPECIAL NOTES

- It is essential that operational, maintenance and filter replacement requirements be carried out for this product to perform as advertised. Change cartridges every 6 months. Flush new cartridge for 1.5 gallons (approx. 2 minutes). Use replacement cartridges 7012333.
- Do not use with water that is microbiologically unsafe or of unknown quality without adequate disinfection before or after the system.
- Systems must be installed and operated in accordance with manufacturer's recommended procedures and guidelines.
- Note that while the testing was performed under standard laboratory conditions, actual performance may vary.

Manufactured for: Sub-Zero, Inc., PO Box 44848, Madison, WI 53744. Phone: (800) 222-7820

WATER FILTER CARTRIDGE LIMITED WARRANTY

Sub-Zero will repair or replace any filter cartridge which proves to be defective in materials or workmanship for a period of one year from the date of purchase. The warranty does not cover routine replacement due to normal use. For warranty claims, call 800-222-7820.

The warranty applies only to products installed in any one of the fifty states of the United States, the District of Columbia or the ten provinces of Canada. This warranty does not cover any parts or labor to correct any defect caused by local poor water quality, negligence, accident or improper use, maintenance, installation, service or repair.

The remedies described above for each warranty are the only ones that Sub-Zero will provide, either under these warranties or under any warranty arising by operation of law. Sub-Zero will not be responsible for any consequential or incidental damages arising from the breach of these warranties or any other warranties, whether express, implied or statutory.

Some states do not allow the exclusion or limitation of incidental or consequential damages, so the above limitation or exclusion may not apply to you. This warranty gives you specific legal rights and you may also have other legal rights, which vary from state to state.