



ABOUT THE SUB-ZERO MICROBIOLOGICAL WATER FILTRATION SYSTEM


WHEN TO REPLACE THE FILTER CARTRIDGE

The water filter cartridge is rated for 235 gallons (890 L) or one year, whichever comes first. The electronic control system monitors the life of the water filter cartridge and indicates when it needs to be replaced. When it is time to replace the water filter cartridge, the  indicator will be visible in the control center display panel of the refrigerator.

Although it is designed to last for up to one year of use, the actual life of the filter cartridge may vary with water supply conditions. Therefore, it is recommended that the filter cartridge be replaced when the  indicator is displayed, if the ice cubes become hollow or smaller, or if the water flow from the dispenser has slowed significantly.

CHANGING THE WATER FILTER CARTRIDGE

- 1) Lift the grille assembly to access the water filter. To lift the grille, pull out on the bottom edge of the grille and tilt the grille frame forward.
- 2) To remove the old filter cartridge, simply push the cartridge in and then pull it out. There will be water in the filter cartridge, so it is normal for a small amount of water to spill out. Refer to the illustration below.
- 3) Remove the new filter cartridge from its packaging and carefully remove the caps.
- 4) Line up the cartridge so that the locking tabs can be inserted into the filter head.
- 5) Push the new cartridge in until you hear a click. The new cartridge is securely installed if it cannot be removed by pulling on it slightly.

6) Once the filter cartridge has been replaced, press and hold the filter reset button for 5 seconds in order to reset the water filter life monitor. The filter life monitor has been successfully reset if the  indicator is no longer displayed in the control center display panel. Refer to the illustration below for the location of the filter reset button.

7) For non-dispenser models, the first two full buckets of ice produced should be discarded after the new filter cartridge has been installed. Allow 24 hours before discarding the first bucket of ice. For dispenser models, dispense several glasses of water for a period of 2 minutes. This will help clean the water system and clear air from the line.

IMPORTANT NOTE: To avoid excessive water from spilling out of the filter, a new cartridge should not be removed for at least 48 hours. Air initially trapped in a new cartridge may cause extra water spillage from the filter until it is allowed to be fully purged.

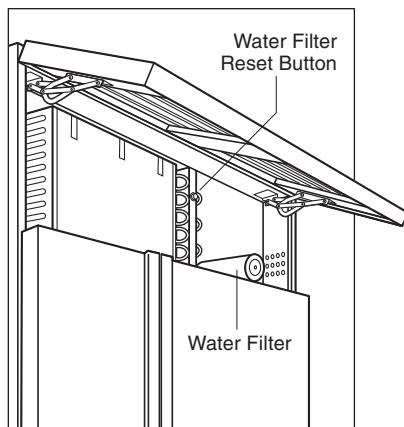
WATER FILTER BYPASS MODE

If you do not wish to use the factory installed water filter, the system can be placed in water filter bypass mode. A separate bypass plug (part #7011209) is required and is available by contacting Sub-Zero at 800-222-7820.

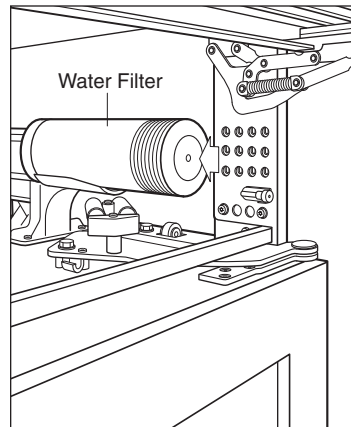
IMPORTANT NOTE: In some cases, a reverse osmosis water filter system may not be able to maintain the minimum water pressure needed for the refrigerator water filter to operate properly. In these cases, it is recommended that a water filter bypass plug be used.

REPLACEMENT WATER FILTER CARTRIDGES

Replacement water filter cartridges can be ordered by calling 800-222-7820 or online at subzerowolfstore.com or subzero.com. The replacement cartridge part number is 7023811.



Water filter location.



Water filter cartridge removal.

WATER FILTRATION SYSTEM PERFORMANCE DATA SHEET

SUB-ZERO MICROBIOLOGICAL WATER FILTER (REPLACEMENT CARTRIDGE #7023811)

IMPORTANT NOTICE: Read this Performance Data Sheet carefully and compare the capabilities of this unit with your actual water treatment needs. It is recommended that, before purchasing a water treatment unit, you have your water supply tested to determine your actual water treatment needs.



Tested and certified by NSF International against NSF/ANSI Standard 42 for the reduction of Chlorine Taste & Odor, Nominal Particulate, Class I; and against NSF/ANSI Standard 53 for the reduction of Asbestos, Lead, Mercury, Toxaphene, Turbidity and VOCs.

This system has been tested according to NSF/ANSI 42/53 for reduction of the substances listed below. The concentration of the indicated substances in water entering the system was reduced to a concentration less than or equal to the permissible limit for water leaving the system, as specified in NSF/ANSI 42/53.

Substance	NSF Standard	Influent Challenge Concentration	Average Influent Concentration	Product Water Concentration		% Reduction		Max. Permissible Product Water Concentration
				Average	Max. Effluent	Average	Minimum	
Chlorine, Taste & Odor	42	2.0 mg/L ± 10%	2.03 mg/L	0.05 mg/L	0.05 mg/L	>97.5%	>97.5%	≥ 50%
Particulate, Class I (0.5 to <1 micron)	42	At least 10,000 particles/ml	20,000,000/ml	1,613/ml	2,900/ml	>99.9%	>99.9%	≥ 85%
Asbestos	53	10 ⁷ to 10 ⁸ fibers/L†	83 MF/L	<0.17 MF/L	<0.17 MF/L	>99%	>99%	99%
Lead at pH 6.5	53	0.15 mg/L ± 10%	0.148 mg/L	0.001 mg/L	0.001 mg/L	99.3%	99.3%	0.010 mg/L
Lead at pH 8.5	53	0.15 mg/L ± 10%	0.148 mg/L	0.001 mg/L	0.001 mg/L	96.6%	95.0%	0.010 mg/L
Mercury at pH 6.5	53	0.006 mg/L ± 10%	0.006 mg/L	<0.0002 mg/L	<0.0002 mg/L	96.1%	93.0%	0.002 mg/L
Mercury at pH 8.5	53	0.006 mg/L ± 10%	0.006 mg/L	<0.0002 mg/L	<0.0002 mg/L	96.6%	95.0%	0.002 mg/L
Toxaphene	53	0.015 mg/L ± 10%	0.015 mg/L	<0.001 mg/L	<0.001 mg/L	93.3%	93.0%	0.003 mg/L
Turbidity	53	11 ± 1 NTU	11.8 NTU	0.14 NTU	0.20 NTU	98.8%	98.3%	0.5 NTU
VOC*	53	300 ± 30 µg/L	301 µg/L	1.2 µg/L	8.7 µg/L	99.4%	98.2%	≥ 95%

General test water parameters: pH = 7.5±0.5; Temp = 68±5 °F (20±3 °C); Pressure = 60 psi (4.1 bar) @ 0.5 gpm (1.9 Lpm)
 *Refer to table on following page for organic chemicals included by VOC surrogate testing; † Fibers greater than 10 µm in length

OPERATING SPECIFICATIONS

Capacity: 235 gallons (890 L); up to twelve months
 Water Supply: Cold water only
 Pressure Requirement: 30 – 100 psi (2.1 – 6.9 bar)
 Temperature: 33 – 100°F (0.6 – 38°C)
 Flow Rate: 0.5 gpm (1.9 Lpm)

Cyst, virus and bacteria reduction tested by BioVir Labs and approved by the California Department of Public Health, per the certificate following this data sheet.

Substance	Log Reduction	% Reduction
Cyst	3.5	99.95%
Virus	4	99.99%
Bacteria	6	99.9999%

SYSTEM OPERATION & REPLACEMENT FILTER INFORMATION

- Use replacement water filter cartridge part number 7023811, which can be ordered by calling 800-222-7820 or online at subzerowolfstore.com or subzero.com. Replacement filter pricing information can be found at subzerowolfstore.com or subzero.com.
- Replace water filter cartridge when the filter life indicator is displayed, or if the ice cubes become hollow or small, or when the water flow has slowed significantly.
- Change filter cartridge at least every twelve months. High sediment areas may require more frequent filter cartridge replacement.
- This filter system must be installed, operated, maintained and filters replaced as required in order for the product to perform as advertised. Complete installation and operation instructions, parts and service availability, and standard warranty are included with the product when shipped.

SPECIAL NOTES

- Do not use for the treatment of water that is visually contaminated (cloudy) or has an obvious contamination source, such as contamination by raw sewage. State of Wisconsin Required Statement: Do not use in Wisconsin with water that is microbiologically unsafe, or of unknown quality, without adequate point-of-entry (i.e. whole house) disinfection before this device.
- Note that while the testing was performed under standard laboratory conditions, actual performance of this water filter system may vary based on local water conditions. In addition, the contaminants or other substances removed or reduced by this water filter are not necessarily in all users' water.
- This filter contains silver as a preservative.
- This filter system is protected by U.S. Patent Nos. 6,630,016; 6,660,172; 6,770,204; 6,835,311; 6,866,704; applicable foreign patents; and patents pending.
- U.S. EPA Est. No. 69625-CT-001

DISCLAIMER: The performance claims of this product are rated for service only up to the gallon capacity limit designated on the Manufacturer's Performance Data Sheet. No expectation for performance shall survive such limit, and use of this product should be discontinued after such limit is reached. Use of this product constitutes Buyer's understanding and acceptance of this Disclaimer.

Manufactured for: Sub-Zero, Inc., PO Box 44130, Madison, WI 53744-4130. Phone: (800) 222-7820

WATER FILTRATION SYSTEM PERFORMANCE DATA SHEET

ORGANIC CHEMICALS INCLUDED BY VOC SURROGATE TESTING

Substance	Influent Challenge Concentration (mg/L)	Chemical Reduction Percent	Max. Permissible Product Water Concentration (mg/L)
alachlor	0.050	>98	0.001
atrazine	0.100	>97	0.003
benzene	0.081	>99	0.001
carbofuran	0.190	>99	0.001
carbon tetrachloride	0.078	98	0.0018
chlorobenzene	0.077	>99	0.001
chloropicrin	0.015	99	0.0002
2,4-D	0.110	98	0.0017
dibromochloropropane (DBCP)	0.052	>99	0.00002
o-dichlorobenzene	0.080	>99	0.001
p-dichlorobenzene	0.040	>98	0.001
1,2-dichloroethane	0.088	95	0.0048
1,1-dichloroethylene	0.083	>99	0.001
cis-1,2-dichloroethylene	0.170	>99	0.0005
trans-1,2-dichloroethylene	0.086	>99	0.001
1,2-dichloropropane	0.080	>99	0.001
cis-1,3-dichloropropylene	0.079	>99	0.001
dinoseb	0.170	99	0.0002
endrin	0.053	99	0.00059
ethylbenzene	0.088	>99	0.001
ethylene dibromide (EDB)	0.044	>99	0.00002
haloacetonitriles (HAN):			
bromochloroacetonitrile	0.022	98	0.0005
dibromoacetonitrile	0.024	98	0.0006
dichloroacetonitrile	0.0096	98	0.0002
trichloroacetonitrile	0.015	98	0.0003
halo ketones (HK):			
1,1-dichloro-2-propanone	0.0072	99	0.0001
1,1,1-trichloro-2-propanone	0.0082	96	0.0003
heptachlor (H-34, Heptox)	0.080	>99	0.0004
heptachlor epoxide	0.0107	98	0.0002
hexachlorobutadiene	0.044	>98	0.001
hexachlorocyclopentadiene	0.060	>99	0.000002
lindane	0.055	>99	0.00001
methoxychlor	0.050	>99	0.0001
pentachlorophenol	0.096	>99	0.001
simazine	0.120	>97	0.004
styrene	0.150	>99	0.0005
1,1,2,2-tetrachloroethane	0.081	>99	0.001
tetrachloroethylene	0.081	>99	0.001
toluene	0.078	>99	0.001
2,4,5-TP (silvex)	0.270	99	0.0016
tribromoacetic acid	0.042	>98	0.001
1,2,4-trichlorobenzene	0.160	>99	0.0005
1,1,1-trichloroethane	0.084	95	0.0046
1,1,2-trichloroethane	0.150	>99	0.0005
trichloroethylene	0.180	>99	0.001
trihalomethanes (includes):			
chloroform (surrogate chemical)			
bromoform	0.300	95	0.015
bromodichloromethane			
chlorodibromomethane			
xylenes (total)	0.070	>99	0.001