

7004855 Partial Framed Panel Kit

⚠ CAUTION

Panels may have sharp edges which could inflict serious personal injury. Use care when handling.

NOTE: With stainless steel panels, the white protective tape must be removed from front of panel before installing.

| CONTAINS: | QTY | DESCRIPTION |
|------------------|------------|-------------------------------|
| | 1 | Refrigerator Partial Panel |
| | 1 | Framed Transition Trim |
| | 7 | Screws, #10-12 x 1/2 Truss HD |
| | 1 | Instructions |

PROCEDURE:

1. Remove glasswell grille, dispenser control panel and the dispenser bezel from door (See Figure 3).
2. Remove screw cover by inserting a flat blade screwdriver into channel of screw cover and push cover towards the back, disengaging it from handle / handle-side trim (See Figure 1).
3. With a T-20, 6-lobe Torx type bit, extract handle / handle-side trim mounting screws and pull trim from the door (See Figure 2).
4. Install decorative refrigerator door panel onto door (See Figure 3).
5. Remove blue laser film from transition trim, then attach transition trim to door using the #10-12 x 1/2 truss head screws included in this package.
6. Remove white laser film from partial panel, then install partial panel with enclosed chipboard behind the partial panel.
7. Reinstall door handle / handle-side trim and screw cover.
8. Reinstall bezel, dispenser control panel and glasswell grille.

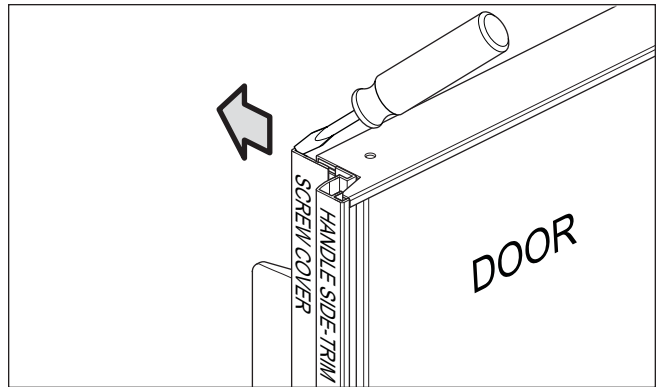


Figure 1. Screw Cover Removal

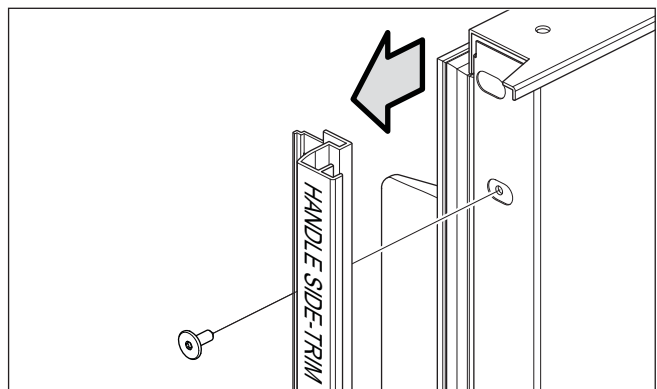


Figure 2. Handle / Handle-Side Trim Removal

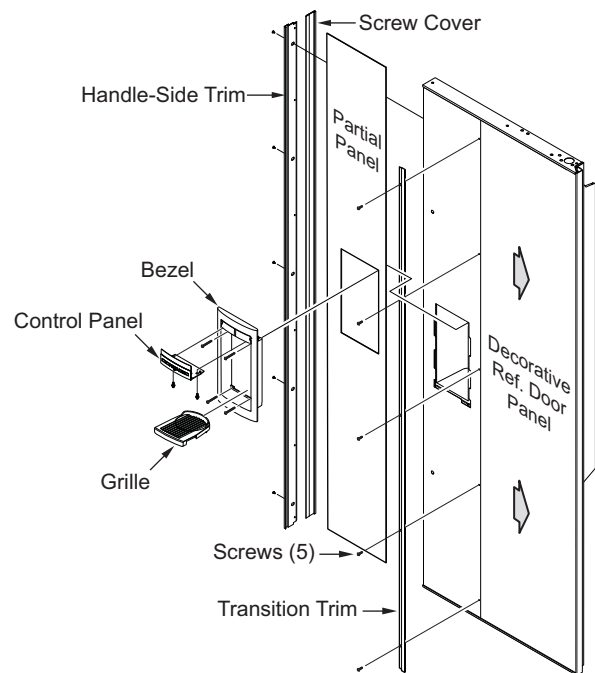


Figure 3. Overall View of Accessory Kit

