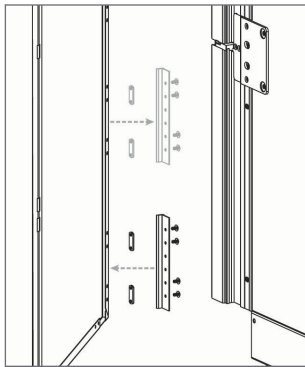


CONTENTS

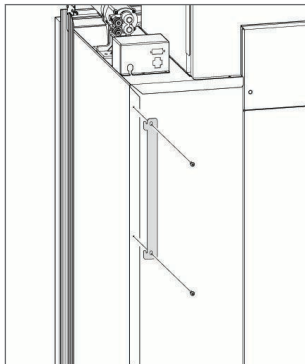
1	Panel, side
2	Bracket, rear
6	Screw, #10 x 3/4"
1	Cover, base

CLASSIC SERIES STAINLESS SIDE PANEL INSTALLATION

- For over-and-under models only, move the lower front bracket to the bottom position to avoid interference with the hinge plate.

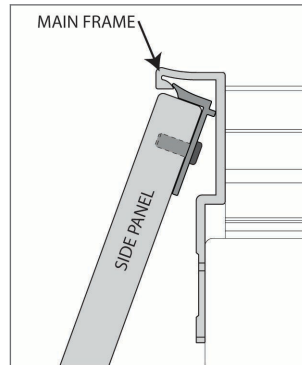


- Install the upper and lower rear brackets with the provided screws. Verify the bracket hooks face upward.



- Install the base cover on the base support assembly.

- Place the front of the side panel into the mainframe.



- Rotate the back of the panel toward the unit, then shift the panel downward so the bracket hooks engage the side panel.

