



4200470

## D-Style Handle

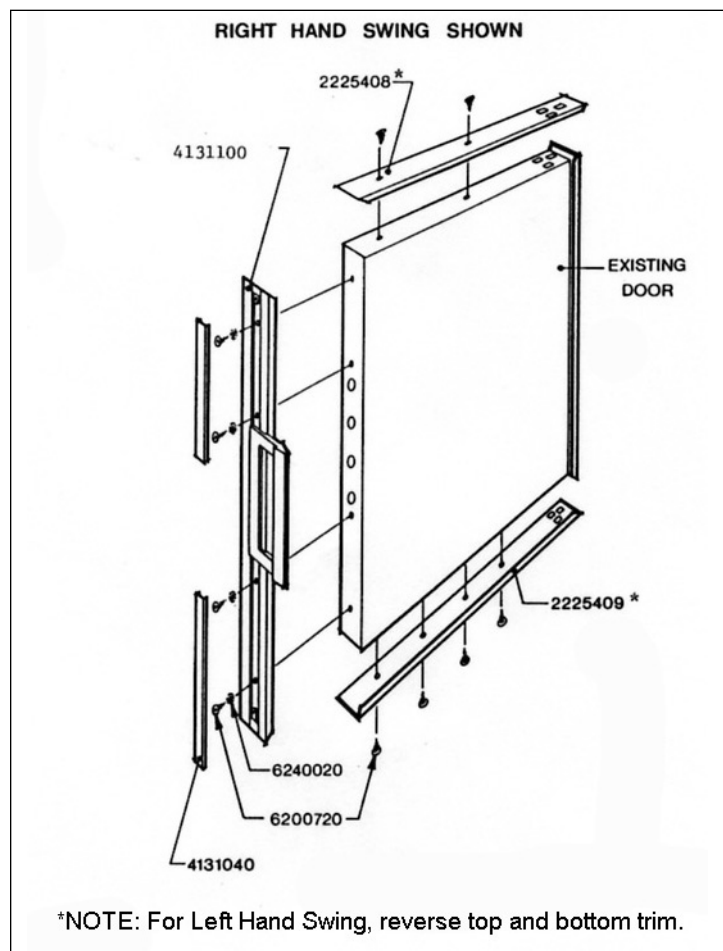
**Note: To be used on model 550 AFTER Serial # 606441**

**CONTAINS :**

<u>QUALITY</u>	<u>DESCRIPTION</u>
1	Door Handle Assembly
2	Handle Molding
1	Door Trim, Top RH
1	Door Trim, Bottom RH
12	Screw, #8x Finish Head
4	Star Washer, #10
1	Instruction Sheet

**PROCEDURE:**

1. Remove door from unit.
2. Remove top trim, bottom trim and handle from door. Handle is removed by first removing handle molding, using piece of adhesive tape to pull molding away from handle midway between ends and disengage ends of molding.
3. Attach all three extrusions to door (see figure 1). Be sure star washers are used under screws holding handle trim extrusion to door. Before tightening trim screws, adjust trim pieces for best appearance. Outside corners of trim may need touch-up with file.
4. Remount door on unit. Adjust for optimum fit.
5. Attach handle moldings to door by inserting one end under handle casting and allowing magnets to hold molding in groove in trim extrusion.



**Figure 1**