

PANEL INSTALLATION

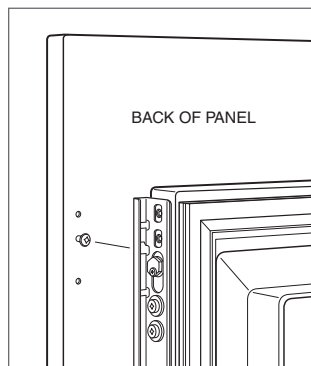
⚠ CAUTION

As the reveal between cabinets and the unit decreases, the potential exists for severe finger pinching if fingers are placed in the opening when the door is closing.

For tall models, the door panel should be installed first, followed by the upper then lower drawer panel.

Panel installation:

- 1 Place the panel face down on a protected work surface.
- 2 Use a Torx drive to partially insert a #8 x 1/2" screw into the second hole from the top on each side of the panel. The screws should be approximately 3/16" (4) proud of the panel and will support the weight of the panel during installation.
- 3 Align the support screws with the slotted holes on the mounting brackets. Refer to the illustration below. Opening the door/drawers slightly may help with alignment.
- 4 Once the panel is supported by the screws, partially insert a #8 x 1/2" screw into the second hole from the bottom on each side of the panel, but do not tighten.



Panel mounting.

PANEL ALIGNMENT

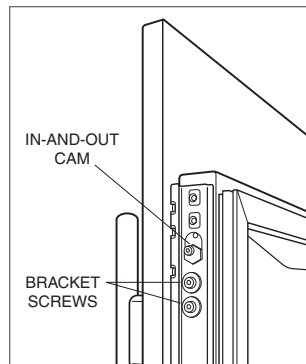
After panels have been mounted, make adjustments to align the panels.

Side-to-side adjustment:

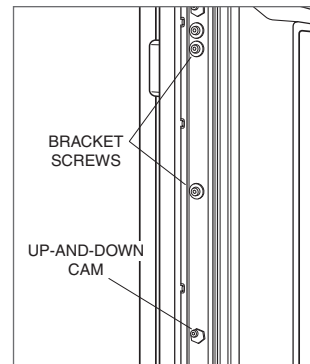
- 1 Close the door/drawers.
- 2 Move the panels side-to-side until proper alignment is achieved.
- 3 Open the door/drawers, then install and tighten all of the panel mounting screws.

In-and-out and up-and-down adjustment:

- 1 Open the door/drawers.
- 2 Slightly loosen all of the bracket screws. Refer to the illustrations below.
- 3 Use a wrench to rotate the cams to make adjustments.
- 4 Once proper alignment is achieved, tighten all of the bracket screws.



In-and-out adjustment.



Up-and-down adjustment.

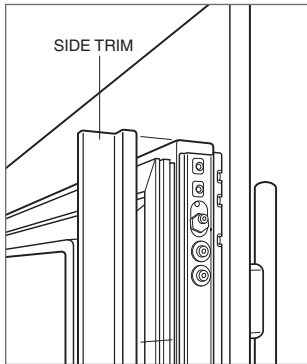


TRIM INSTALLATION

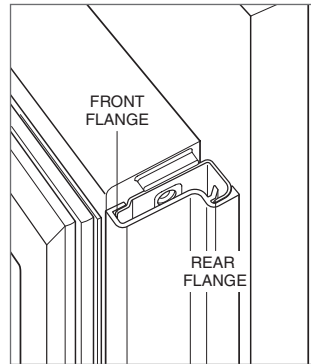
After panels have been adjusted, install the side trim to the door/drawers.

Install side trim:

- 1 Start at the top and align the trim with the front and rear flanges on the bracket, then snap into place by pushing the trim toward the back of the panel. Refer to the illustrations below.
- 2 Once the top is secure, continue the installation downward until the remaining trim is completely secure.



Side trim.

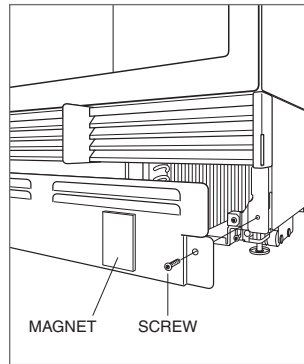


Bracket flanges.

KICKPLATE INSTALLATION

Stainless steel or decorative kickplate installation:

- 1 Remove the paper backing from the magnets on the factory kickplate. Refer to the illustration below.
- 2 Attach the kickplate to the magnets.



Kickplate installation.