

**TALL HEATER CONTENTS**

- 2 Two-Hole Steel Bracket
- 1 Center Molding Assembly
- 1 Dual Unit-Heater Assembly
- 6 Screws, #8-32 x 1/2 Self Tapping
- 1 1/2" Heyco Bushing
- 1 501/601 Y-Harness
- 1 Condenser Fan Y-Harness
- 1 Dual Heater Jumper
- 1 Plastic Cord Clip
- 1 4-Prong Connector
- 4 Screws, # 8-18 x 1/2 Ph Truss Hd

**BASE HEATER CONTENTS**

- 2 Bracket (Refrigerator to Counter Top)
- 2 Two-Hole Steel Bracket
- 1 Center Molding Assembly
- 6 Dual Unit-Heater Assembly
- 1 Screws, #8-32 x 1/2 Self Tapping
- 1 1/2" Heyco Bushing
- 1 4-Prong Connector
- 4 Screws, # 8-18 x 1/2 Ph Truss Hd

**▲ WARNING**

**TO AVOID ELECTRICAL SHOCK, DISCONNECT ELECTRICAL POWER TO UNIT BEFORE ATTEMPTING THIS REPAIR.**

**▲ CAUTION**

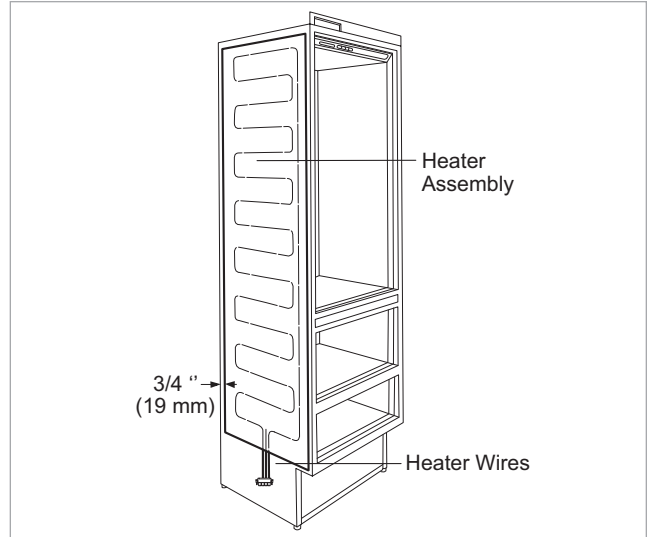
Sheet metal parts of heater assembly may have sharp edges!

**NOTES:**

- 700 Tall or IC-27 units use the tall heater when two or more are side by side less than 2" (51mm) apart. Attach heater to left side of unit installed in right side of installation.
- 500 or 600 Series units use the tall heater when two or more are side by side less than 2" (51mm) apart or if a single unit has condensation on outside walls due to humidity. See pages 2 and 3 for details.
- 700 Base units use the base heater when two or more are side by side less than 2" (51mm) apart. See pages 4 and 5 for details.

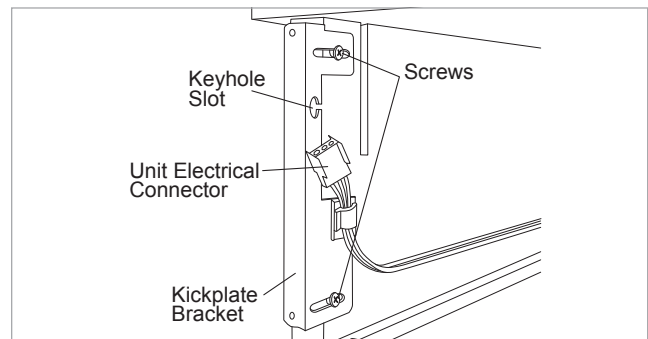
**INSTALLATION ON 700TALL OR IC-27 SERIES**

- 1 Clear foil from mounting holes of heater assembly.
- 2 Place heater assembly against left side of unit installed in right side of installation, 3/4" (19 mm) from back of unit; 1" (25 mm) from top. Using heater as a template, mark location of mounting holes .



Position Heater and Mark Mounting Holes

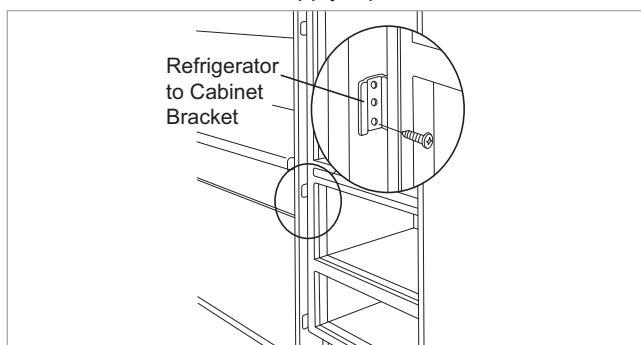
- 3 Drill 7/64" (3 mm) hole at each location marked.  
*NOTE: Only drill through outer shell. Do not allow drill bit to penetrate inner liner.*
- 4 Attach heater assembly to cabinet using the four # 8-32 x 1/2 self tapping screws, inserting them through heater assembly and into drilled holes.
- 5 At unit base, loosen left kickplate bracket mounting screws and pull bracket forward; pass heater wires through slot behind bracket, then place 1/2" Heyco bushing around wires and into keyhole slot to protect wires from sharp edges.



Left Kickplate Bracket



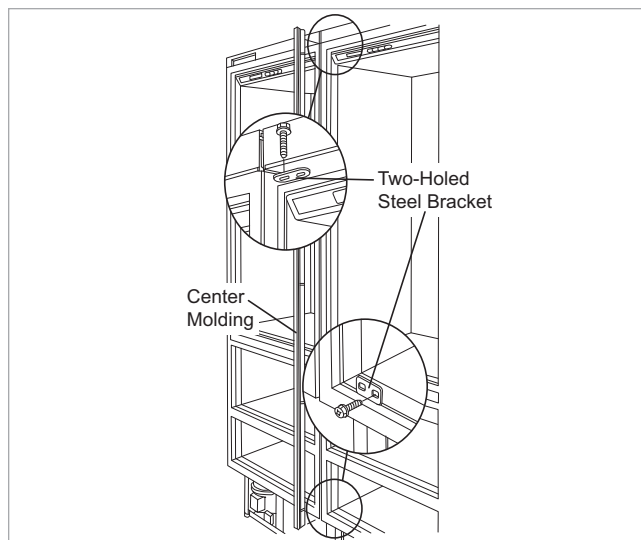
- 6 Insert 4-prong male connector into unit's female connector, then insert wires into male connector, matching wire colors as described: one black to grey (or purple), other black to white and green to green.
- 7 If units will be installed more than 1/4" (6 mm) apart, then center molding and brackets are not used. Refer to installation guide to finish. If units will be installed 1/4" (6 mm) apart, then follow steps below.
- 8 Remove refrigerator to cabinet brackets from adjoining sides of each unit and apply tape over the screw holes.



Remove Refrigerator to Cabinet Brackets

- 9 Install and level units as described in installation manual.
- 10 Using two-hole steel brackets and existing screws, secure the two units together at top and at base.
 

**NOTE:** 700 Tall units installed next to a 736 use the Z-shaped bracket at the top of the units.
- 11 Insert center molding assembly between the two units.
- 12 Reinstall the kickplate/grilles.



Two-Hole Steel Brackets and Center Molding

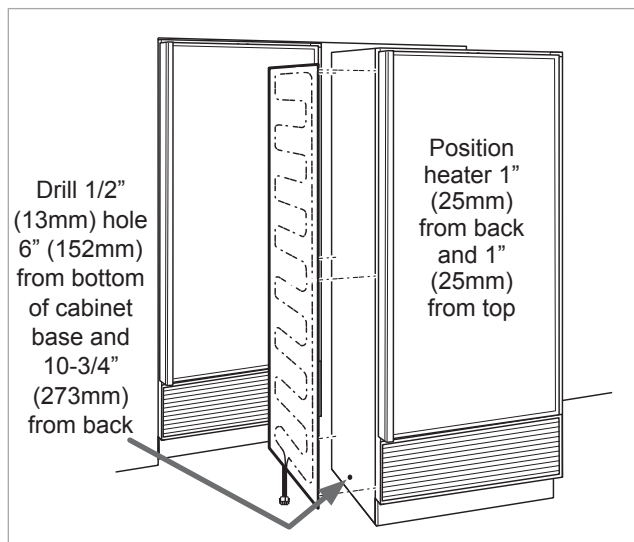
**INSTALLATION ON MODELS 501R, 501F, 601R, 601F**

**NOTE:** Pull unit from installation and remove grille before proceeding.

- 1 Drill a 1/2" (13 mm) hole into side of unit 6" (152 mm) from bottom of cabinet base and 10-3/4" (273 mm) from back edge of cabinet.
- 2 Insert 1/2" Heyco bushing into 1/2" (13 mm) hole.
- 3 Clear foil from mounting holes of heater assembly.
- 4 With wire leads at the bottom, place heater assembly against side of unit, 1" (25 mm) from back of unit; 1" (25 mm) from top. Using heater as a template, mark location of mounting holes .
- 5 Drill 7/64" (3 mm) hole at each location marked.

**NOTE:** Only drill through outer shell. Do not allow drill bit to penetrate inner liner.

- 6 Attach heater assembly to cabinet using the four # 8-32 x 1/2 self tapping screws, inserting them through heater assembly and into drilled holes.



Heater Application and Wiring Hole

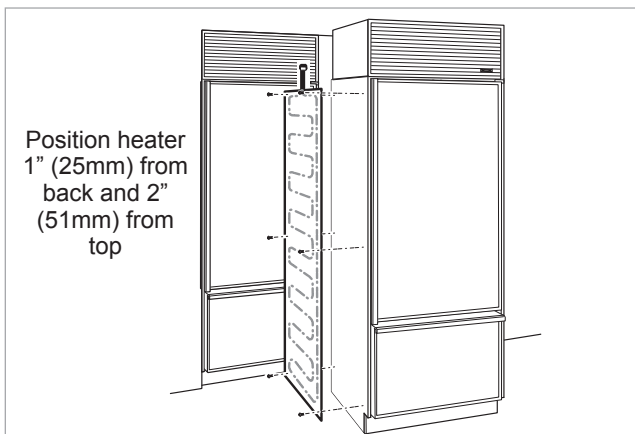
- 7 Insert heater wires and clear tubing through 1/2" Heyco bushing mentioned in step 2.
- 8 Unplug compressor harness male plug from light and fan switch enclosure
- 9 Insert male 3-prong plug of 501/601 Y-harness into switch enclosure. (See next page for picture of Y-harness)
- 10 Connect compressor harness to 3-prong female plug of 501/601 Y-harness.

- 11 Insert 4-prong male connector into 4-prong female connector of 501/601 Y-harness, then insert wires into male connector, matching wire colors as described: one black to grey (or purple), other black to white and green to green.
- 12 Use plastic cord clip to hold harness away from condenser fan blade.
- 13 Reinstall unit and replace grille.

INSTALLATION ON MODELS 511, 550, 542, 561, 532, 590, 611, 650, 642, 632, 680 & 690

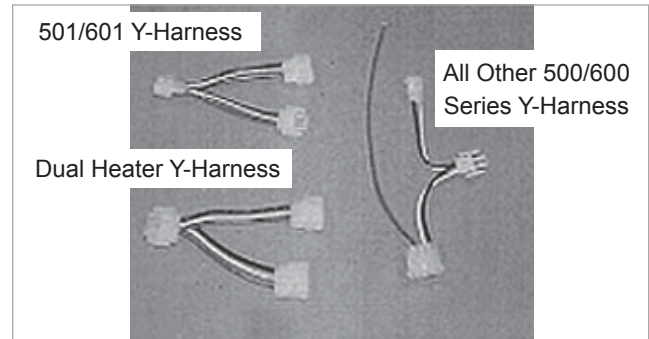
**NOTE:** Pull unit from installation and remove grille before proceeding.

- 1 Clear foil from mounting holes of heater assembly.
- 2 With wire leads at the top, place heater assembly against side of unit, 2" (51 mm) from back of unit; 1" (25 mm) from top. Using heater as a template, mark location of mounting holes .
- 3 Drill 7/64" (3 mm) hole at each location just marked.  
*NOTE: Only drill through outer shell. Do not allow drill bit to penetrate inner liner.*
- 4 Attach heater assembly to cabinet using the four # 8-32 x 1/2 self tapping screws, inserting them through heater assembly and into holes just drilled.



Heater Application

- 5 Extract compressor shroud mounting screws and remove shroud.
- 6 Unplug condenser fan motor and connect 2-prong male plug of fan motor into 2-prong female plug of Y-harness.

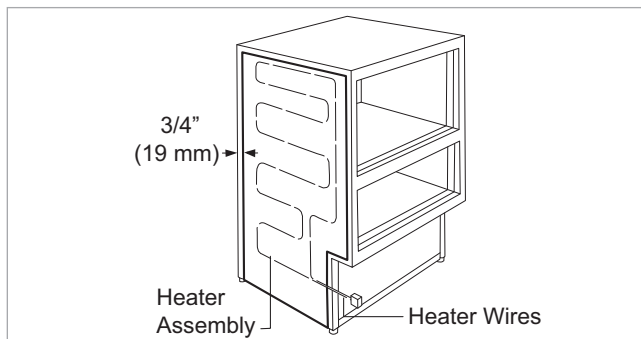


Y-Harnesses

- 7 Connect 2-prong male plug of Y-harness into fan power source.
- 8 Attach Y-harness ground wire with ground screw.
- 9 Route heater harness through gap in bottom front of unit shroud.
- 9 Insert 4-prong male connector into 4-prong female connector of Y-harness, then insert wires into male connector, matching wire colors as described: one black to grey (or purple), other black to white and green to green.
- 10 Use plastic cord clip to hold harness away from condenser fan blade.
- 11 Reinstall compressor shroud.
- 12 Reinstall unit and replace grille.

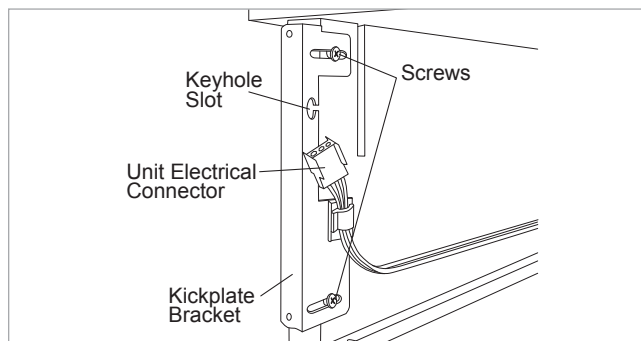
**INSTALLATION ON 700BASE MODELS**

- 1 Clear foil from mounting holes of heater assembly.
- 2 Place heater assembly against left side of unit installed in right side of installation, 3/4" (19 mm) from back of unit; 1" (25 mm) from top. Then, using heater as a template, mark location of mounting holes .



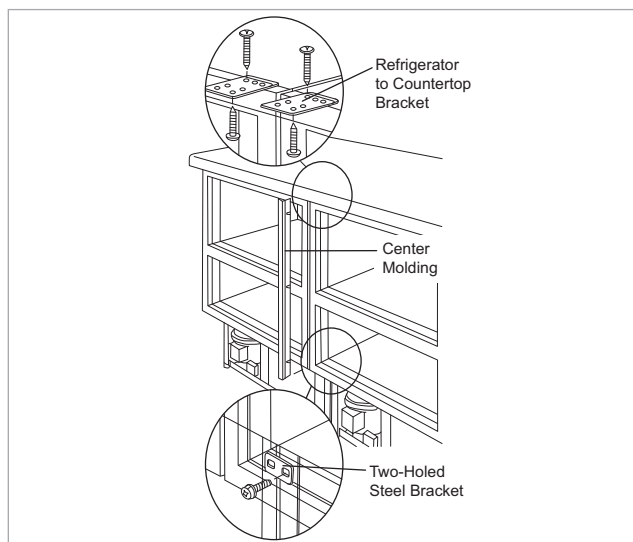
Position Heater and Mark Mounting Holes

- 3 Drill 7/64" (3 mm) hole at each location just marked.  
*NOTE: Only drill through outer shell. Do not allow drill bit to penetrate inner liner.*
- 4 Attach heater assembly to cabinet using the four # 8-32 x 1/2 self tapping screws, inserting them through heater assembly and into holes just drilled.
- 5 At unit base, loosen left kickplate bracket mounting screws and pull bracket forward; pass heater wires through slot behind bracket, then place 1/2" Heyco bushing around wires and into keyhole slot to protect wires from sharp edges.



Left Kickplate Bracket

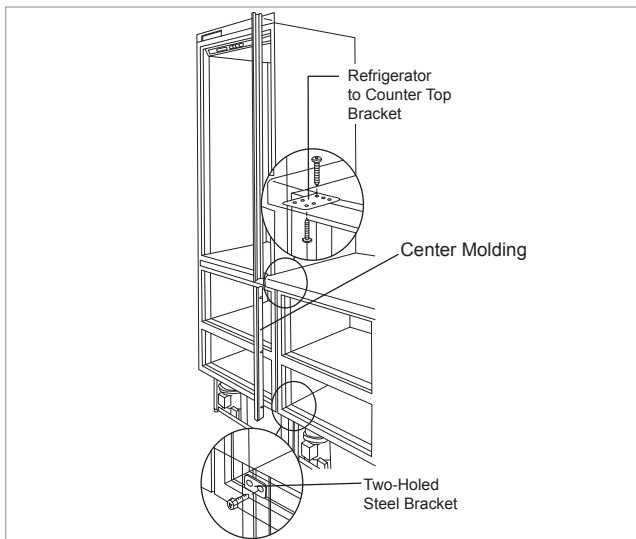
- 6 Insert 4-prong male connector into unit's female connector, then insert wires into male connector, matching wire colors as described: one black to grey (or purple), other black to white and green to green.
- 7 If units are installed more than 1/4" (6 mm) from each other, then center molding and brackets are not used. Refer to installation guide to finish. If units are installed 1/4" (6 mm) apart, follow steps below.
- 8 To install a base unit next to another base unit remove refrigerator to cabinet brackets from adjoining sides of each unit and apply tape over the screw holes.



Base Unit Next to Base Unit Installation  
Remove Refrigerator to Cabinet Brackets

- 9 Install and level units as described in installation manual.
- 10 Using two-hole steel brackets and existing screws, secure the two units together at base.
- 11 Secure units to counter top with # 8-18 x 1/2 Ph Truss Hd screws inserted through refrigerator to counter top brackets and into underside of counter top.
- 12 Insert center molding assembly between the two units.
- 13 Reinstall the kickplate/grilles.

- 14 To install a base unit next to tall unit remove refrigerator to cabinet brackets from adjoining sides of the base unit, but only the two lower refrigerator to cabinet brackets from adjoining side of tall unit. Apply tape over screw holes.



Base Unit Next to Tall Unit Installation

Remove Refrigerator to Cabinet Brackets

- 15 Install and level units as described in installation manual.
- 16 Using two-hole steel brackets and existing screws, secure the two units together at base.
- 17 Secure base unit to counter top with # 8-18 x 1/2 Ph Truss Hd screws inserted through refrigerator to counter top brackets and into underside of counter top.
- 18 Insert center molding assembly between the two units.
- 19 With a hacksaw, cut tall unit's adjoining side-molding to length above counter top, then install on tall unit.
- 20 Reinstall the kickplate/grilles.