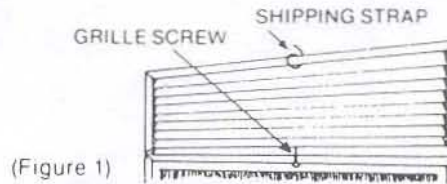


STEP 1 After uncrating unit, remove wood base and discard the shipping bolts (except undercounter models—shipping bolts are the leveling legs) which secured the wood base to bottom of unit.

STEP 2 Remove all packaging materials and tape.

STEP 3 Loosen electrical cord. To achieve this on all combination models, remove grille by cutting nylon shipping strap and removing center grille screw. Refer to Fig. 1. On all other models, the cord is simply located on rear of unit.

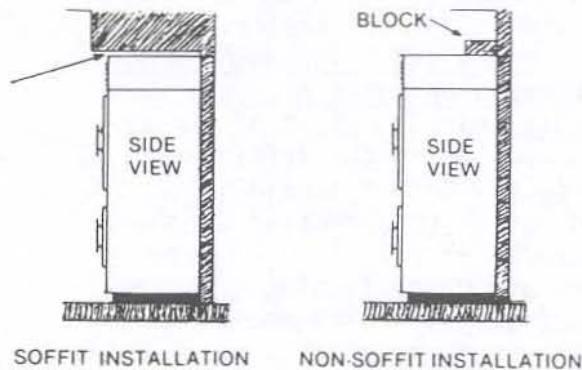


STEP 4 For units with automatic icemaker, refer to detail Fig. A ICEMAKER & PLUMBING.

STEP 5 **▲WARNING** To prevent unit from tipping forward under certain load conditions and insure a stable installation we recommend installing a block to the back wall as illustrated. We also recommend the floor under the refrigerator be at the same level as the surrounding floor.

(Figure 2)

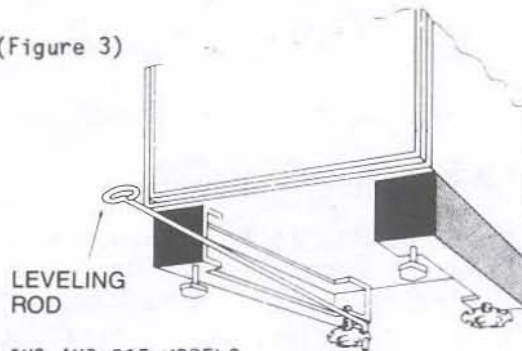
Blocking not required if units fit under soffit with clearance between top of unit and soffit of 1" or less.



STEP 6 Plug into 15 amp grounded outlet, refer to detail Fig. B ELECTRICAL for electrical requirements. Slide unit into desired position. Refer to Fig. E, SCHEMATIC DRAWING for rough opening dimensions.

STEP 7 Level unit: To raise, turn levelers clockwise—to lower, turn levelers counter-clockwise using an adjustable wrench or pliers. A leveling tool is provided for the rear levelers. (leveling tool not required for undercounter models. Refer to diagram (Fig. 3).

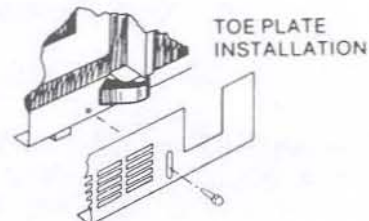
(Figure 3)



ALL BUILT-INS AND 215 MODELS

STEP 8 Install Toe Plate. See diagram (Fig. 4).

CAUTION: Do not block toe plate louvers with carpeting, baseboard or other materials.



(Figure 4)

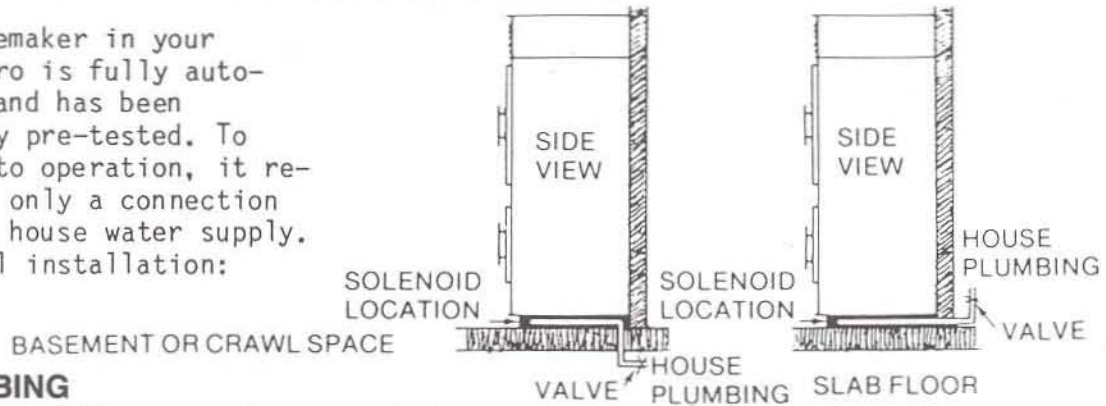
STEP 9 **IMPORTANT:** Replace center grille screw removed in step "3".

STEP 10 Apply decorative front panels (and side panels, if applicable). Refer to detail Fig. C PANEL INSTALLATION.

STEP 11 It is possible that doors may become out of adjustment in shipment. If doors need readjustment, please refer to detail Fig. D HINGE ADJUSTMENT. **IMPORTANT:** For proper operation and use, the door must open a full 90 degrees. A 2" filler should be used in corner installations to assure a 90 degree door opening. Remember to allow enough clearance in front of unit for full door swing. **IMPORTANT:** Minimum 1" filler recommended when 201 models installed hinge to hinge.

Figure A. ICEMAKER & PLUMBING

The icemaker in your Sub-Zero is fully automatic and has been factory pre-tested. To put into operation, it requires only a connection to the house water supply. Typical installation:



PLUMBING

Connect a 1/4" copper line to the house supply, being sure to use a valve between the supply and your refrigerator.

Note: Do not use a "self-piercing" valve.

Icemaker operates on water pressure of 20 to 100 PSI. Coil four feet of copper line for connection to the refrigerator. (Refer to Fig. E) Slip solenoid valve compression nut on copper tubing as shown in diagram and tighten. Turn on water supply valve and check fitting to solenoid. Note: A line filter is recommended when water conditions have a high mineral content.

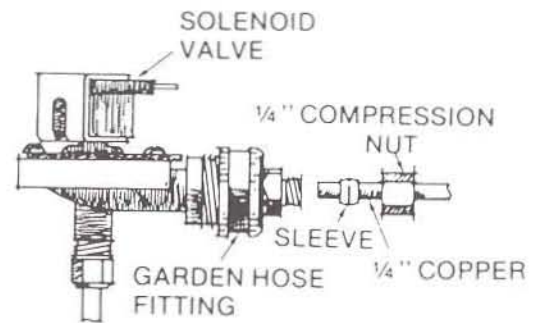
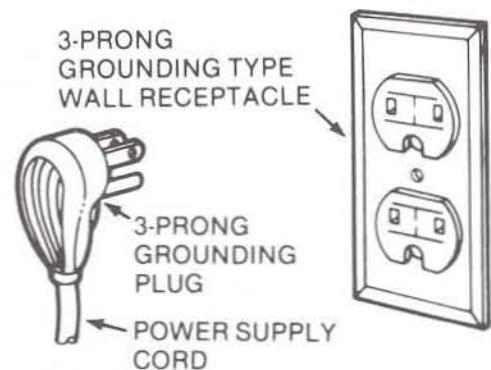


Figure B. ELECTRICAL

A 115 volt, 60 Hz, 15 amp fused electrical supply is required (time delay fuse or circuit breaker is recommended.) It is recommended that a separate circuit, serving only this appliance, be provided. DO NOT use an extension cord.

ELECTRICAL GROUND IS REQUIRED ON THIS APPLIANCE.

This appliance is factory equipped with a power supply cord with a 3-prong grounding plug. It must be plugged into a mating 3-prong grounding type wall receptacle grounded in accordance with the National Electrical Code and local codes and ordinances.



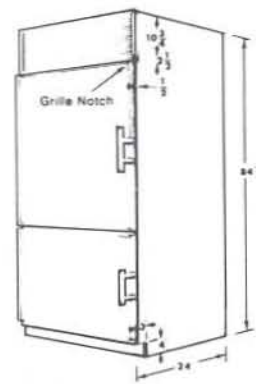
WARNING

DO NOT UNDER ANY CIRCUMSTANCES, REMOVE THE POWER SUPPLY CORD GROUND PRONG.

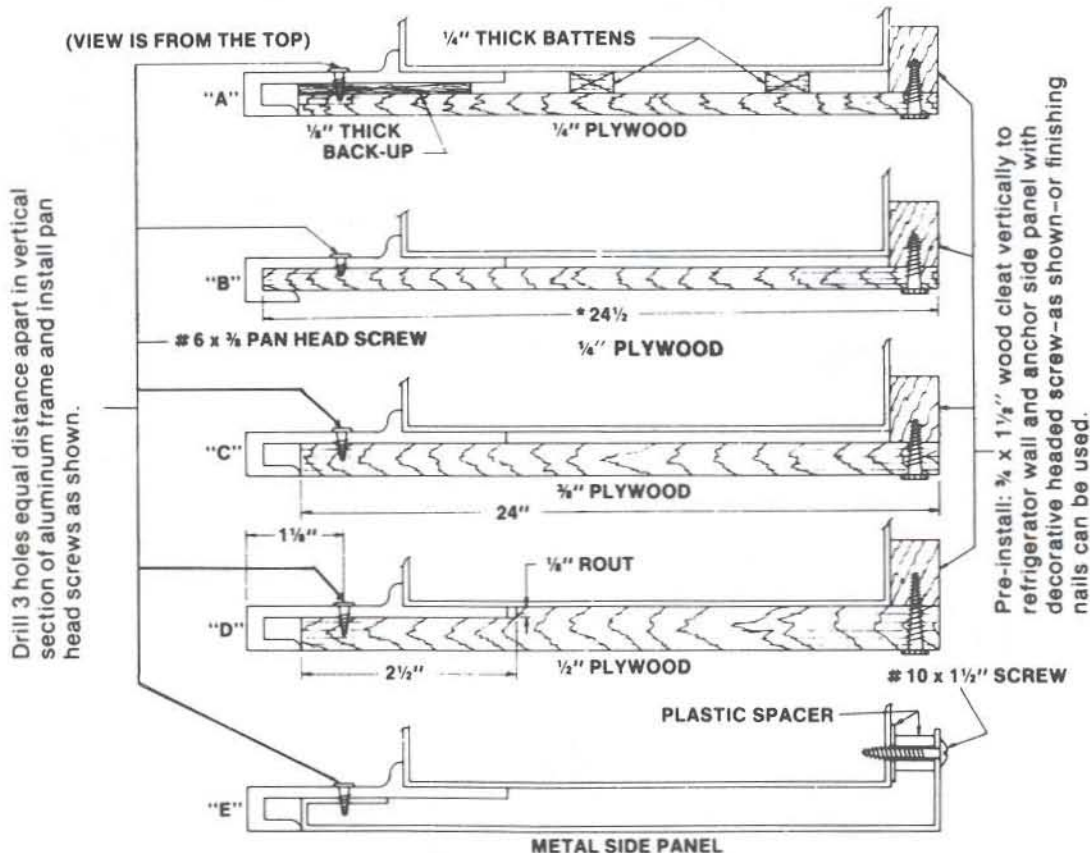
Figure C. PANEL INSTALLATION - FULL SIZE

All Sub-Zero units are manufactured in a manner to achieve a total built-in appearance (except free-standing models 215R and 215FD). This allows you to choose the decorative material and color application for the front and sides (if exposed) for your refrigerator/freezer. To install front panel on all Sub-Zero built-in and undercounter models:

- 1) With "small tipped" Phillips screwdriver, remove door handle. NOTE: on models 361RFD, 3211RFD, 2711 Freezer door and all undercounter models, the door handle also acts as trim molding.
 - 2) Slide panel into frame on door (if snug fit, you may loosen screws in top and bottom of panel frame). If a metal or other thin material is applied, we recommend two .100 thick chipboard fillers be inserted behind your panel to insure a proper fit. All frames are designed to accept up to 1/4" material. If a raised, wood panel is being used, the edges must, of course, be routed to the necessary 1/4" border specifications.
 - 3) With panel in position, replace frame molding and handle. Replace and tighten all screws. Special care should be taken not to overtighten and "strip" screws. Please refer to Figure E SCHEMATIC DRAWING for front panel dimensions. If side panels are being utilized, please refer to detailed side panel installation instructions.
- (Side panels not applicable to undercounters).



Dimensions given for typical side panel installation. Note: if 1/4" panel is used and inserted into return channel extrusion then a 24-1/2" size is necessary for width. Sheet must also be notched for grille. This is only necessary on this application.



*If 1/4" panel is used and inserted into return channel extrusion, then a 24 1/4" size is necessary for width.

UNDERCOUNTER

All Sub-Zero undercounter units are manufactured in a manner to achieve a total built-in appearance. This allows you to choose the decorative material and color application for the front of your refrigerator/freezer.

To install front panel on all Sub-Zero freezer models:

1. Remove door handle. Handle is located on the top on 22IM and 245 models, and on the side on other models. Handle is held on with Phillips head screws.
2. Slide 1/4" thick panel into frame on door. Door must be open 90° on 245 models. If a thinner panel is used, install chipboard filler panels behind the trim panel for proper fit. IMPORTANT: Routing may be required on some panels for finger clearance under handle.
3. With panel in position, replace handle. Replace and tighten all screws. Do not overtighten and 'strip' screws. Refer to Figure E schematic drawing for front panel dimensions.

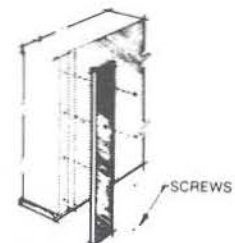
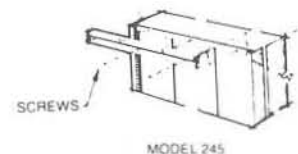
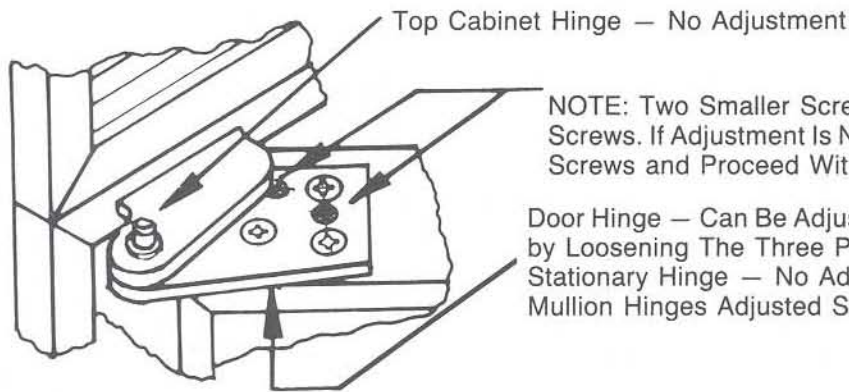
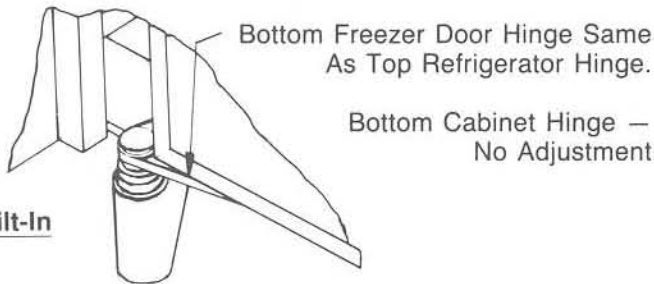


Figure D - HINGE ADJUSTMENT - FULL SIZE



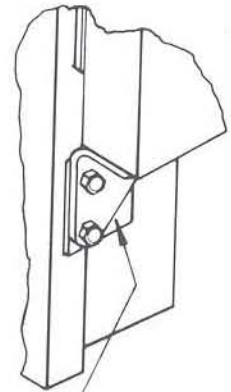
NOTE: Two Smaller Screws Have Been Used As Shipping Screws. If Adjustment Is Necessary, Remove and Discard Both Screws and Proceed With Adjustment As Listed.

Door Hinge — Can Be Adjusted From Left To Right, In and Out, by Loosening The Three Phillips Head Screws. Center Mullion Stationary Hinge — No Adjustment. Refrigerator and Freezer Mullion Hinges Adjusted Same As Refrigerator Top Hinge.



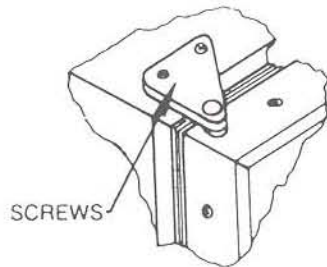
Built-In

Free-Standing

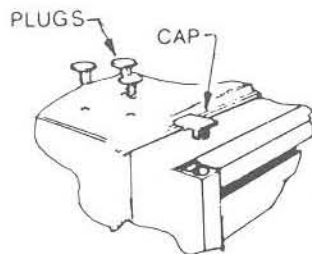


Loosen Screws to Readjust. Can Be Adjusted By Shimming. No Top Adjustment.

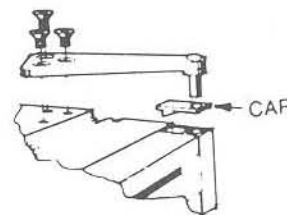
UNDERCOUNTER



Models 244 and 249: Top and Bottom hinges can be adjusted left to right, in & out, by loosening the two phillips head screws. Models 22IM and 245: Hinges are factory set; no field adjustment provided for.

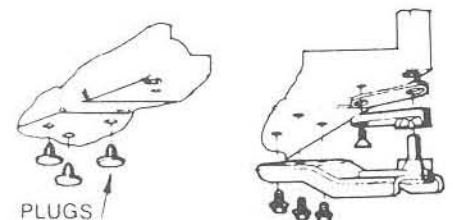


245 Upper Swing Change



SWING CHANGE

Models 244 and 249: Contact Sub-Zero for swing change kit. Model 245: Upper; interchange hinge, screws and corner cap on opposite side of cabinet and door. Lower; interchange hinge and screws with hole plugs on opposite side of cabinet. Move closer cam, screw and cam support plate to opposite side of door. DO NOT remove mating closer cam from closer hinge plate.



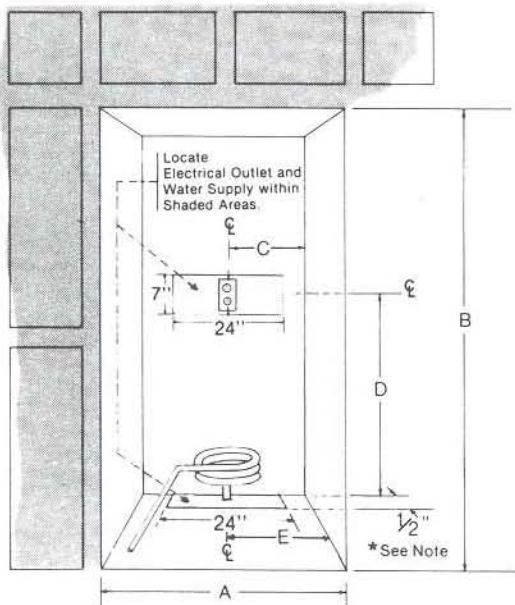
245 Lower Swing Change

Figure E Table

MODEL #	ROUGH OPENING DIMENSIONS		RECOMMENDED ELECTRICAL OUTLET LOCATION		WATER SUPPLY LOCATION	DOOR PANEL DIMENSIONS
	A	B	C	D	E	
201R	35-1/2"	72-3/4"	18"	3-1/2"		34-1/8" x 58-15/16"
2011ICE	35-1/2"	72-3/4"	18"	3-1/2"	18"	34-1/8" x 58-15/16"
201FD	35-1/2"	72-3/4"	18"	3-1/2"	18"	34-1/8" x 58-15/16"
211	29-1/2"	83-3/4"	15"	79"	15"	28-1/8" x 41-7/16" & 28-1/8" x 25-3/8"
241	35-1/2"	83-3/4"	18"	79"	18"	34-1/8" x 41-7/16" & 34-1/8" x 25-3/8"
2711	35-1/2"	83-3/4"	18"	79"	18"	34-1/8" x 41-1/16" & 34-1/8" x 25-3/8"
2811	35-1/2"	83-3/4"	18"	79"	18"	34-1/8" x 48-1/16" & 34-1/8" x 18-3/8"
251	35-1/2"	83-3/4"	18"	79"	18"	34-1/8" x 48-7/16" & 34-1/8" x 18-3/8"
2511	35-1/2"	83-3/4"	18"	79"	18"	34-1/8" x 48-7/16" & 34-1/8" x 18-3/8"
361	35-1/2"	83-3/4"	18"	79"	18"	14-5/8" x 67-11/16" & 19-1/8" x 67-11/16"
3211	47-1/2"	83-3/4"	18"	79"	18"	17-15/16" x 67-11/16" & 27-11/16" x 67-11/16"
801	35-1/2"	34-1/2"	18"	79"	18"	16-7/8" x 22-7/8" (both)
215R	35-1/2"	69-1/2"	18"	14"		---
215FD	35-1/2"	69-1/2"	18"	14"	18"	---
244	24"	34-1/2"	5"	14"	18"	23-5/8" x 30"
249R	24"	34-1/2"	12"	14"		23-5/8" x 30"
249RP	24"	34-1/2"	12"	14"		23-5/8" x 30"
249FF	24"	34-1/2"	5"	14"	18"	23-5/8" x 30"
22IM	12"	34-1/2"	6"	6"	6"	11-9/16" x 30"
505IS	18"	34-1/2"	6"	6"	11"	17-1/32" x 12-31/32"

NOTE: Water line may come directly through the wall, not higher than 2-1/2" from floor level.

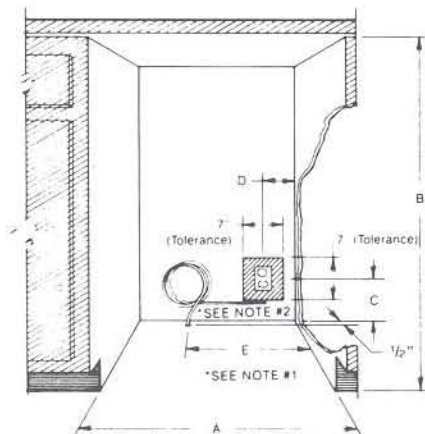
Figure E. SCHEMATIC DRAWING



FULL SIZE UNITS

INSTALLATION CHECK LIST

- Your Sub-Zero equipment is now installed.
We suggest you go through the following checklist:
- 1. Is unit operating? If not: is unit plugged in, is fuse or breaker blown?, refrigerator/freezer control on?
 - 2. Is unit leveled properly (if not refer to step 7)
 - 3. Is door adjusted? (step 11)
 - 4. Is water turned on to icemaker and ice bucket in position? (step 8)
 - 5. Is packaging material removed (tape and clips)?
 - 6. Is toe plate installed? (step 8)
 - 7. Is grille screw back in position? (step 9)
 - 8. Are panels installed correctly? (step 10)
 - 9. Give customer warranty packet.



UNDERCOUNTER UNITS