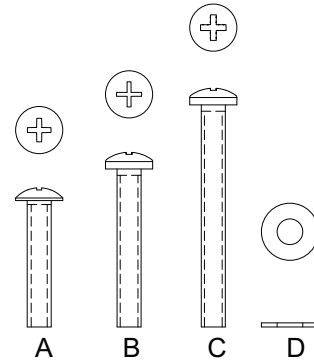


7012153 - #10-24 FASTENER KIT HANDLE HARDWARE INSTALLATION INSTRUCTIONS

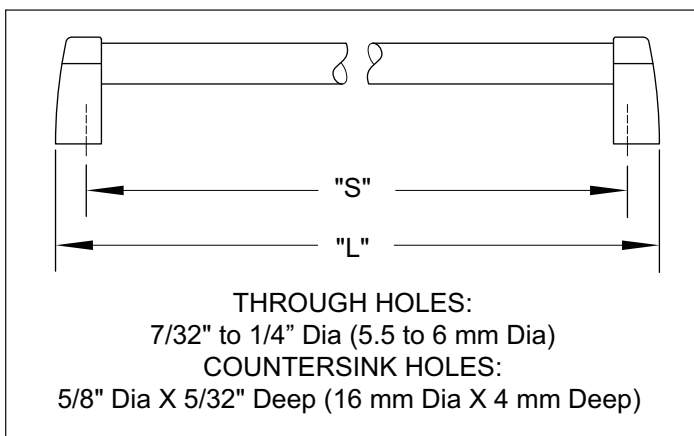
HARDWARE LIST		
ITEM	QTY	DESCRIPTION
A	2	SCREW,#10-24X1 PH PAN HD M/S
B	2	SCREW,MACH #10-24X1-1/4 PAN HD
C	2	SCREW,MACH #10-24X1-3/4 PAN HD
D	4	WASHER,FLAT 1/4X5/8 X .045 SS



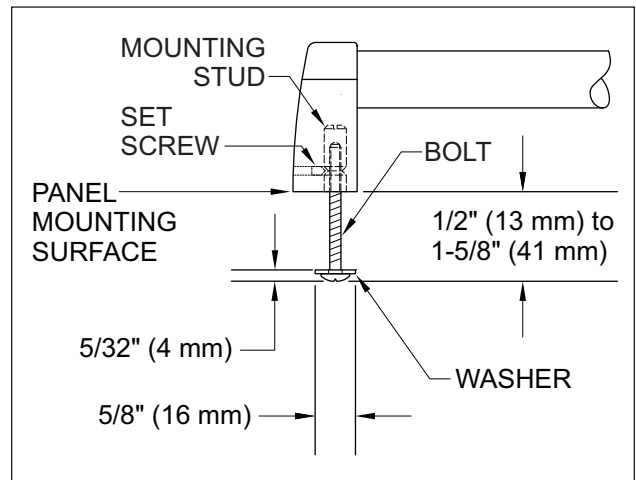
HARDWARE

PRO STYLE HANDLE SPECIFICATIONS		
Handle Pkg #	"S"	"L"
7006853	19-3/4" (501mm)	Nom 21" (533 mm)
7006854	16-5/16" (414 mm)	Nom 17" (432 mm)
* 7006855	22-5/16" (567 mm)	Nom 23" (584 mm)
* 7006856	28-3/4" (729 mm)	Nom 30" (762 mm)
7006857	38-5/16 (973 mm)	Nom 39" (991 mm)
7006858	36-1/4" (921 mm)	Nom 37" (940 mm)
* 7006859	19-3/4" (501mm)	Nom 21" (533 mm)
7006860	43-7/8" (1114 mm)	Nom 45" (1143 mm)

* Intended for use as a drawer handle - Take note of set screw orientation.



PRO HANDLE MOUNTING HOLE SEPARATION AND NOMINAL HANDLE LENGTH



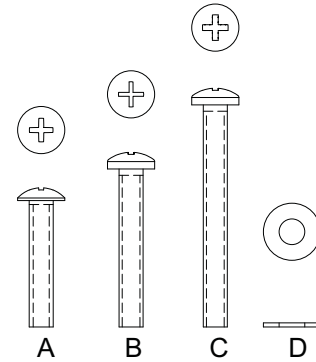
PRO HANDLE MOUNTING DETAIL

NOTE: Mounting Studs and Set Screws are installed at the factory



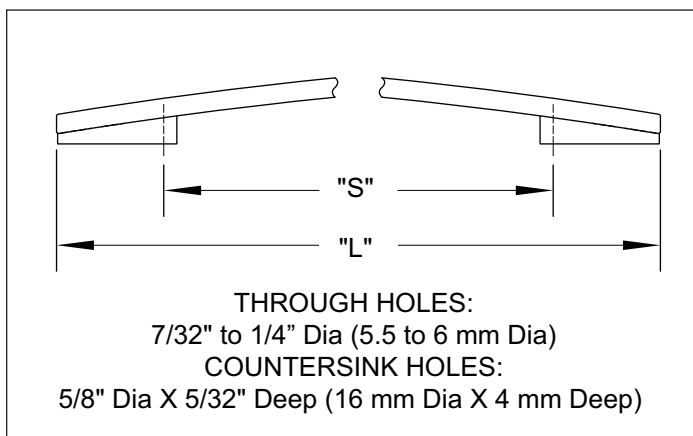
7012153 - #10-24 FASTENER KIT HANDLE HARDWARE INSTALLATION INSTRUCTIONS

HARDWARE LIST		
ITEM	QTY	DESCRIPTION
A	2	SCREW,#10-24X1 PH PAN HD M/S
B	2	SCREW,MACH #10-24X1-1/4 PAN HD
C	2	SCREW,MACH #10-24X1-3/4 PAN HD
D	4	WASHER,FLAT 1/4X5/8 X .045 SS

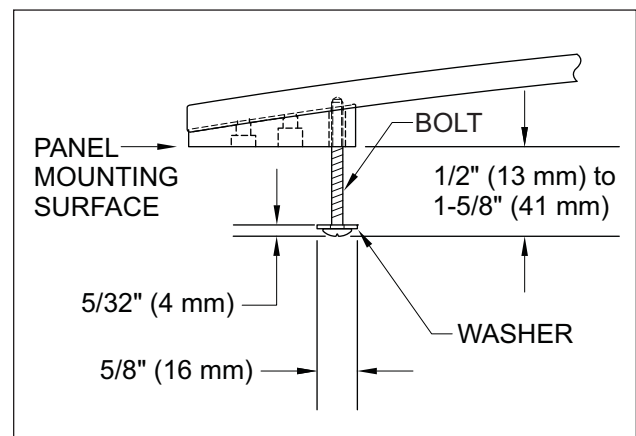


HARDWARE

CURVED HANDLE SPECIFICATIONS		
Handle Pkg #	“S”	“L”
7006928	16-5/16 (414 mm)	Nom 25” (635 mm)
7006929	22-5/16” (567 mm)	Nom 31” (787 mm)
7006932	36-1/4” (921 mm)	Nom 45” (1143 mm)
7006934	43-7/8” (1114 mm)	Nom 57” (1448 mm)



CURVED HANDLE MOUNTING HOLE SEPARATION AND NOMINAL HANDLE LENGTH



CURVED HANDLE MOUNTING DETAIL

