

# Model 315 Ice Maker Door Stop and Hinge Cover Installation

## CONTAINS:

| <u>QUANTITY</u> | <u>DESCRIPTION</u>   |
|-----------------|----------------------|
| 1               | 90° Door Stop Pin    |
| 1               | Hinge Cover Assembly |

## PROCEDURE:

### 90 Degree Door Stop:

1. Open door to 80 degrees.
2. Insert stop pin into bottom door hinge (pin enters from top). (See Figure 1).
3. Pin must be driven until head has made contact with hinge body.
4. Insert stop pin into top door hinge (pins enters from bottom).
5. Pin must be driven until head has made contact with hinge body.
6. Check for proper operation.
7. Install hinge covers if installation is complete.

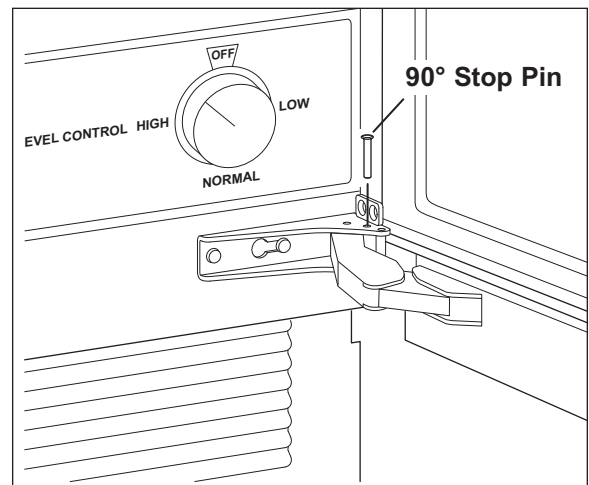


Figure 1

## PROCEDURE:

### Hinge Cover Installation:

This is to be completed *after* unit is fully installed.

**IMPORTANT NOTE:** Install 90 degree stop prior to installing hinge covers.

1. Remove backing paper of adhesive pads and bond to hinge (See Figure 2).

**IMPORTANT NOTE:** Hinges must be free of dirt or grease before applying covers.

2. Install center covers as shown in Figure 2 (magnets will secure these covers).

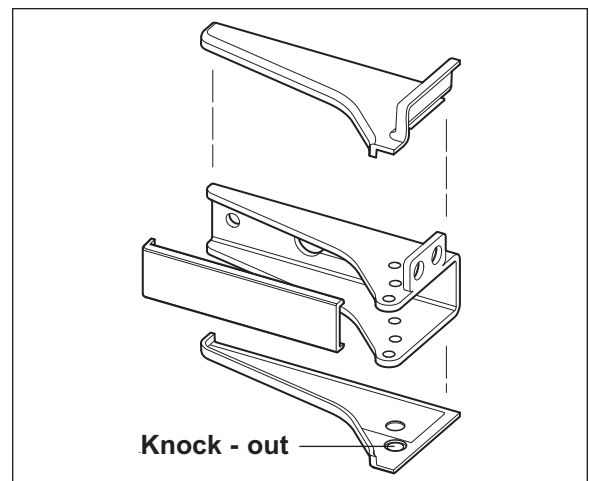


Figure 2

**IMPORTANT NOTE:** It will be necessary to remove knock-out in this cover when 90 degree door stop is used.

