

7011215 WS-30 Lock Installation Kit

CONTAINS:

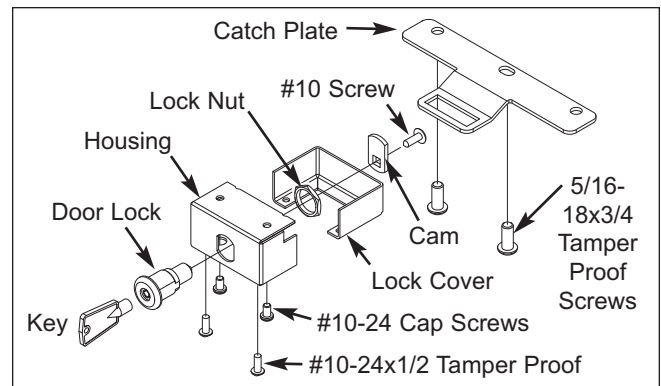
<u>QTY</u>	<u>DESCRIPTION</u>
1	Lock, Door (w/ #10 Screw, Nut and 2 Keys)
1	Housing, Door Lock
1	Cover, Door Lock
2	Screws, #10-24 x 1/2" Socket Head Cap
2	Screws, #10-24 x 1/2" Tamper Proof
1	Door Lock Bracket
2	Screws, 5/16-18 x 3/4" Tamper Proof
1	3/16 Hex Key
1	Cam, Door Lock - Black (WS-30)
1	Instructions

INSTALLATION PROCEDURE:

1. Extract two 5/16-18 bolts from handle side of the bottom cabinet hinge holes and discard them.
2. Using the two 5/16-18 x 3/4" tamper proof screws, secure the catch plate to the bottom cabinet hinge holes on the handle side of the unit (See Figure 1).

NOTE: There will be one unused hole in the catch plate.

3. Extract two existing #10-24 cap screws from the bottom of the door and use them to fasten the lock assembly and housing to the bottom of the door through the same holes in which the cap screws were removed (See Figure 1).
NOTE: Stainless doors will have four screws in the door. Extract four and discard two.
4. Install the cam onto the lock using the #10 screw so that a clockwise rotation will lock the door (See Figure 1).
5. Check the lock for proper operation.
6. Slide the lock cover into position and secure it using two #10-24 x 1/2" tamper proof screws (See Figure 1).



WS-30 Lock Assembly and Housing

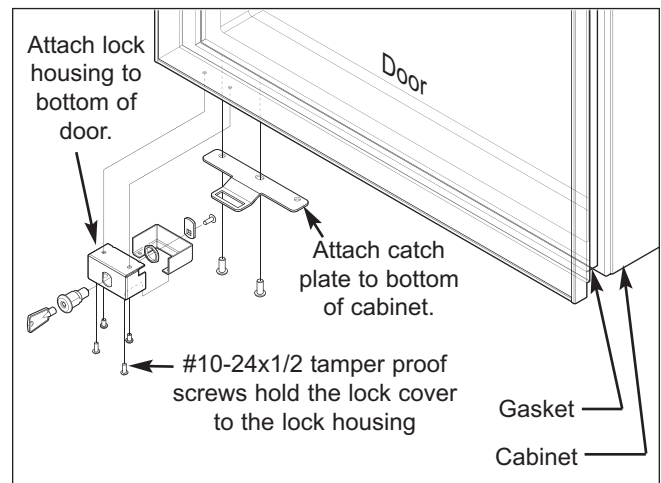


Figure 1. Attaching Catch Plate and Assembly

