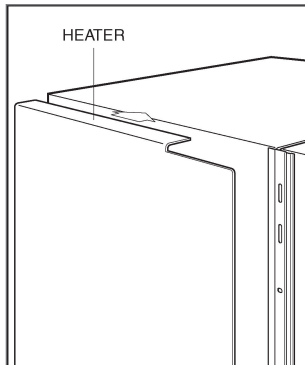


CONTENTS

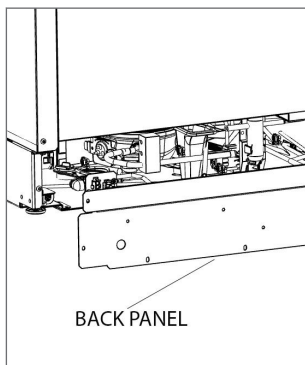
1	Heater
2	Guard, edge
1	Tape
4	Clip, center
4	Screw, #8 x 1/2"
1	Trim, center
1	Wire, ground
1	Bushing, plastic

UNDERCOUNTER DUAL INSTALLATION

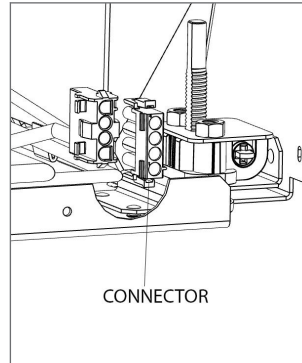
- 1 Remove the paper backing from the tape on the back of the heater panel.
- 2 Place the heater on the left side of the unit on the right.
- 3 Align the heater with the top of the unit, and press firmly to secure.



- 4 Install edge guard on the bottom of the heater panel where wires pass. Trim the edge guard to fit.
- 5 Clip the ground wire to the opening and the heater panel.
- 6 Remove the screws from the back panel and remove the back panel.



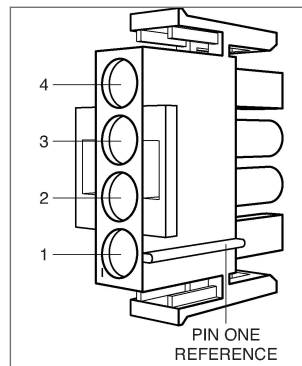
- 7 Remove the unused connector.



- 8 Place the leads from heater into the correct location on the connector.

Note: Wire location is model-specific. Refer to the chart for proper placement.

WIRE PLACEMENT	
MODEL	WIRE PLACEMENT
Combination Refrigerator/Freezer	1 and 2
All Other Models	2 and 4



- 9 Connect the heater connector to the connector on the unit.
- 10 Install the back cover using the existing screws.
- 11 Install the plastic bushing around the heater wires, then insert the bushing into the hole on the back panel.
- 12 Clip the ground wire to the bottom of the heater and to the square hole on the back cover.
- 13 Install tape to the front edge of the heater.
- 14 Insert both units into the opening.



- 15 Secure side trim using the clips and screws provided.
If using a power drill, set to the lowest torque setting to avoid stripping the inside of the clips.
- 16 Align the center trim with the clips, and press to install.

