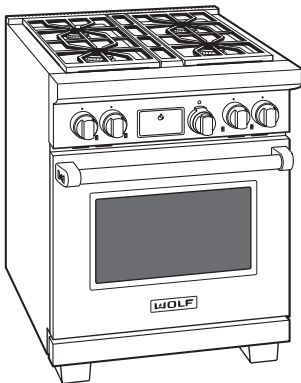


FEATURES

- Dual-stacked sealed surface burners with flame recognition and automatic reignition for safety and ease of use.
- Heavy-duty stainless steel exterior with island trim.
- Individual spark ignition system—only the burner in use will spark.
- Porcelain-coated, cast iron continuous burner grates.
- Signature red, black or stainless steel control knobs (specify with range).
- Dual convection oven with two fans for even heat distribution.
- Ten cooking modes—bake, roast, broil, convection bake, convection broil and proof—bake stone and dehydration modes require accessory.
- Cobalt blue porcelain oven interior.
- Temperature probe and broiler pan.
- Wolf exclusive pivoting hidden touch control panel and coaxial oven knob.
- Three adjustable oven racks; one full-extension easy glide, one full-extension door glide and one standard.
- Self-clean, delayed start, timed cook and Sabbath features.
- Wolf exclusive spring and damper door hinge system.

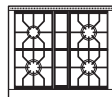


Model DF304



MODEL OPTIONS

Natural Gas	DF304
LP Gas	DF304-LP



DF304

ACCESSORIES

- 5" and 10" stainless steel risers, and 20" riser with shelf.
- Signature red, black or stainless steel control knobs.
- Stainless steel, brass or chrome bezels.
- Cast iron S-grates and wok grate.
- Set of three standard oven racks.
- Full-extension easy glide oven rack.
- 30" baking sheet.
- Temperature probe and broiler pan.
- Bake stone kit (stone, rack and peel).
- Dehydration kit (racks and door stop).
- Front leg and rear caster covers.
- Stainless steel kickplate.
- High altitude conversion kit—LP above 8,600' and NG above 10,250'.

Accessories available through an authorized Wolf dealer. For local dealer information, visit the find a showroom section of our website, wolfappliance.com.

SPECIFICATIONS

PRODUCT

Dimensions 29⁷/₈"W x 36⁷/₈"H x 29¹/₂"D
 Door Clearance 19¹/₂"
 Weight 325 lb

OVEN

Interior 25"W x 16¹/₂"H x 19"D
 AHAM Overall Capacity 4.5 cu ft
 AHAM Usable Capacity 2.8 cu ft

ELECTRICAL

Supply 240/208 VAC, 60 Hz
 Service 30 amp circuit

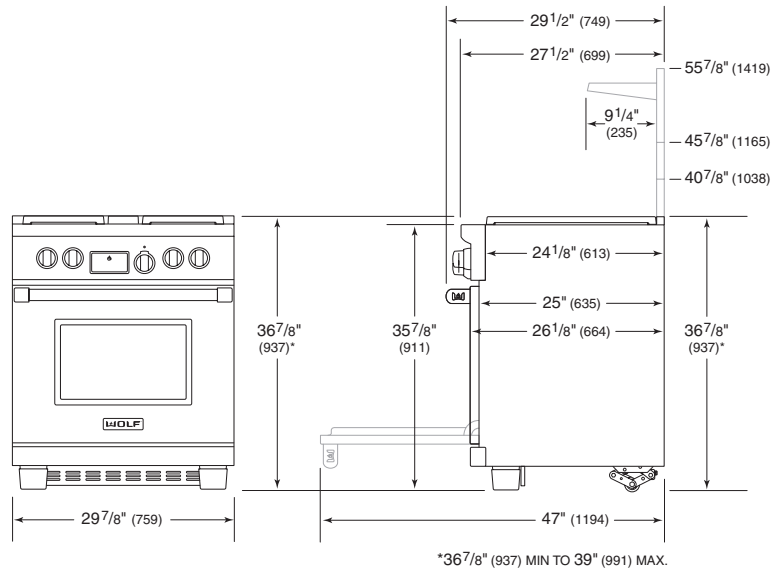
GAS

Supply 3/4" rigid pipe
 Inlet 1/2" NPT female

BURNER RATING (Btu)

SURFACE	SIMMER	HIGH
Large (3)	950	15,000
Small	325	9,200

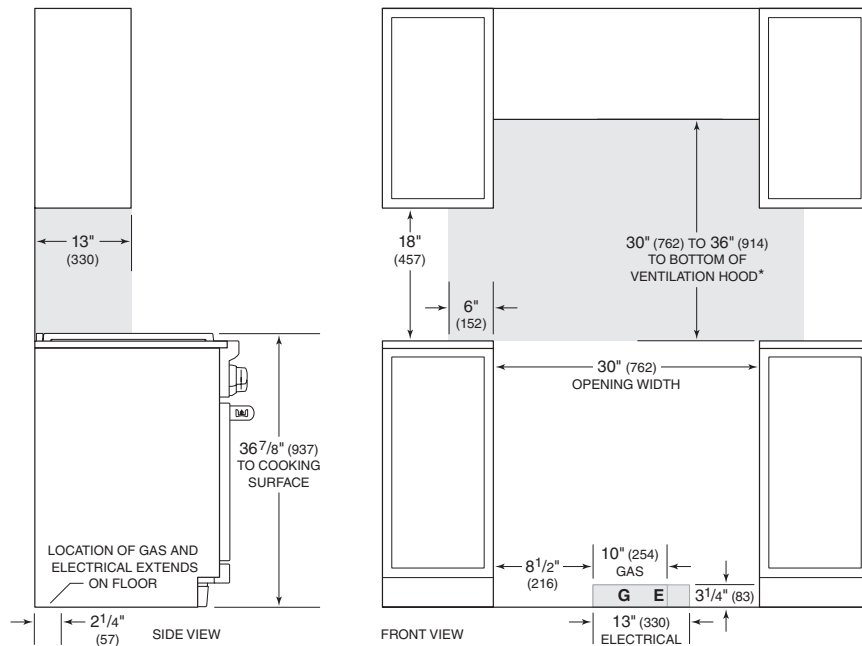
DIMENSIONS



Specifications are subject to change without notice. Visit wolfappliance.com/specs for the most up-to-date information.

Dimensions may vary ±1/8" (3). Dimensions in parentheses are millimeters unless otherwise specified.

INSTALLATION



*Without ventilation hood, 36" (914) minimum clearance countertop to combustible materials, 44" (118) for charbroiler.
 NOTE: Shaded area above countertop indicates minimum clearance to combustible surfaces, combustible materials cannot be located within this area.
 For island installation, 12" (305) minimum clearance back of range to combustible rear wall above countertop.