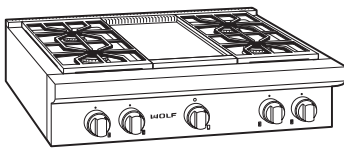


FEATURES

- Dual-stacked sealed surface burners with flame recognition and automatic reignition for safety and ease of use.
- Heavy-duty stainless steel exterior with island trim.
- Individual spark ignition system—only the burner in use will spark.
- Porcelain-coated, cast iron continuous burner grates.
- Signature red control knobs with infinite control.
- Top configurations include infrared charbroiler and infrared griddle with stainless steel covers.



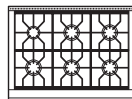
Model SRT364G



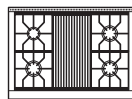
MODEL OPTIONS

SIX BURNERS	SRT366
FOUR BURNERS	
Charbroiler	SRT364C
Griddle	SRT364G

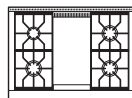
LP gas models, add (-LP).



SRT366



SRT364C



SRT364G

ACCESSORIES

- 5" and 10" stainless steel risers, and 20" riser with shelf.
- Signature red, black or stainless steel control knobs.
- Stainless steel, brass or chrome bezels.
- Cast iron S-grates and wok grate.
- Hardwood cutting board (griddle model).
- Griddle cleaning kit (griddle model).
- LP gas high altitude conversion kit.

Accessories available through an authorized Wolf dealer. For local dealer information, visit the find a showroom section of our website, wolfappliance.com.

SPECIFICATIONS

PRODUCT

Dimensions 35⁷/₈"W x 8¹/₂"H x 28¹/₂"D
 Weight 190–220 lb

ELECTRICAL

Supply 110/120 VAC, 60 Hz
 Service 15 amp circuit

GAS

Supply ³/₄" rigid pipe
 Inlet ¹/₂" NPT female

BURNER RATING (Btu)

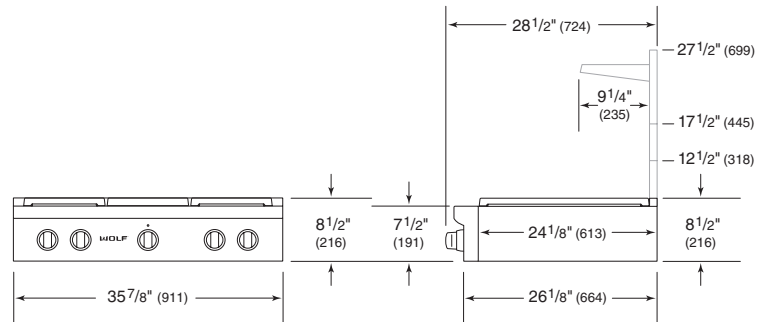
SURFACE	SIMMER	HIGH
Large (5 or 3)	950	15,000
Small	325	9,200

FEATURE	NATURAL	LP
Charbroiler	16,000	16,000
Griddle	15,000	13,000

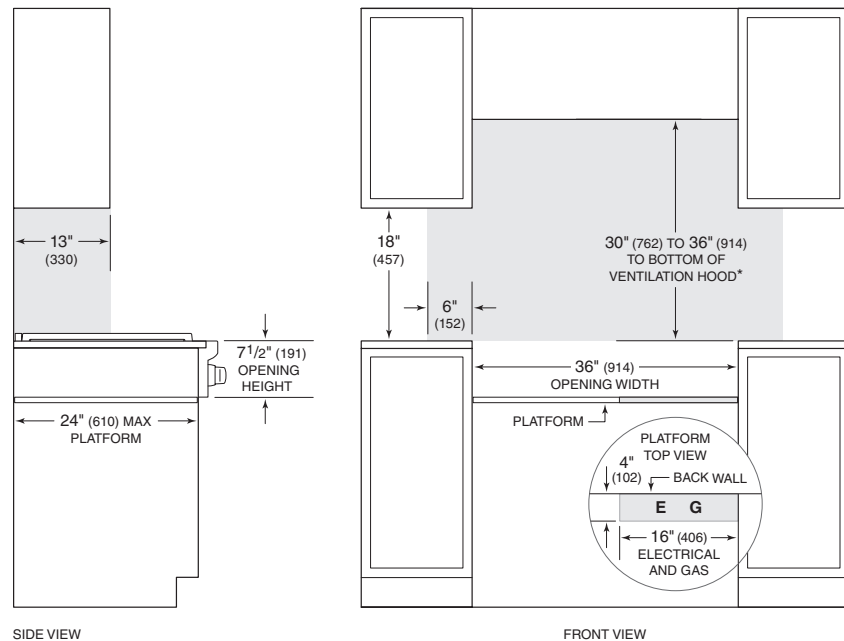
Specifications are subject to change without notice. Visit wolfappliance.com/specs for the most up-to-date information.

Dimensions may vary ±¹/₈" (3). Dimensions in parentheses are millimeters unless otherwise specified.

DIMENSIONS



INSTALLATION



*Without ventilation hood, 36" (914) minimum clearance countertop to combustible materials, 44" (118) for charbroiler.
 NOTE: Shaded area above countertop indicates minimum clearance to combustible surfaces, combustible materials cannot be located within this area.
 Electrical and gas supply located through bottom of platform.
 A riser is required for installations against a combustible surface.