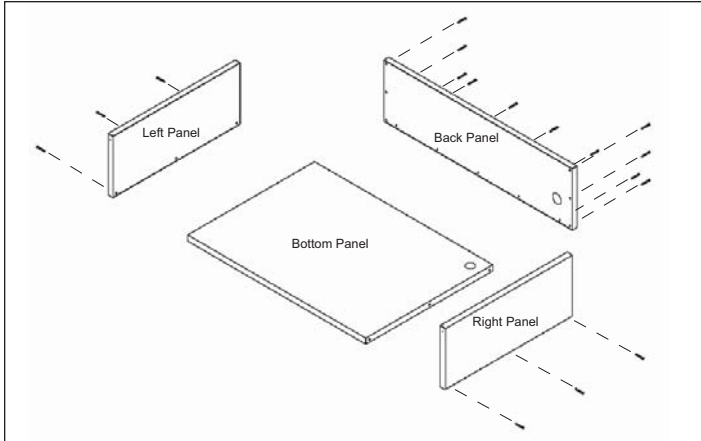


# 808367(36'') 808386 (48'') WOLF BBQ LINER ASSEMBLY INSTALLATION INSTRUCTIONS (Sales Accessory)

## ⚠ CAUTION

Panels may have sharp edges, which could inflict serious personal injury. Use gloves when handling. The carton and it's contents are heavy and unstable. Carton should be laid flat for unpacking.



Exploded View of Kit Contents

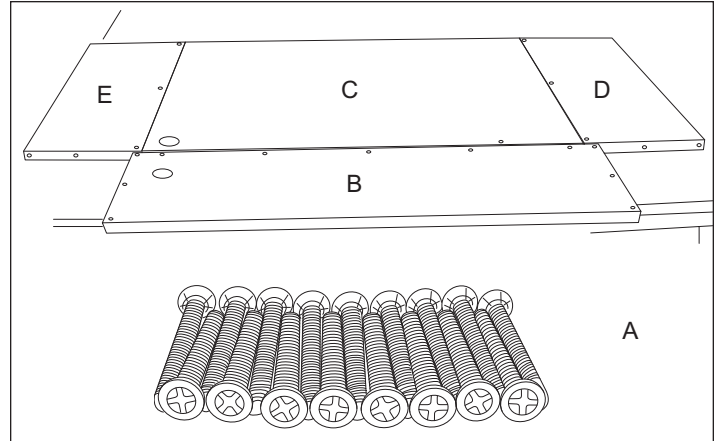


Figure 1

### Kit Contains: (See Figure 1)

ITEM	QTY	DESCRIPTION
A	17	10-24x1.5 Screws
B	1	Rear Panel Assy.
C	1	Bottom Panel Assy.
D	1	Left Panel Assy.
E	1	Right Panel Assy.

**Tool Required:** Phillips Screwdriver

### Procedure:

1. Take components out of box and remove laser film before assembling.
2. Align rear panel (B) to bottom panel (C). Make sure that outer panel (seamless side) of rear panel assembly is facing outward. See Figure 2.
3. Place 5 screws in the rear panel. See Figure 2.
4. Turn screws into the rear panel. Turn in outer screws first to assure alignment. See Figure 3. **NOTE: Be careful not to over tighten screws. This may cause outer panel to bow outward.**

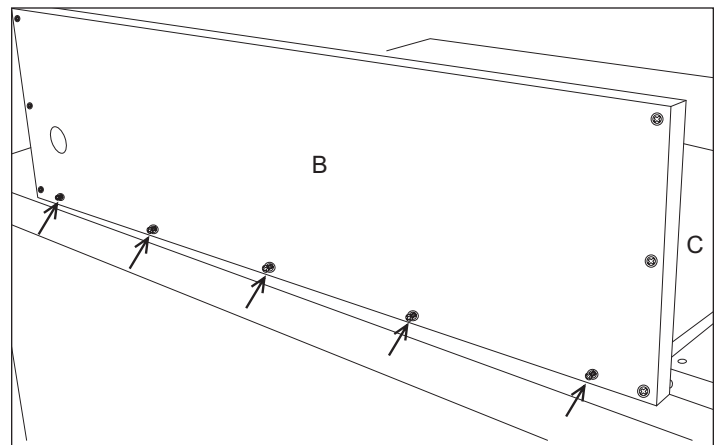


Figure 2

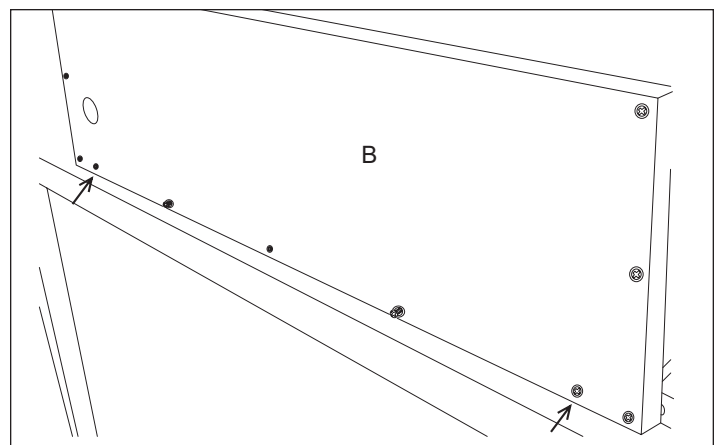


Figure 3

# 808367(36'') 808386 (48'') WOLF BBQ LINER ASSEMBLY INSTALLATION INSTRUCTIONS (Sales Accessory)

5. Align right panel (E) to the bottom panel (C) and back panel (B). See *Figure 4*. Make sure that outer panel (seamless side) of the right panel assembly is facing outward.
6. Insert 6 screws into right panel. Turn in outer screws first to assure alignment. See *Figure 4*. **NOTE: Be careful not to over tighten screws. This may cause outer panel to bow outward.**
7. Align left panel (D) to bottom panel (C) and back panel (B). See *Figure 5*. Make sure that the outer panel (seamless side) of the left panel assembly is facing outward.
8. Insert 6 screws into left panel. Turn in outer screws first to assure alignment. See *Figure 5*. **NOTE: Be careful not to over tighten screws. This may cause outer panel to bow outward.**
9. Make sure all screws are tightened and lift liner with help from another person. See *Figure 6*.

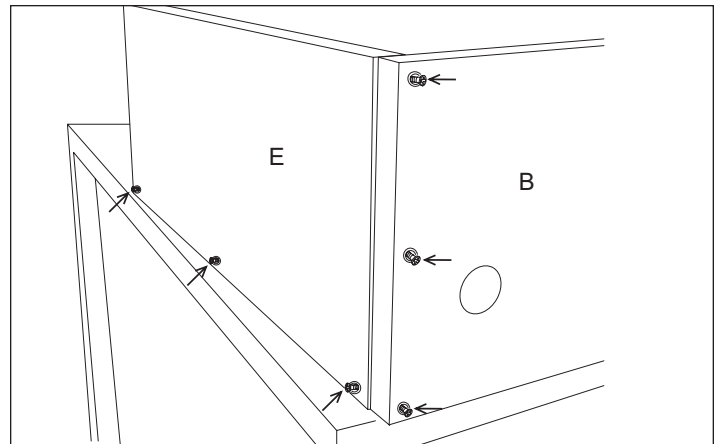


Figure 4

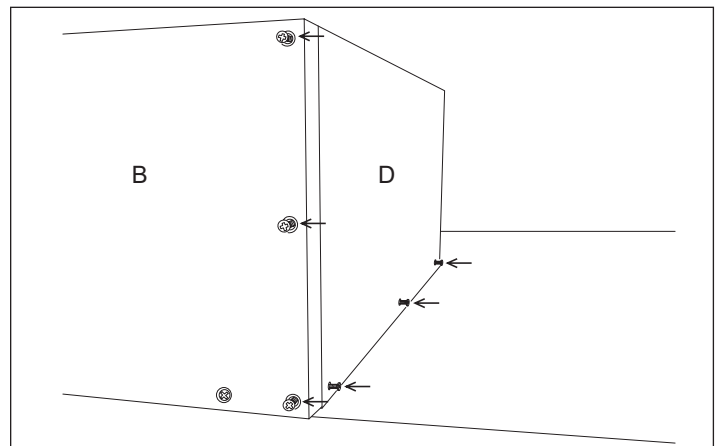


Figure 5

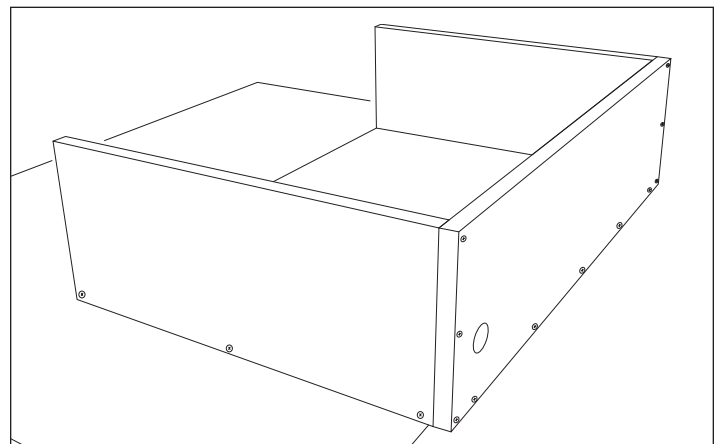


Figure 6