

Contents

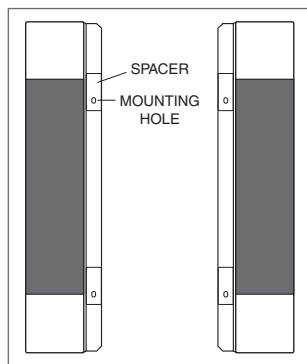
Qty	Description
4	Screw, #8-18 x 1/2"
1	Trim Panel Assy, LH
1	Trim Panel Assy, RH
1	Instructions

Trim Installation

Trim kits are an optional sales accessory and not required to install the convection steam oven.

IMPORTANT NOTE: Before moving the oven, protect any finished flooring and cabinetry to avoid damage.

- 1) Move the convection steam oven into position near the installation opening. Remove and discard packing materials.
- 2) Position the trim panels as shown below. When properly oriented, the four mounting holes will be positioned near the bottom of the four spacers.

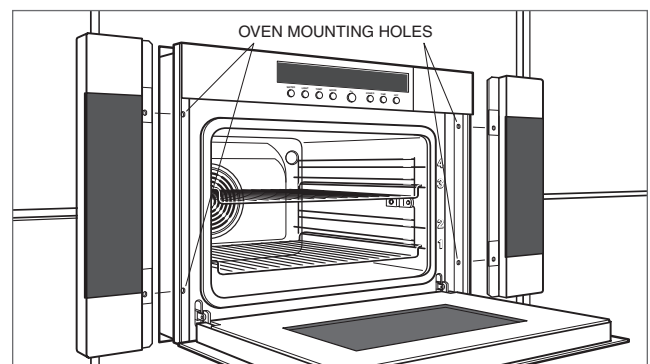


Trim panel orientation.

- 3) Carefully place the oven in the opening. Resting the oven on the cabinet base support, slide the unit into the opening until it is approximately 6" (152) from being fully installed. Guide the power cord through the opening of the adjacent cabinet or base support as the oven is slid into position. Verify the power cord is not trapped between the oven and cabinet wall.
- 4) Continue to slide the unit back into position until it is 1/4" (6) proud of the cabinet face frame. Open the oven door and locate the four mounting holes on the oven side trim. Refer to the illustration below. Use a 1/16" drill bit to drill pilot holes into the cabinet.
- 5) Locate the four mounting screws provided. Place the left trim panel behind the oven side trim. Slide the left side of the oven back and install two of the mounting screws just far enough to hold the trim in place. Repeat with the right trim panel.
- 6) To complete the installation, verify the trim panels align with oven trim and securely tighten all four mounting screws.

⚠ WARNING

Failure to install the mounting screws may cause the oven to tip forward during use.



Oven installation with trim.

