



Convection Steam Oven

Installation Guide

SPECIFICATIONS, INSTALLATION,
AND MORE



Contents

- 3** Convection Steam Oven
- 3** Specifications
- 8** Installation
- 11** Troubleshooting

Features and specifications are subject to change at any time without notice. Visit wolfappliance.com/specs for the most up-to-date information.

Important Note

To ensure this product is installed and operated as safely and efficiently as possible, take note of the following types of highlighted information throughout this guide:

IMPORTANT NOTE highlights information that is especially important.

CAUTION indicates a situation where minor injury or product damage may occur if instructions are not followed.

WARNING states a hazard that may cause serious injury or death if precautions are not followed.

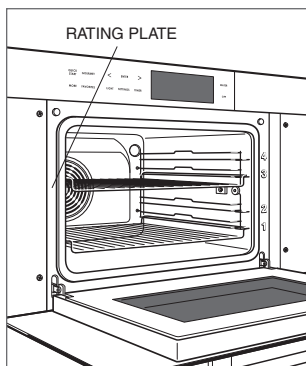
IMPORTANT NOTE: Throughout this guide, dimensions in parentheses are millimeters unless otherwise specified.

IMPORTANT NOTE: Save these instructions for the local electrical inspector.

Product Information

Important product information, including the model and serial number, are listed on the product rating plate. The rating plate is located on the left side of the front face frame. The oven door must be open to view the rating plate. Refer to the illustration below.

If service is necessary, contact Wolf Factory Certified Service with the model and serial number. For the name of the nearest Wolf Factory Certified Service or for questions regarding the installation, visit the Product Support section of our website, wolfappliance.com, or call Wolf Customer Care at 800-222-7820.



Rating plate location

Installation Requirements

The convection steam oven can be installed in a standard or flush inset application. The back 2½" (64) of the base support must be open for water and drain line accessibility and routing. Refer to the illustration below.

Finish the edges of the opening. They may be visible when the door is open.

For standard installations, the face trim overlaps stiles and rails. Refer to the chart.

For flush inset installations, a minimum ⅛" (3) reveal is required on all sides. To ensure consistent reveals, each corner of the opening must be exactly 90°.

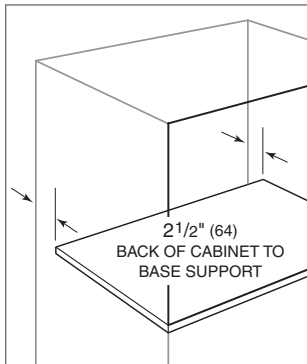
If the convection steam oven is installed above or below a Wolf E series oven in a flush inset application, a ¼" (6) reveal is required.

INSTALLATION REQUIREMENTS

Minimum Base Support	100 lb (45 kg)
----------------------	----------------

TRIM OVERLAP

Top	⅜" (5)
Bottom	0" (0)
Sides	1½" (18)



Base support

Electrical Requirements

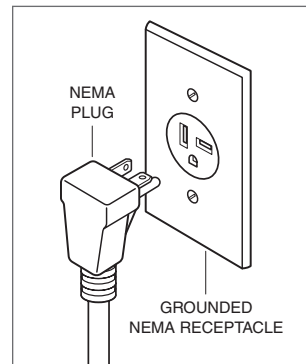
Installation must comply with all applicable electrical codes.

Locate the electrical supply as shown in the illustrations on the following pages. A separate circuit servicing only this appliance is required. A ground fault circuit interrupter (GFCI) is not recommended and may cause interruption of operation. Refer to the illustration below for minimum power cord plug clearance.

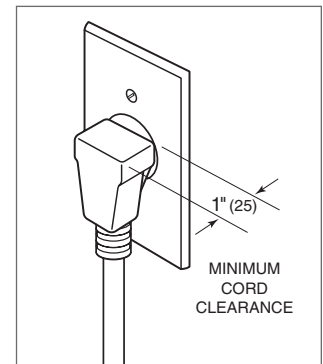
Performance may be compromised if the electrical supply is less than 240 volts.

ELECTRICAL REQUIREMENTS

Electrical Supply	grounded, 240/208 VAC, 60 Hz
Service	20 amp dedicated circuit
Receptacle	NEMA 6-20R grounding-type
Power Cord	6' (1.8 m)



NEMA 6-20R receptacle

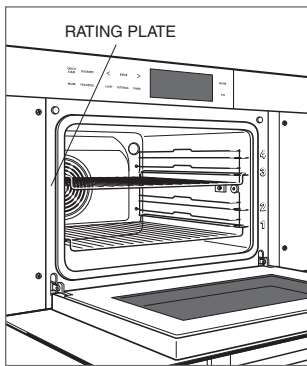


Power cord clearance

Electrical Requirements

⚠ WARNING

ELECTRICAL SHOCK HAZARD: Plug into a grounded 3-prong outlet. Do not remove the ground prong. Do not use an adapter. Failure to follow these instructions can result in electric shock, fire, or death.



Rating plate location

Plumbing Requirements

Installation must comply with all applicable plumbing codes. The drain tube connection must be a minimum 2" (51) below the unit and a minimum 4" (102) from the floor. Locate the drain and water connections below the unit or in an adjacent cabinet. Any opening into the adjacent cabinet must meet the following: the longest dimension of the opening shall not be more than 1½" (38). The edges of the opening must be smooth and round.

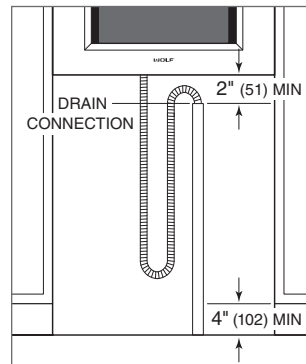
A drain line high loop is required. The drain tubing cannot be extended or reduced in length.

Connect the water supply to a cold water house supply with an easily accessible shut-off valve between the supply and the unit.

Purge the water supply prior to final connection to the unit. This will remove any debris that may be present in the tubing from installing the new water supply. Connect the braided tubing from the unit to the house water supply with the fitting provided. Check all water supply fittings for leaks.

PLUMBING REQUIREMENTS

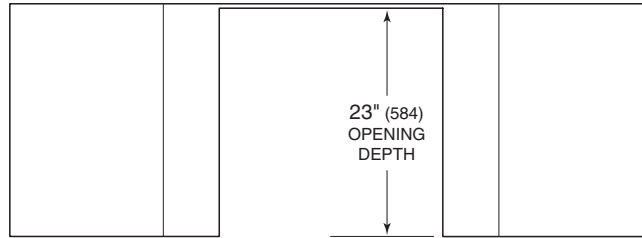
Water Connection	6.5' (2 m) braided tubing with 3/8" female compression fitting
Drain Connection	10' (3 m) corrugated tubing
Pressure	15–145 psi (1–10 bar)



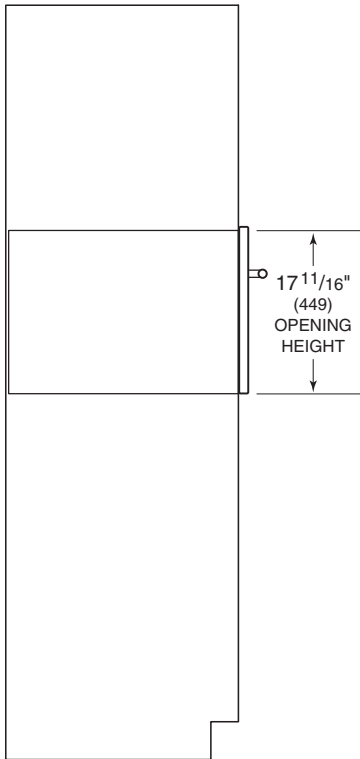
Drain connection

Convection Steam Oven

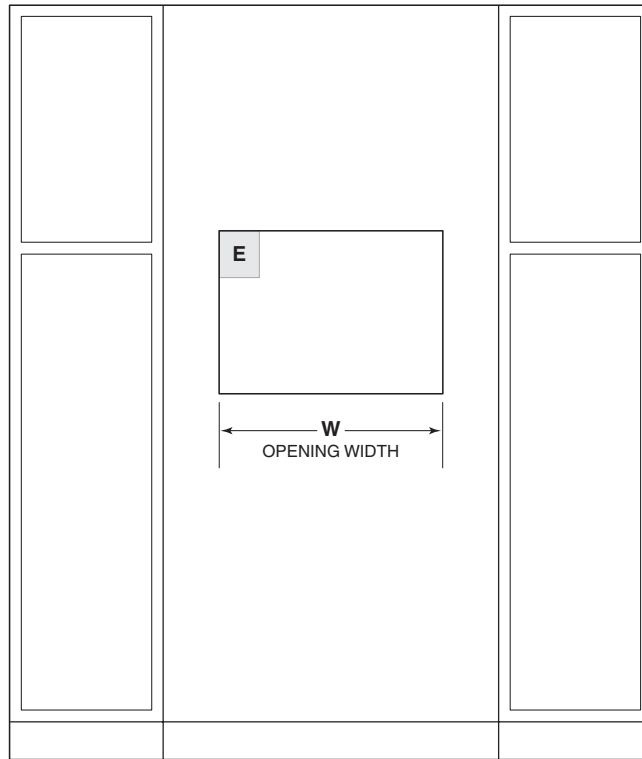
STANDARD INSTALLATION



TOP VIEW



SIDE VIEW

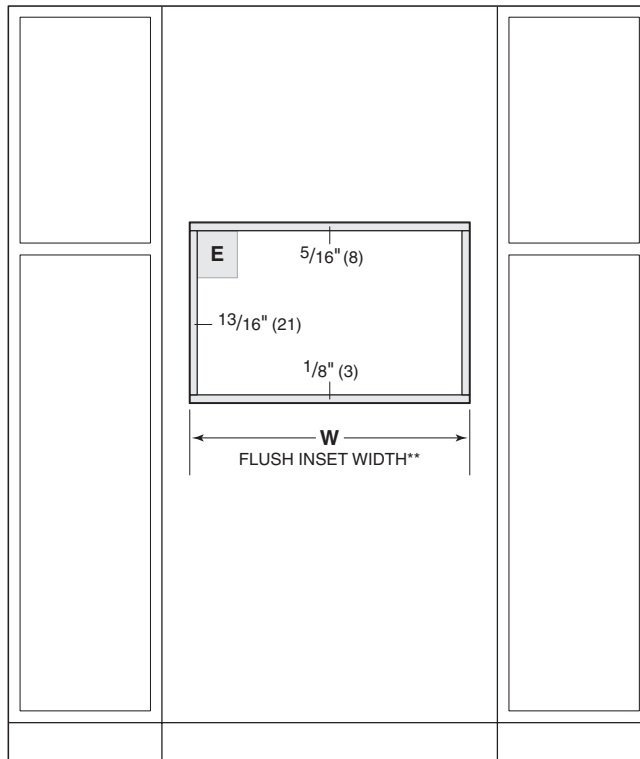
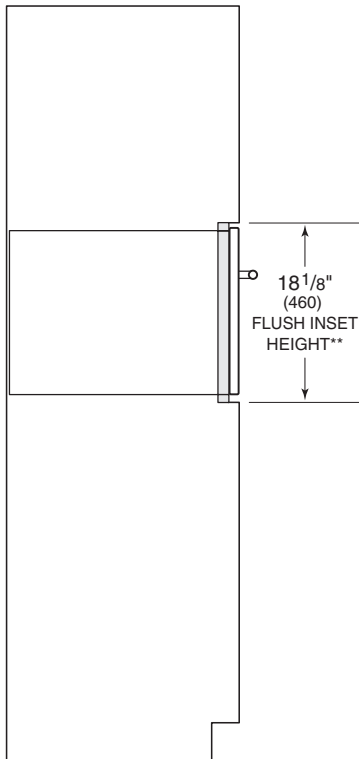
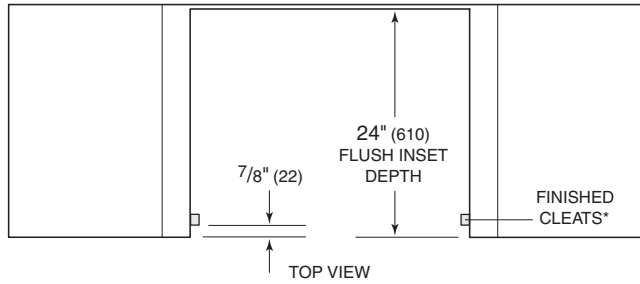


FRONT VIEW

OPENING WIDTH	W
24" Model	22 1/8" (562)
30" Model	28 1/2" (724)

Convection Steam Oven

FLUSH INSET INSTALLATION



SIDE VIEW

FRONT VIEW

*Will be visible and should be finished to match cabinetry.

**Dimension provides minimum reveals.

OPENING WIDTH	W
24" Model	23 3/4" (603)
30" Model	30 1/8" (765)

Preparation

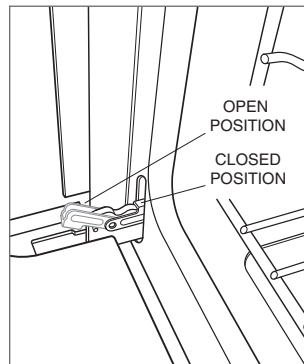
Before moving the oven, protect any finished flooring and secure the oven door closed to prevent damage.

Use an appliance dolly to move the unit near the opening. Remove and recycle packing materials. Do not lift or carry the oven by the door handle.

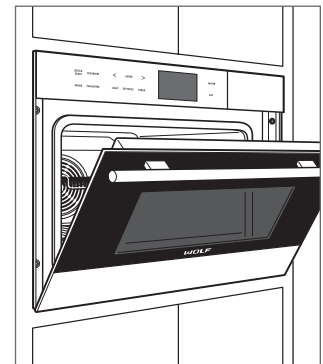
OVEN DOOR REMOVAL

To remove, open the oven door completely. Rotate both hinge latches forward to the open position. Close the door to the at-rest position, then lift up and out. Refer to the illustrations below.

To reinstall, insert the door hinges into the frame openings. Open the oven door completely and rotate both hinge latches back to the closed position.



Oven door hinge latch



Door at-rest position

Installation

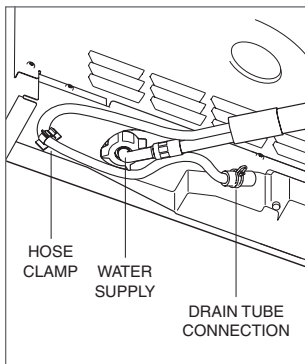
Installation

- 1 Place the unit near the opening.
- 2 Plug the power cord into the receptacle.
- 3 Connect the drain tube and water supply line to the unit, then secure the drain tube with the screw clamp. Refer to the illustration below.
- 4 Connect the water connection to the water supply with the fitting provided and check for leaks.
- 5 Connect the drain tube following local code. The drain tube connection must be 2" (51) below the unit and more than 4" (104) above the floor. The drain can also be located in an adjacent cabinet.
- 6 Place the oven in the opening and slide back partially. Verify the power cord, drain line, and water supply are not kinked or trapped between the oven and cabinet wall.
- 7 Locate the mounting holes on the oven side trim, two on each side. Drill $\frac{1}{16}$ " pilot holes. Use the provided mounting screws to secure the oven to cabinetry. Refer to the illustration below.

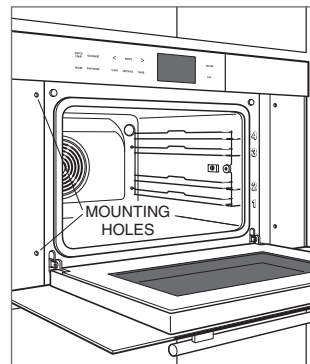
To avoid interference, a 90° door stop may be required for any appliance or cabinet door installed next to the oven.

⚠ CAUTION

Failure to install the mounting screws may cause the oven to tip forward during use.



Drain tube connection



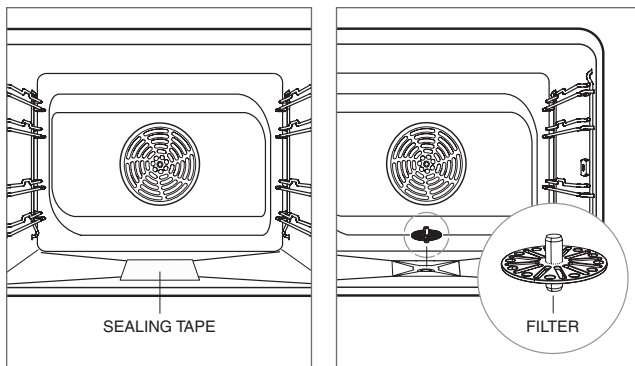
Oven installation

Installation

Completion

Once installation is complete, check the unit for water leaks.

- 1 Remove all contents from the unit.
- 2 Remove the sealing tape from the water outlet. Refer to the illustration below.
- 3 Insert the filter over the water outlet. Refer to the illustration below.
- 4 Run a Steam cycle and check for leaks.



Sealing tape

Filter location

Troubleshooting

IMPORTANT NOTE: If the oven does not operate properly, follow these troubleshooting steps:

- Verify electrical power is supplied to the oven.
- Verify proper electrical connections.
- If the oven does not operate properly, contact Wolf Factory Certified Service. Do not attempt to repair the oven. Wolf is not responsible for service required to correct a faulty installation.



WOLF APPLIANCE, INC. P.O. BOX 44848 MADISON, WI 53744 WOLFAPPLIANCE.COM 800.222.7820

9015787 REV-A

8/2020

