

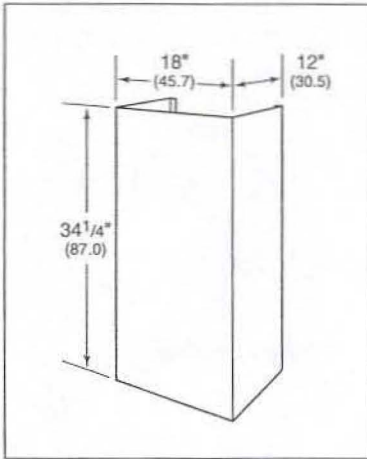
FLUE EXTENSIONS

• Flue Extensions for use with CTWH (801635)

STEP 1: Installation

IMPORTANT NOTE: This kit is sized to accommodate 9 to 10-foot ceiling heights.

- 1) Replace the upper flue section (supplied with hood) with the one present in this kit.
- 2) Follow hood installation instructions for affixing flue to ceiling and hood top.



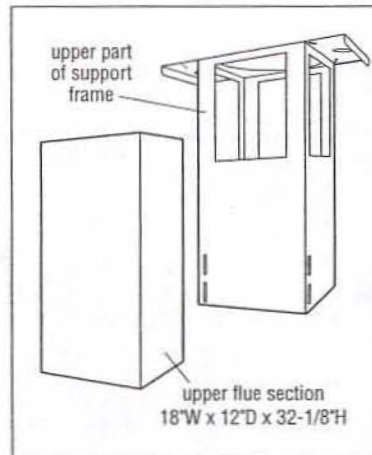
Flue extension for chimney wall hood

Flue Extensions for use with IH4227 (801639)

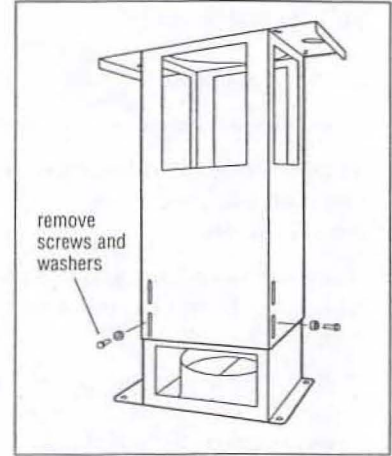
STEP 1: Installation

IMPORTANT NOTE: This kit is sized to accommodate 9 to 10-foot ceiling heights.

- 1) Replace the upper part of the hood support frame and the upper flue section (supplied with hood) with parts present in this kit.
- 2) Separate the two parts of the support frame by removing four screws and four washers.
- 3) Replace the upper part of the support frame.
- 4) Follow hood installation instructions for affixing the support frame to ceiling and hood top.



Flue extension for chimney island hood



Flue extension installation for island hood