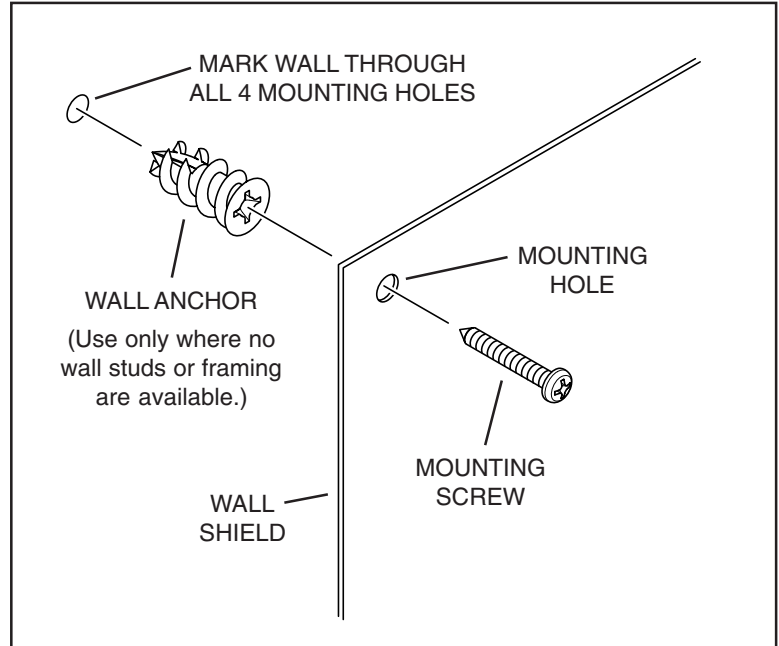


WALL SHIELDS

INSTALLATION INSTRUCTIONS

1. Determine location for **WALL SHIELD**.
2. Hold wall shield in place and carefully mark **WALL** through all 4 **MOUNTING HOLES**.
3. Determine whether wall studs or framing are behind any of the 4 marks on the wall.
4. If studs or framing are behind wall marks: Use the 4 **MOUNTING SCREWS** to attach the wall shield directly to studs or framing. Do not over-tighten.
5. If no studs or framing are behind wall marks: Drill **WALL ANCHORS** directly into wall material (no pilot hole is necessary). Then mount wall shield with 4 mounting screws. Do not over-tighten.

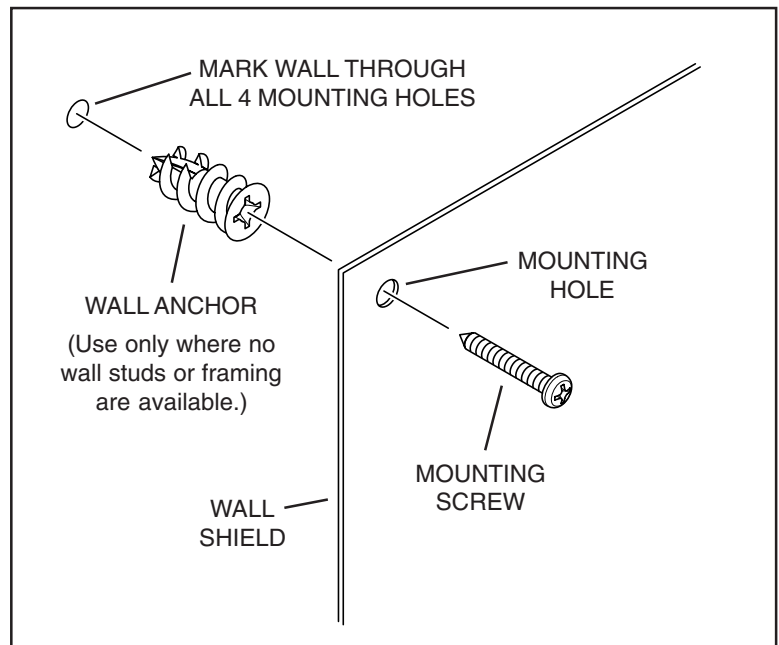


99043119A

WALL SHIELDS

INSTALLATION INSTRUCTIONS

1. Determine location for **WALL SHIELD**.
2. Hold wall shield in place and carefully mark **WALL** through all 4 **MOUNTING HOLES**.
3. Determine whether wall studs or framing are behind any of the 4 marks on the wall.
4. If studs or framing are behind wall marks: Use the 4 **MOUNTING SCREWS** to attach the wall shield directly to studs or framing. Do not over-tighten.
5. If no studs or framing are behind wall marks: Drill **WALL ANCHORS** directly into wall material (no pilot hole is necessary). Then mount wall shield with 4 mounting screws. Do not over-tighten.



99043119A