

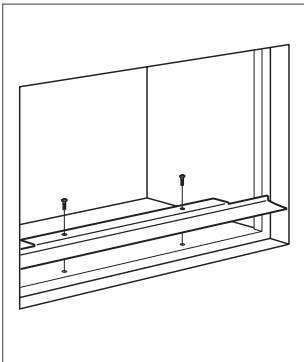


Contents

AIR DEFLECTOR	
1	Deflector, air
2	Screws, #8 x 3/8"
1	Instructions

Installation

- 1 Remove protective material from air deflector.
- 2 Place the deflector in the opening. Refer to the illustration below.
- 3 Drill $\frac{3}{32}$ " (2) pilot holes, then secure with the two screws provided.



Deflector installation.

