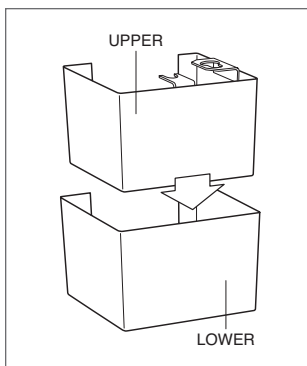


Contents

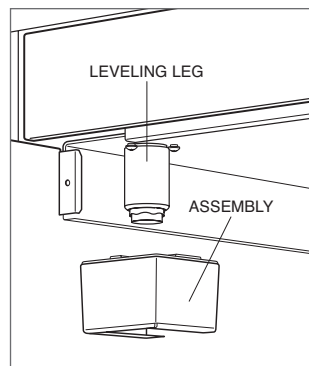
LEG COVERS	
3	Cover, Upper
3	Cover, Lower
1	Instructions

Gas Range Leg Covers

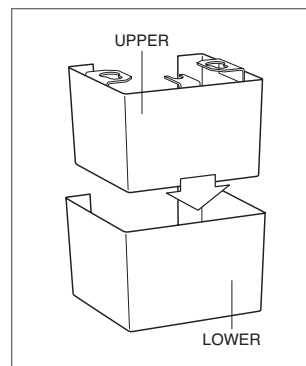
Place the upper leg covers inside the lower covers. Align the center tabs and keyhole slots with the screw heads located next to the leveling legs. Once aligned, slide the assemblies back and into position. The uppers will remain in position and the lowers will slide down and rest on the finished flooring. For 48" and 60" models, repeat the process for the center leveling leg. Refer to the illustrations below.



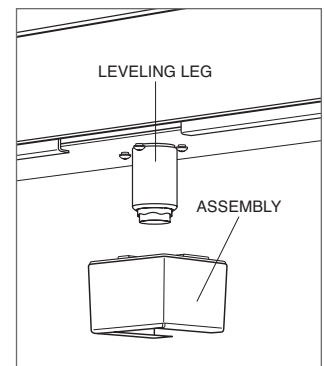
Leg cover assembly.



Assembly position.



Leg cover assembly (center).



Assembly position (center).

